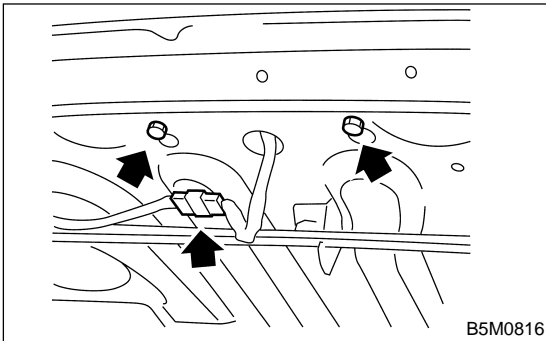


## 25. Rear Shelf Trim S911361

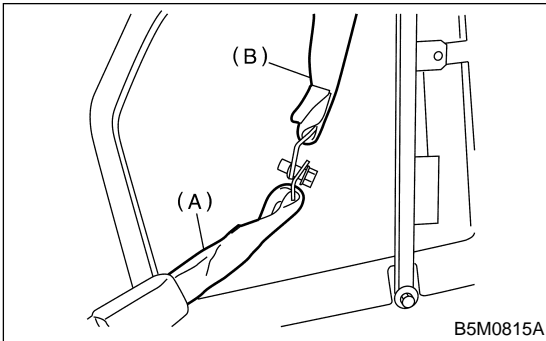
### A: REMOVAL S911361A18

1) Remove high-mounted stop light.

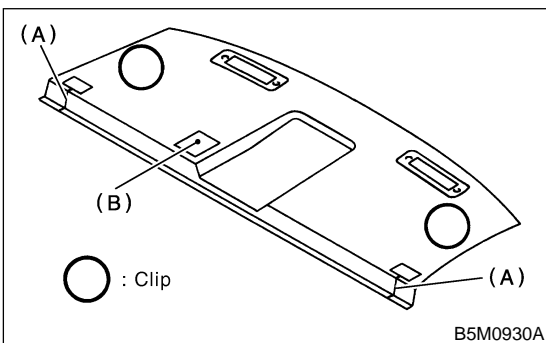


2) Remove rear seat backrest. <Ref. to SE-16 REMOVAL, Rear Seat.>

3) Remove inner seat belt RH, then disconnect inner seat belt RH (A) and outer seat belt center (B).



4) Detach rear shelf trim through each rear outer seat belt from slits (A) and hole (B) of rear shelf trim.



### B: INSTALLATION S911361A11

Install in the reverse order of removal.