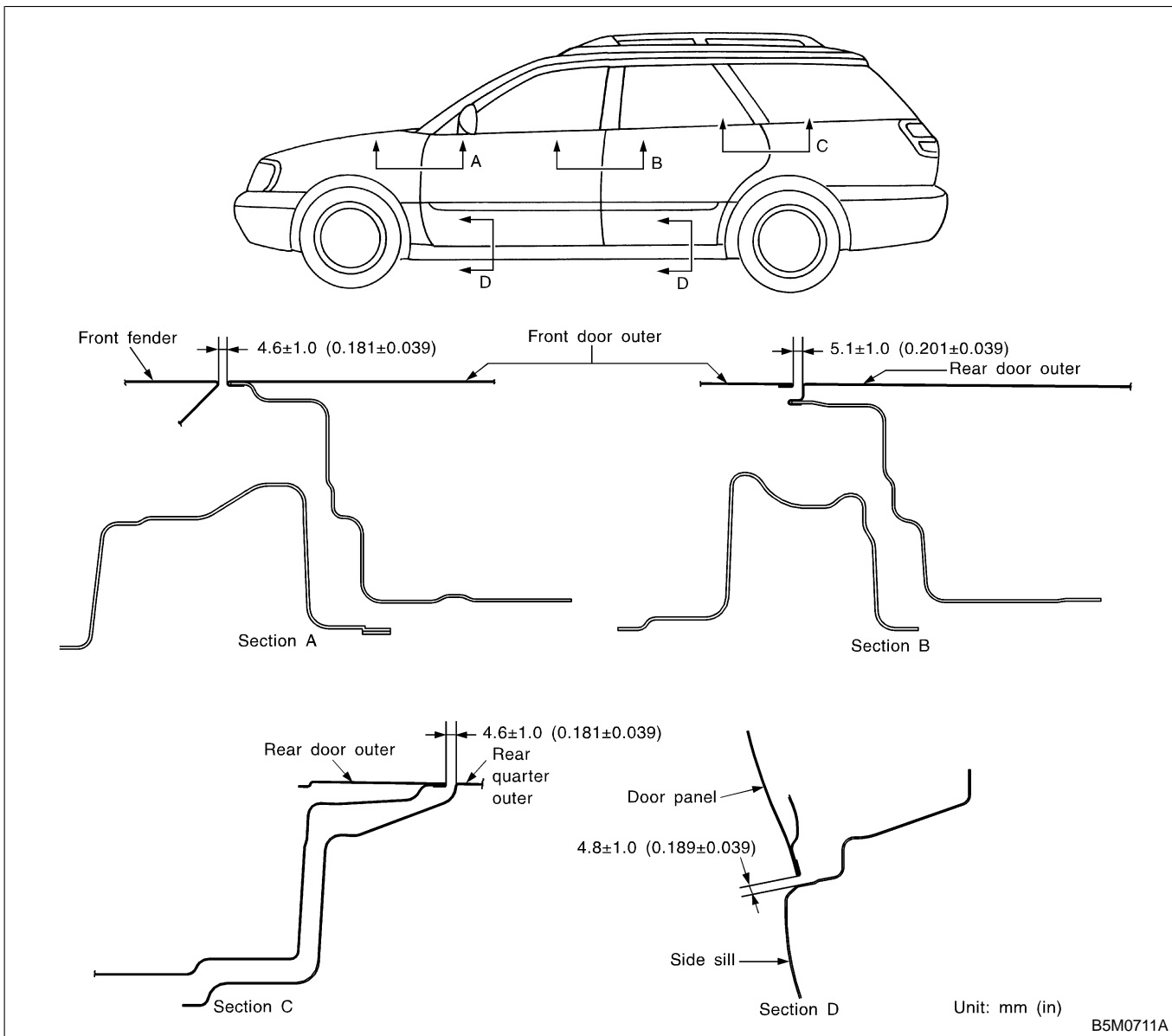


GENERAL DESCRIPTION

Exterior Body Panels

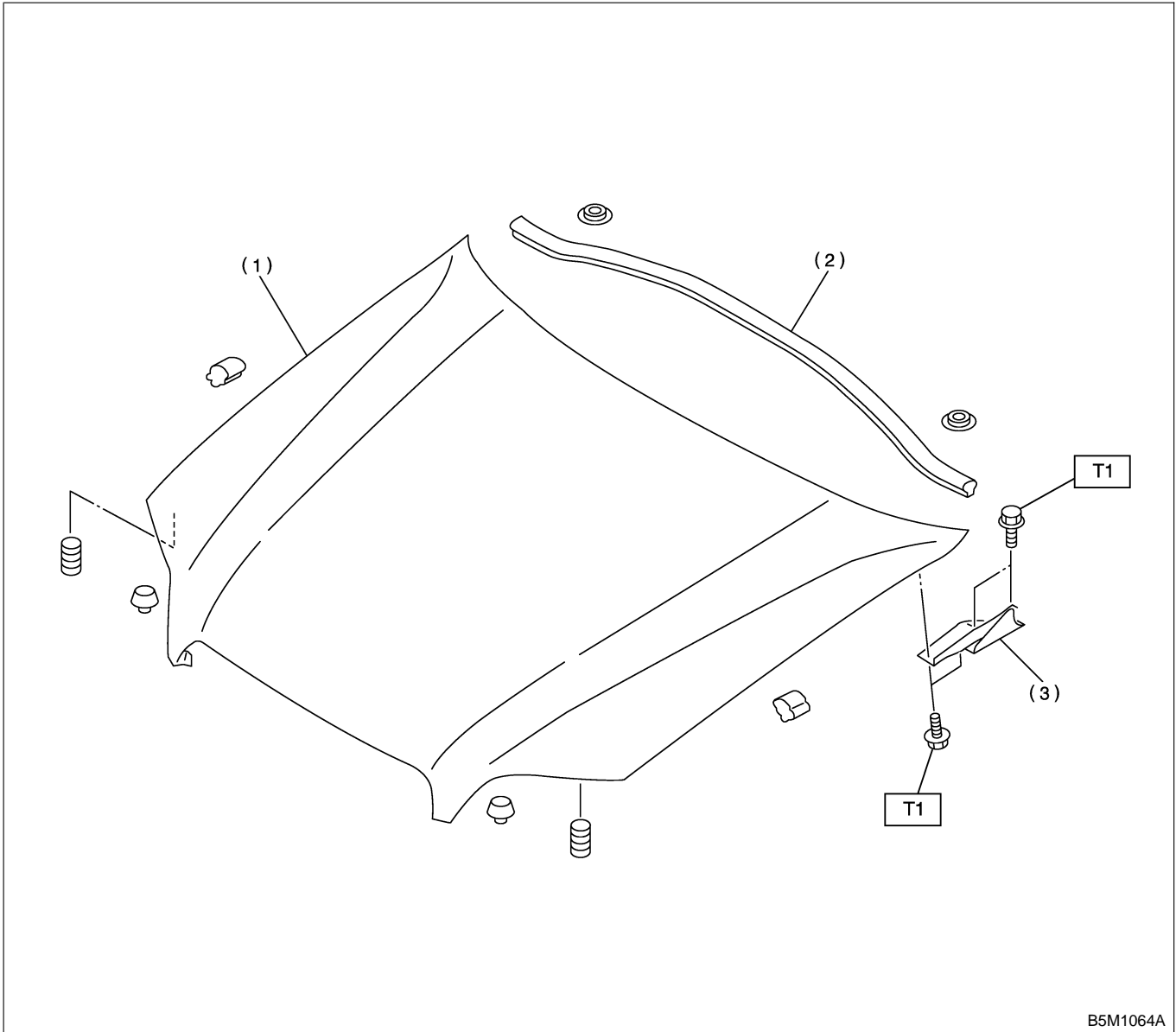
1. General Description S913001

A: SPECIFICATIONS S913001E49



B: COMPONENT S913001A05

1. FRONT HOOD S913001A0501



- (1) Front hood
- (2) Seal (Front hood)

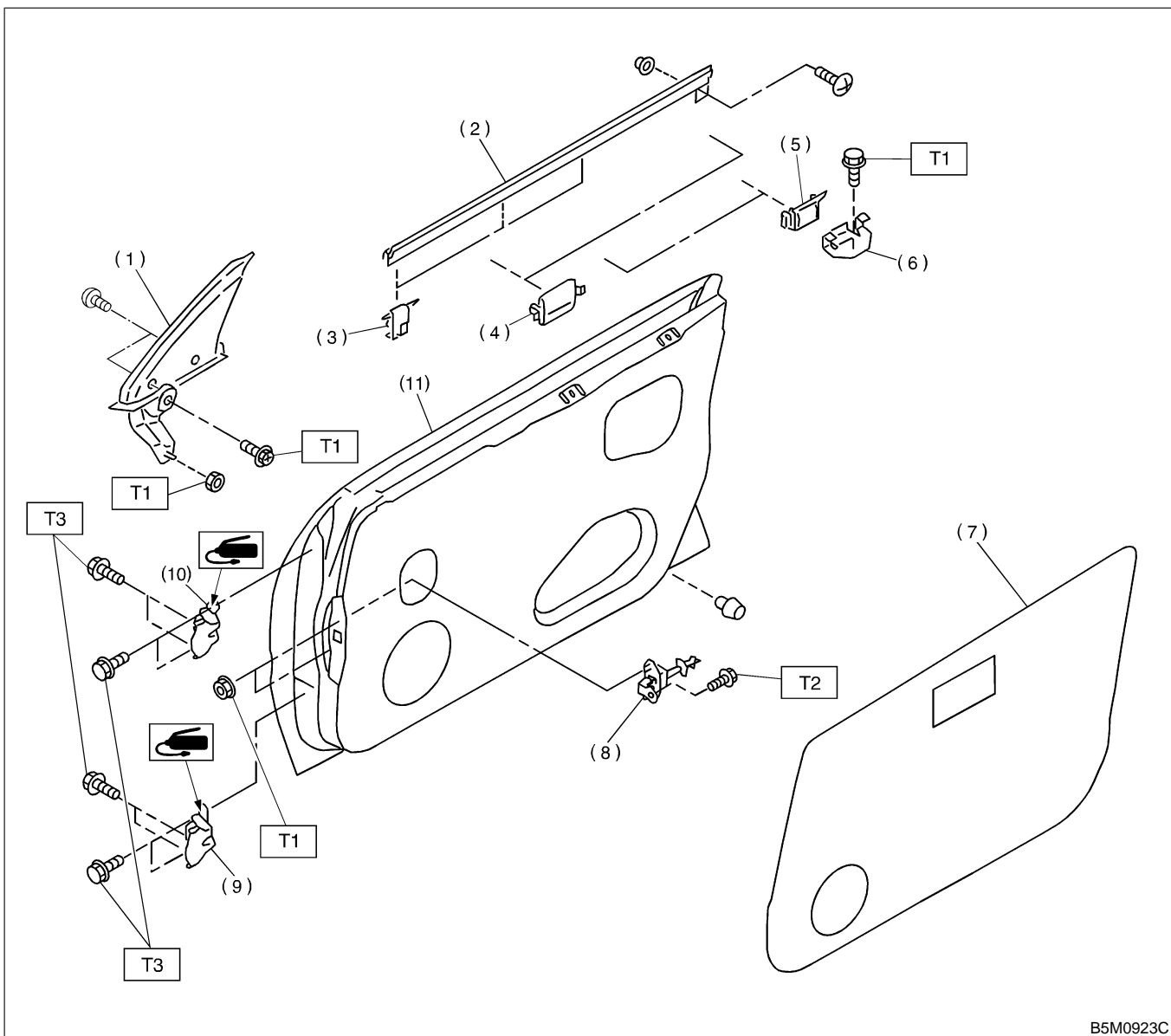
- (3) Hinge

Tightening torque: N-m (kgf-m, ft-lb)
T1: 24.5 (2.50, 18.1)

GENERAL DESCRIPTION

Exterior Body Panels

2. FRONT DOOR PANEL S913001A0502



- | | |
|-------------------------|-------------------|
| (1) Gusset | (7) Sealing cover |
| (2) Weatherstrip | (8) Checker |
| (3) Clip (Weatherstrip) | (9) Lower hinge |
| (4) Stabilizer (Lifter) | (10) Upper hinge |
| (5) Stabilizer (Outer) | (11) Door panel |
| (6) Stabilizer (Inner) | |

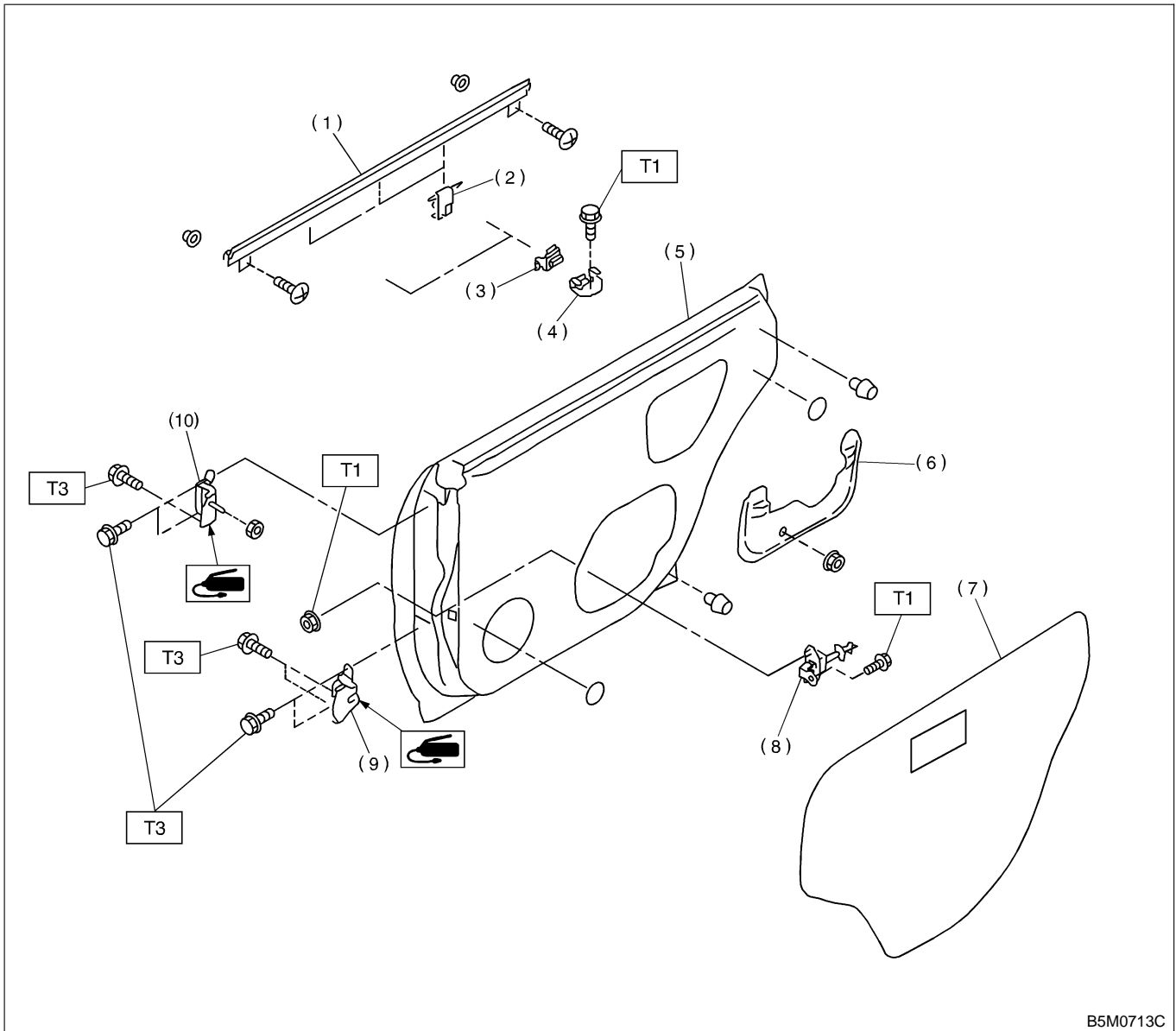
Tightening torque: N-m (kgf-m, ft-lb)

T1: 7.4 (0.75, 5.4)

T2: 18 (1.8, 13.0)

T3: 30 (3.1, 22.4)

3. REAR DOOR PANEL S913001A0503



B5M0713C

- | | |
|-------------------------|-------------------|
| (1) Weatherstrip | (7) Sealing cover |
| (2) Clip (Weatherstrip) | (8) Checker |
| (3) Stabilizer (Outer) | (9) Lower hinge |
| (4) Stabilizer (Inner) | (10) Upper hinge |
| (5) Door panel | |
| (6) Plate | |

Tightening torque: N-m (kgf-m, ft-lb)

T1: 7.4 (0.75, 5.4)

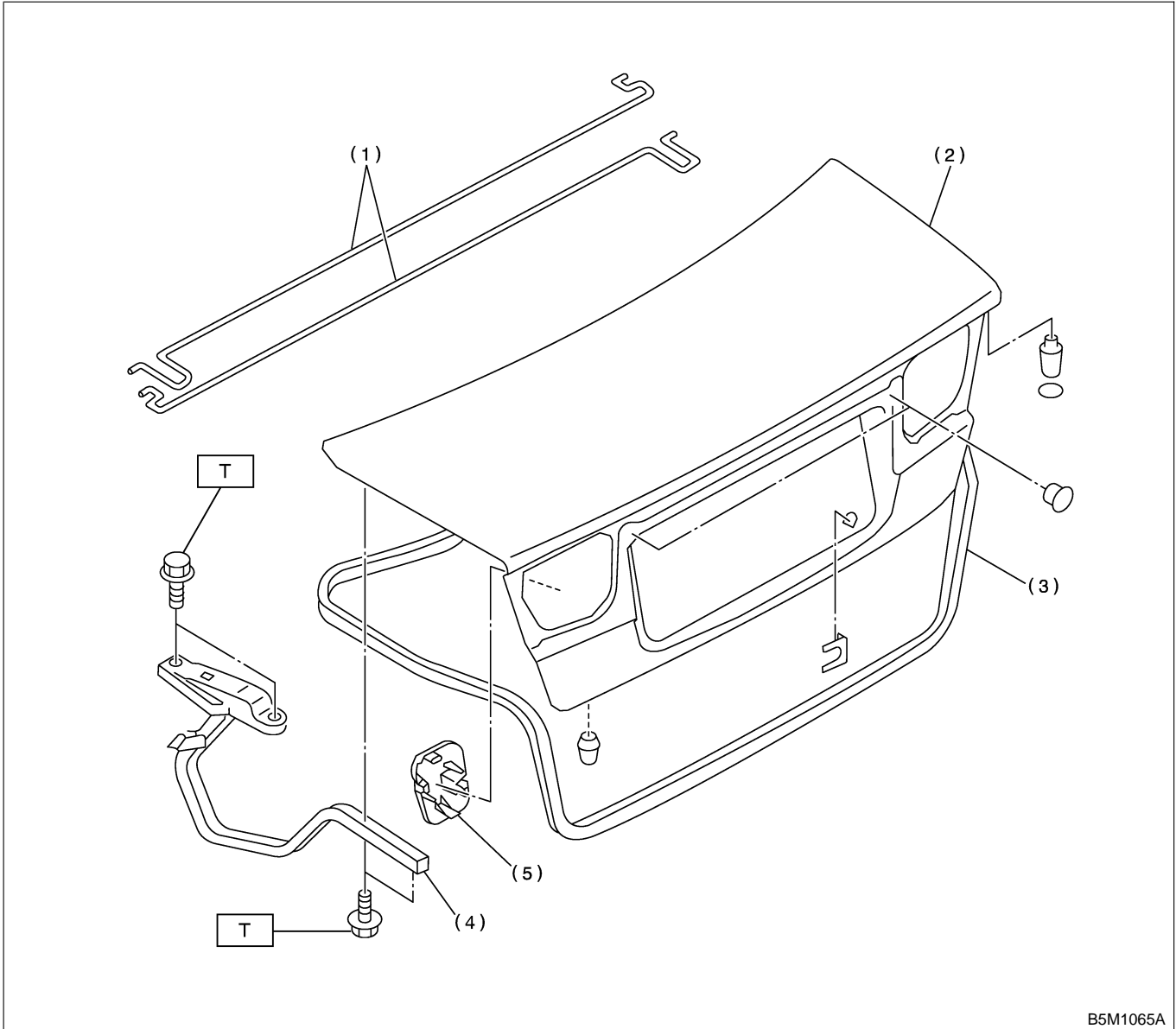
T2: 18 (1.8, 13.0)

T3: 30 (3.1, 22.4)

GENERAL DESCRIPTION

Exterior Body Panels

4. TRUNK LID PANEL SR13001A0504

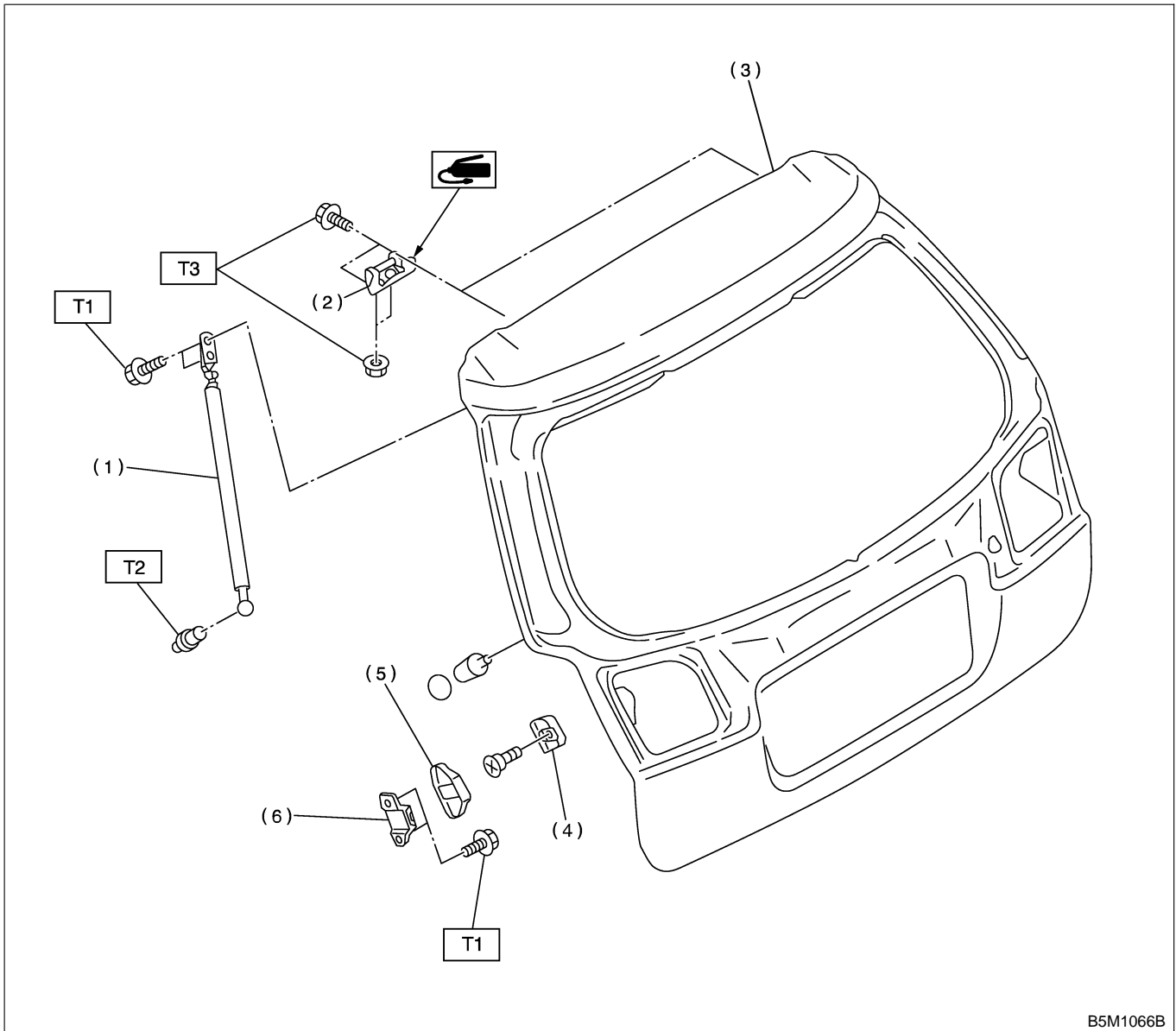


- (1) Torsion bar
- (2) Trunk lid
- (3) Weatherstrip

- (4) Hinge ASSY
- (5) Cover

Tightening torque: N·m (kgf·m, ft·lb)
T: 18 (1.8, 13.0)

5. REAR GATE PANEL S913001A0505



- (1) Gas stay
- (2) Hinge
- (3) Rear gate
- (4) Buffer (Rear gate)
- (5) Buffer cover
- (6) Buffer (Back door)

Tightening torque: N-m (kgf-m, ft-lb)

T1: 7.4 (0.75, 5.4)

T2: 14 (1.4, 10.1)

T3: 25 (2.5, 18.1)

GENERAL DESCRIPTION

Exterior Body Panels

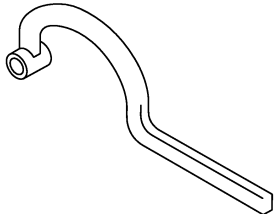
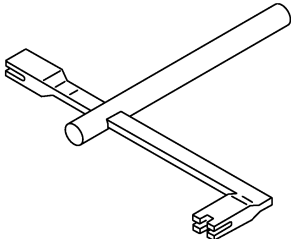
C: CAUTION S913001A03

● Exterior body panels are heavy. Do not drop and damage the panels. During removal and installation, do not damage the panel painting surface.

- While removing mounting bolts, using assistance devices such as a support jack will help support the panel.
- Be careful not to lose small parts.

D: PREPARATION TOOL S913001A17

1. SPECIAL TOOLS S913001A1701

ILLUSTRATION	TOOL NUMBER	DESCRIPTION	REMARKS
 B5M1117	925610000	WRENCH	Used for removing and installing door hing.
 B5M1118	927780000	REMOVER	Used for removing and installing trunk torsion bar.

2. GENERAL TOOL S913001A1702

TOOL NAME	REMARKS
Support Jack	Used for supporting door panel.