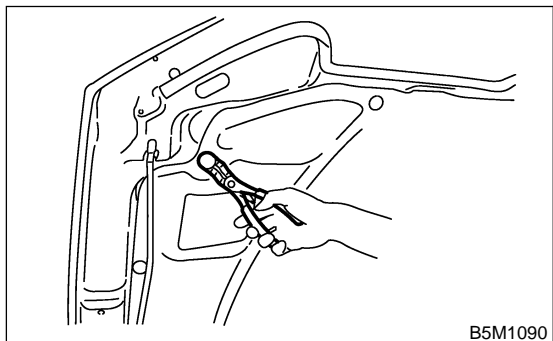


2. Front Hood S913367

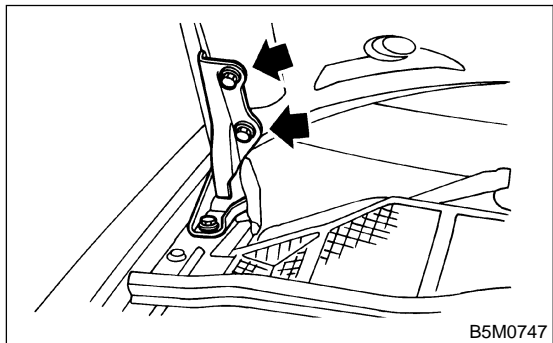
A: REMOVAL S913367A18

- 1) Open front hood to remove washer nozzles.
- 2) Remove clips to remove hood insulator.



B5M1090

- 3) Remove bolts to disconnect hood from hinges.



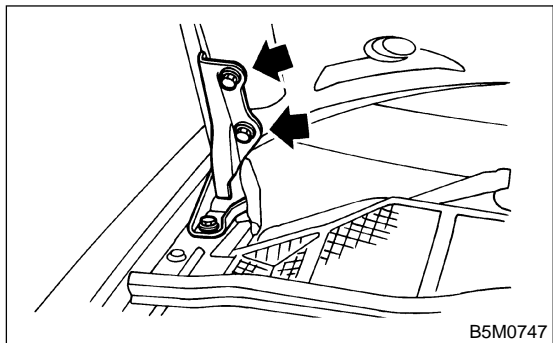
B5M0747

B: INSTALLATION S913367A11

- 1) Install in the reverse order of removal.
- 2) Adjust clearance between hood and fender. Clearance must be equal at both sides.

C: ADJUSTMENT S913367A01

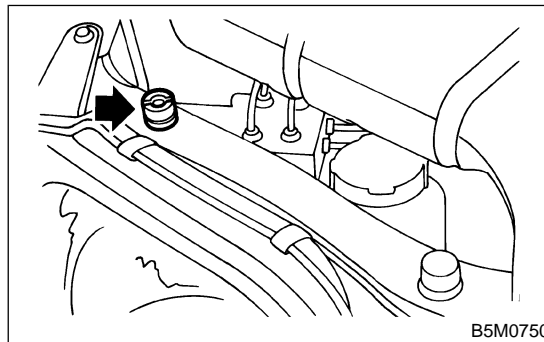
- 1) Use hinge mounting holes to align front hood longitudinally and laterally.



B5M0747

- 2) Adjust height at front end of hood. <Ref. to SL-46 ADJUSTMENT, Front Hood Lock Assembly.>

- 3) Rotate hood buffer to adjust lateral height.



B5M0750