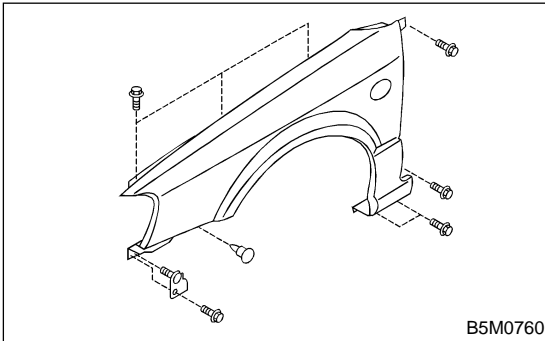


3. Fender Panel S913368

A: REMOVAL S913368A18

- 1) Disconnect ground (-) cable from battery.
- 2) Remove side spoilers. <Ref. to EI-29 Side Sill Spoiler.> (If fitted)
- 3) Remove side protectors and fender protectors. (OUTBACK)
- 4) Remove front bumper face. <Ref. to EI-14 REMOVAL, Front Bumper.>
- 5) Remove headlights. <Ref. to LI-25 REMOVAL, Headlight Assembly.>
- 6) Remove mud guard. <Ref. to EI-23 REMOVAL, Mud Guard.>
- 7) Remove bolts and clips to remove front fender.



B: INSTALLATION S913368A11

- 1) Install in the reverse order of removal.
- 2) When fender panel is installed, clearance between fender panel and hood or front fender must be equal.