

## 4. Speedometer S907608

### A: REMOVAL S907608A18

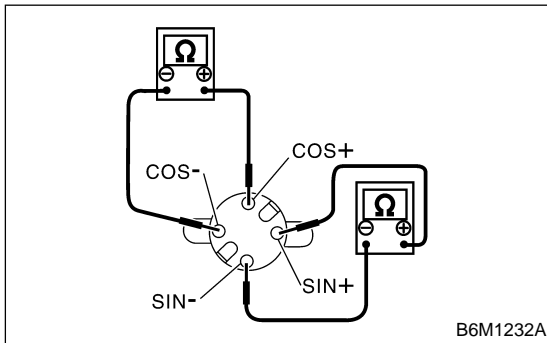
Disassemble combination meter, and then remove speedometer and fuel gauge assembly. <Ref. to IDI-17 DISASSEMBLY, Combination Meter Assembly.>

### B: INSTALLATION S907608A11

Install in the reverse order of removal.

### C: INSPECTION S907608A10

Measure resistance between speedometer terminals.



Tester connection	Resistance
Terminals SIN+ —SIN—	200±8 Ω
Terminals COS+ —COS—	200±8 Ω

If NG, replace speedometer and fuel gauge assembly.

If OK, replace combination meter printed circuit.