

## 5. Tachometer S907609

### A: REMOVAL S907609A18

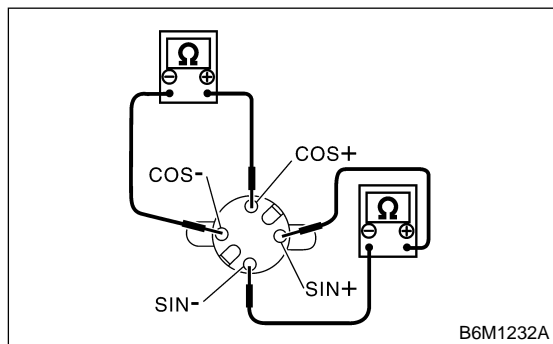
Disassemble combination meter, and then remove tachometer and water temperature gauge assembly.<Ref. to IDI-17 DISASSEMBLY, Combination Meter Assembly.>

### B: INSTALLATION S907609A11

Install in the reverse order of removal.

### C: INSPECTION S907609A10

Measure resistance between tachometer terminals.



Tester connection	Resistance
Terminals SIN+ —SIN—	200±8 Ω
Terminals COS+ —COS—	200±8 Ω

If NG, replace tachometer and water temperature gauge assembly.

If OK, replace combination meter printed circuit.