

## 6. Fuel Gauge S907610

### A: REMOVAL S907610A18

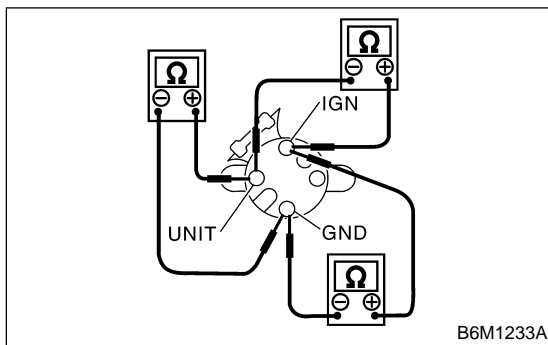
Disassemble combination meter, and then remove speedometer and fuel gauge assembly. <Ref. to IDI-17 DISASSEMBLY, Combination Meter Assembly.>

### B: INSTALLATION S907610A11

Install in the reverse order of removal.

### C: INSPECTION S907610A10

Measure resistance between fuel gauge terminals.



Tester connection	Resistance
Terminals IGN — GND	170±10 Ω
Terminals IGN — UNIT	35±10 Ω
Terminals UNIT — GND	136±10 Ω

If NG, replace speedometer and fuel gauge assembly.

If OK, replace combination meter printed circuit.