

# WATER TEMPERATURE GAUGE

Instrumentation/Driver Info

## 7. Water Temperature Gauge S907611

### A: REMOVAL S907611A18

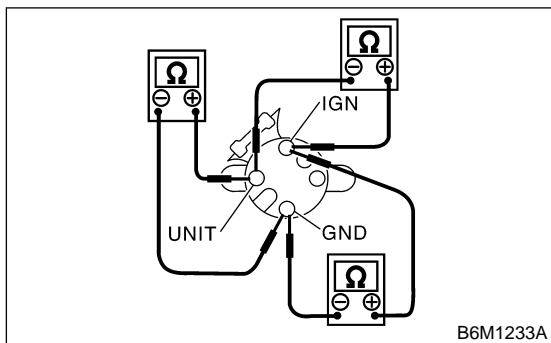
Disassemble combination meter, and then remove tachometer and water temperature gauge assembly. <Ref. to IDI-17 DISASSEMBLY, Combination Meter Assembly.>

### B: INSTALLATION S907611A11

Install in the reverse order of removal.

### C: INSPECTION S907611A10

Measure resistance between fuel gauge terminals.



Tester connection	Resistance
Terminals IGN — GND	208±10 Ω
Terminals IGN — UNIT	56±10 Ω
Terminals UNIT — GND	264±10 Ω

If NG, replace tachometer and water temperature gauge assembly.

If OK, replace combination meter printed circuit.