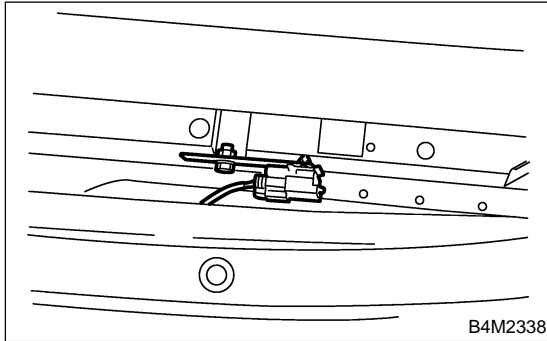


## 8. Ambient Sensor S907644

### A: REMOVAL S907644A18

- 1) Open front hood.
- 2) Disconnect ground cable from battery.
- 3) Disconnect ambient sensor connector.
- 4) Remove ambient sensor from radiator lower panel.

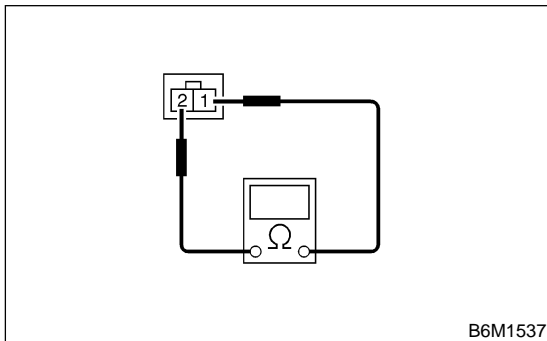


### B: INSTALLATION S907644A11

Install in the reverse order of removal.

### C: INSPECTION S907644A10

Measure resistance between ambient sensor terminals.



Tester connection	Resistance
1 — 2	2.2 kΩ/25°C (77°F)

If NG, replace the ambient sensor.

# AMBIENT SENSOR

Instrumentation/Driver Info

---

**MEMO:**