

TURN SIGNAL AND HAZARD LIGHT SYSTEM

Lighting System

4. Turn Signal and Hazard Light System

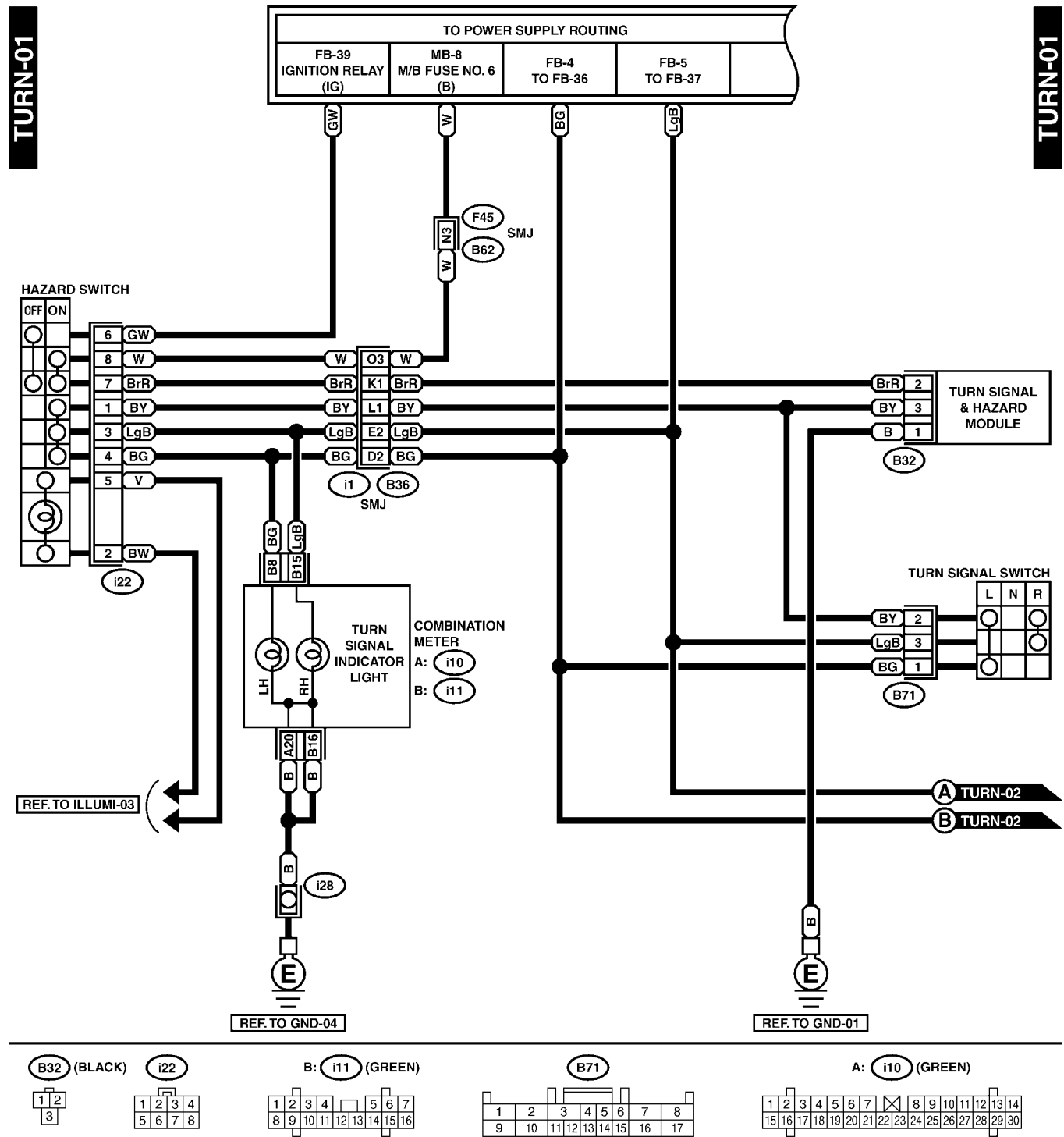
S914481

A: SCHEMATIC

S914481A21

1. TURN SIGNAL LIGHT AND HAZARD LIGHT

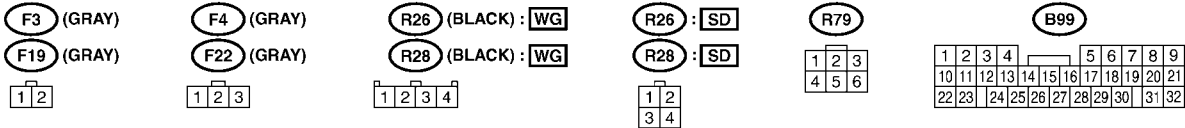
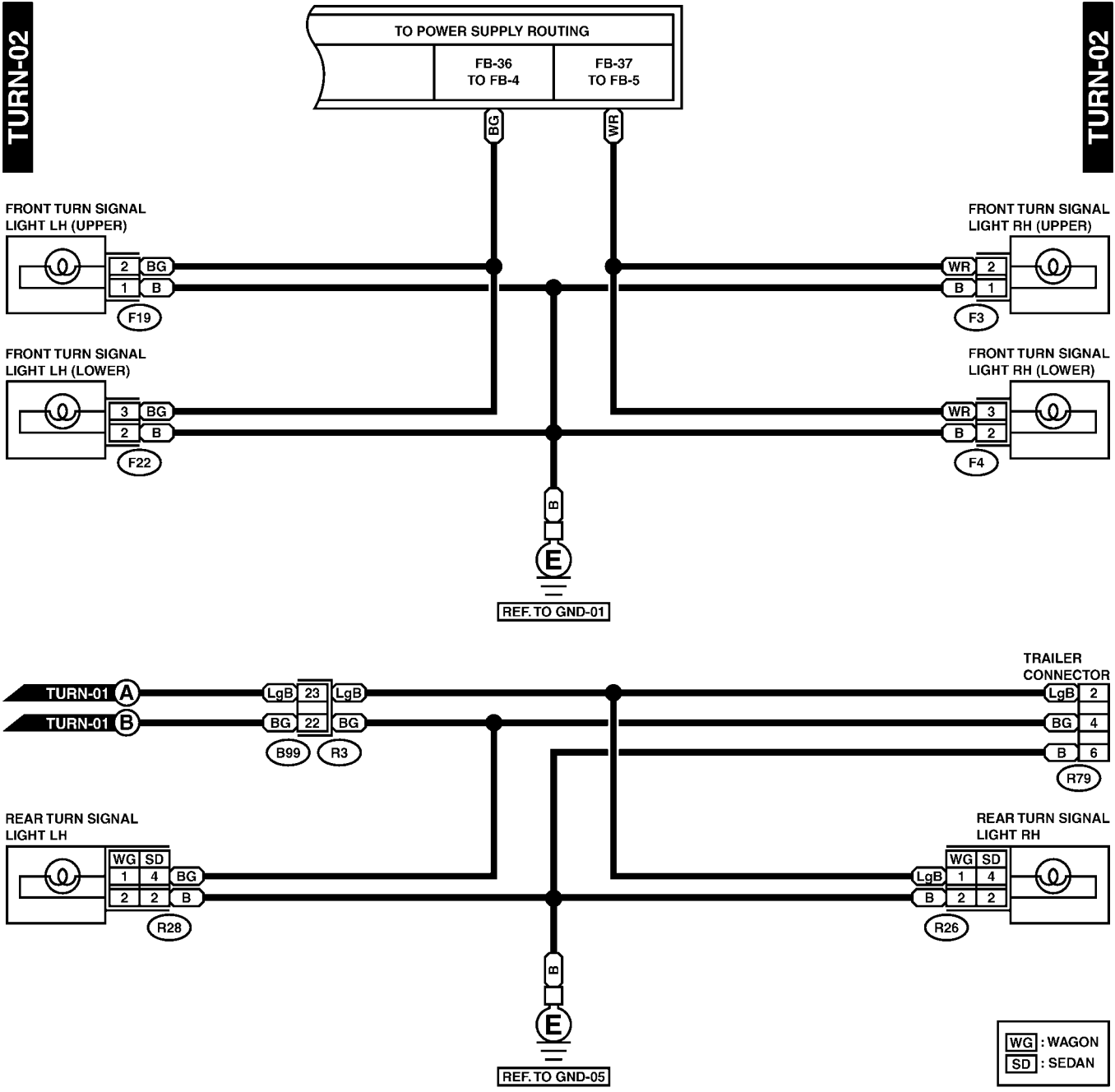
S914481A2101



BU26-21A

TURN SIGNAL AND HAZARD LIGHT SYSTEM

Lighting System



BU26-21B

TURN SIGNAL AND HAZARD LIGHT SYSTEM

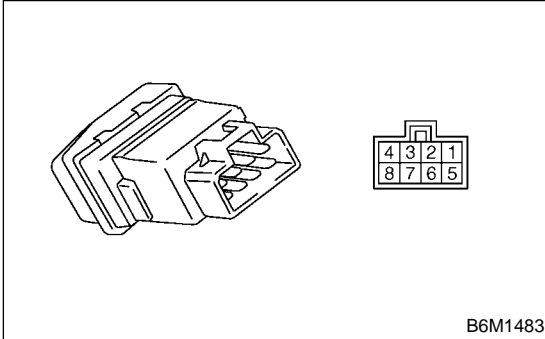
Lighting System

B: INSPECTION S914481A10

1. TURN SIGNAL SWITCH S914481A1001

<Ref. to LI-24 INSPECTION, Combination Switch (Light).>

2. HAZARD SWITCH S914481A1002

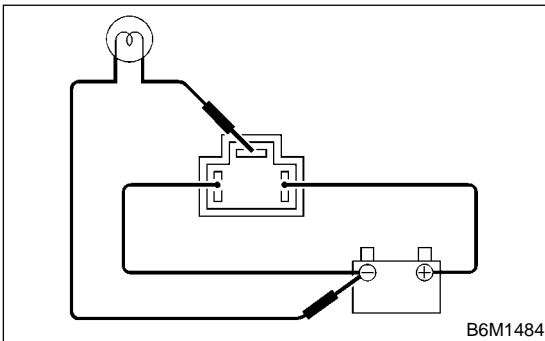


Check continuity between terminals when operating the switch.

Switch position	Tester connection	Specified condition
OFF	6 - 7	Continuity
ON	1 - 3 - 4, 7 - 8	Continuity

3. TURN SIGNAL & HAZARD MODULE

S914481A1003



Connect battery and turn signal light bulb to the module, as shown in the figure. The module is properly functioning if it blinks when power is supplied to the circuit.