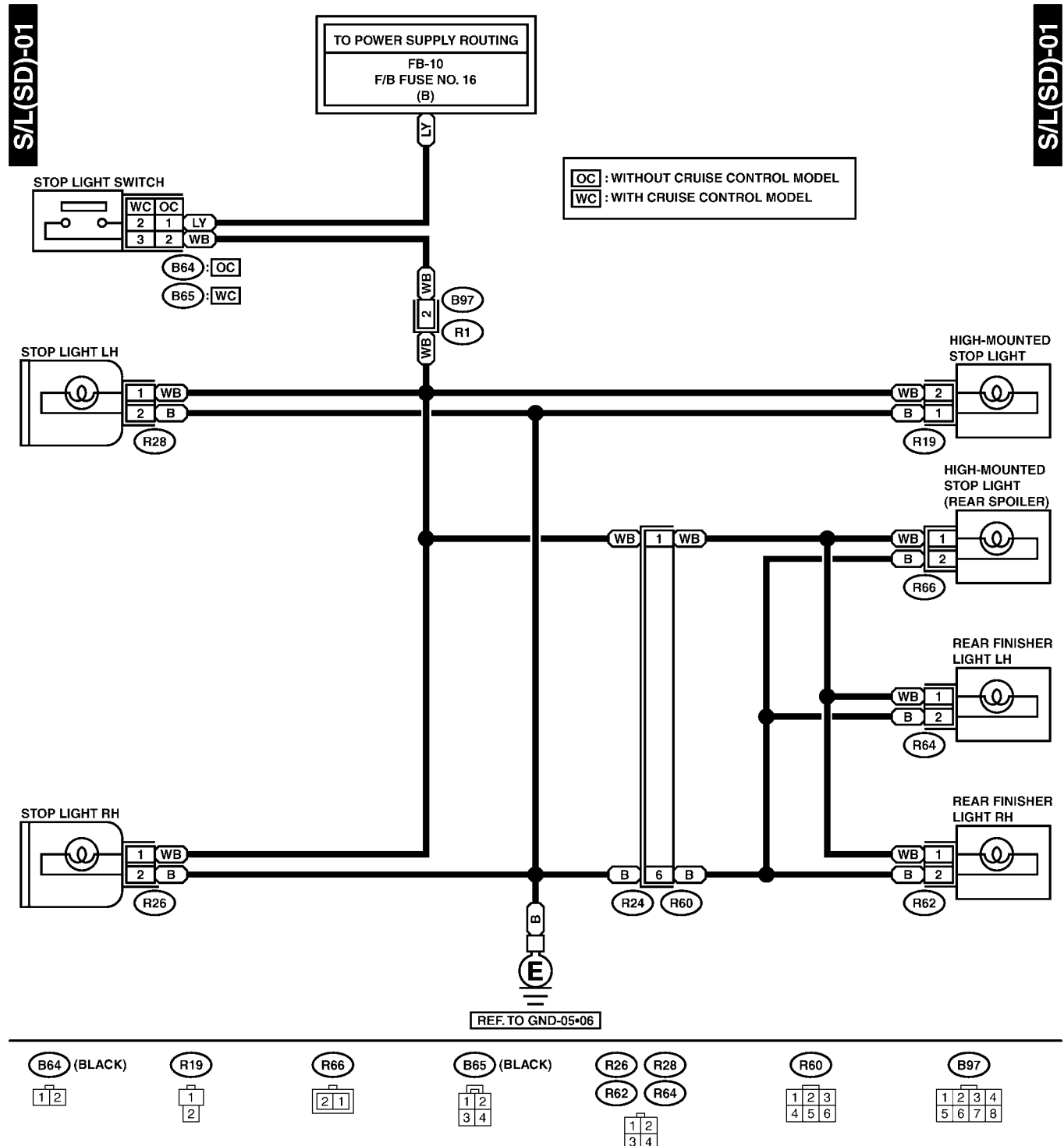


6. Stop Light System S914417

A: SCHEMATIC S914417A21

1. STOP LIGHT SEDAN MODEL S914417A2101



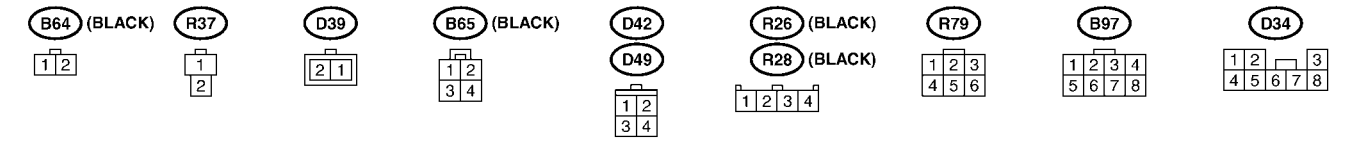
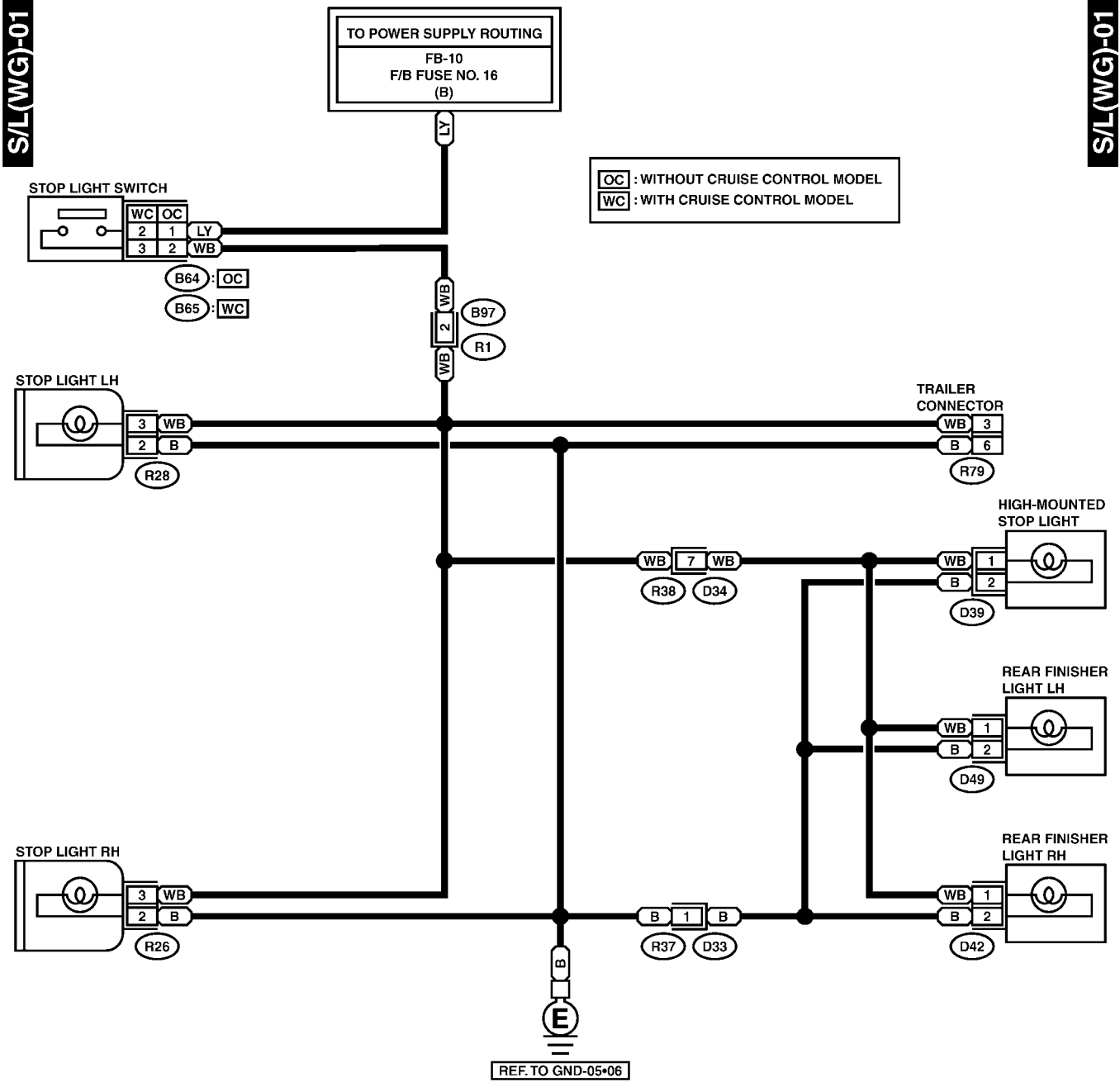
STOP LIGHT SYSTEM

Lighting System

2. STOP LIGHT WAGON MODEL SR14417A2102

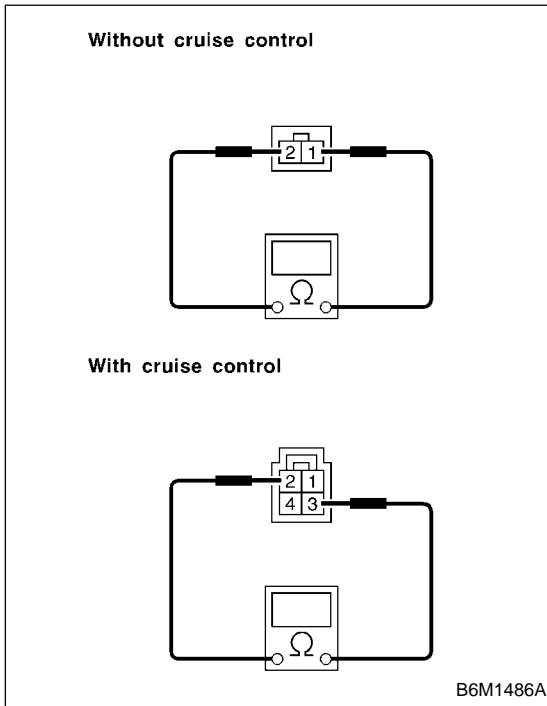
S/L(WG)-01

S/L(WG)-01



B: INSPECTION S914417A10

1. STOP LIGHT SWITCH S914417A1001



Check continuity between terminals.

Switch position	Tester connection	Specified condition
When brake pedal is depressed	1 - 2: Without cruise control	Continuity
When brake pedal is released	2 - 3: With cruise control	No continuity