

# INTERIOR LIGHT SYSTEM

Lighting System

## 7. Interior Light System

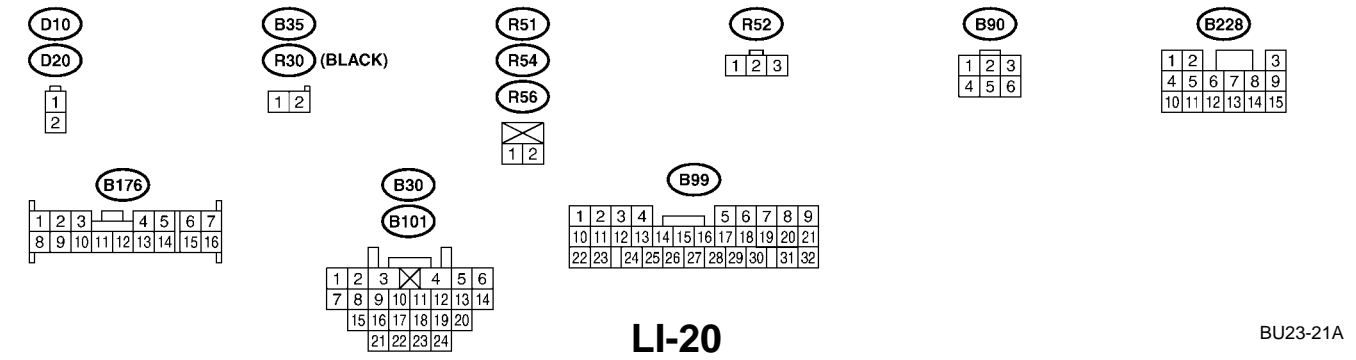
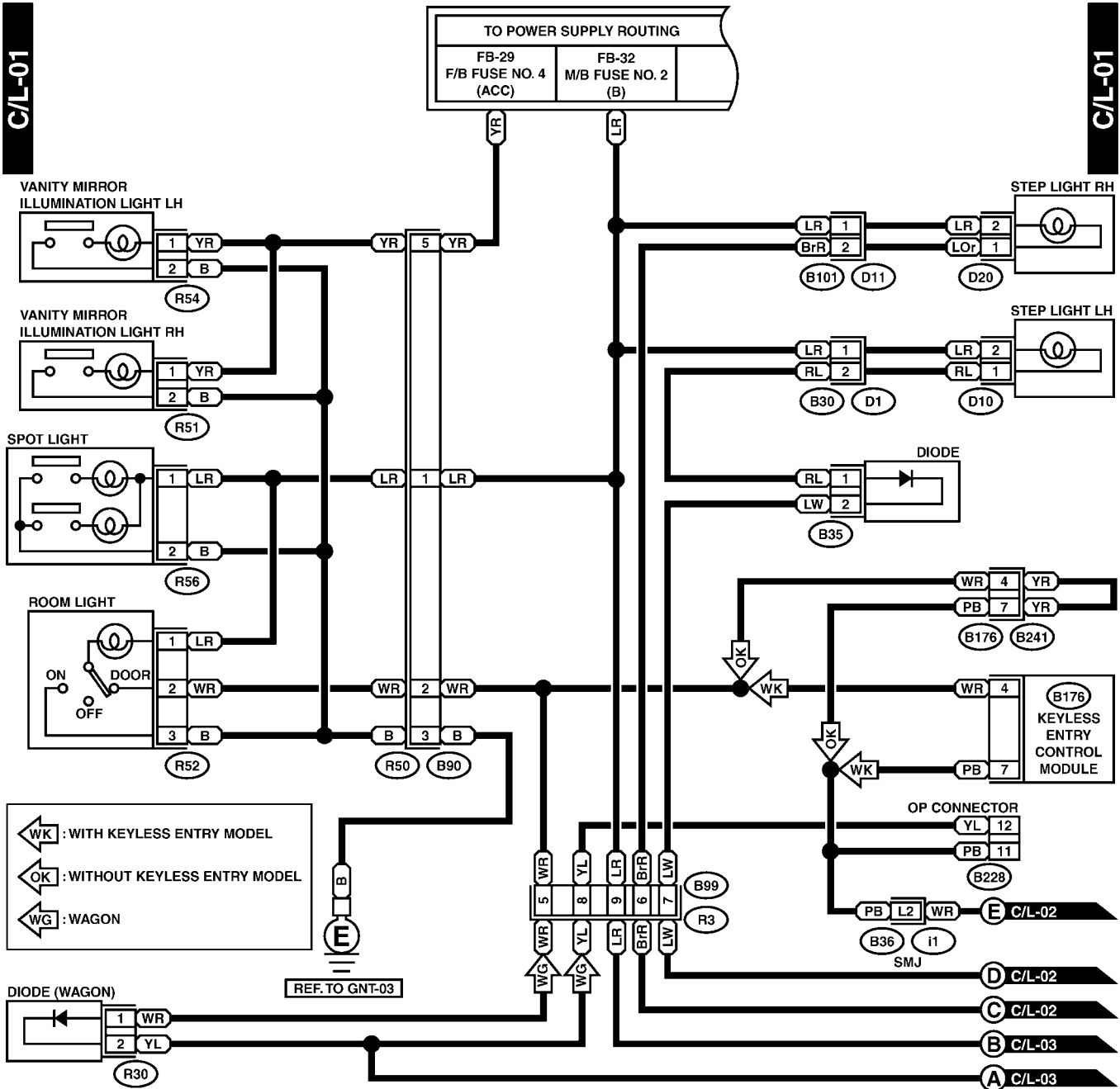
S914418

### A: SCHEMATIC

S914418A21

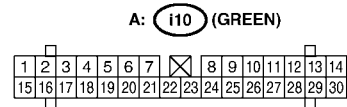
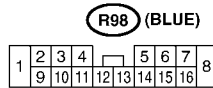
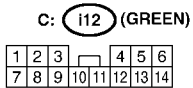
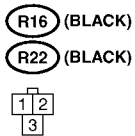
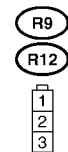
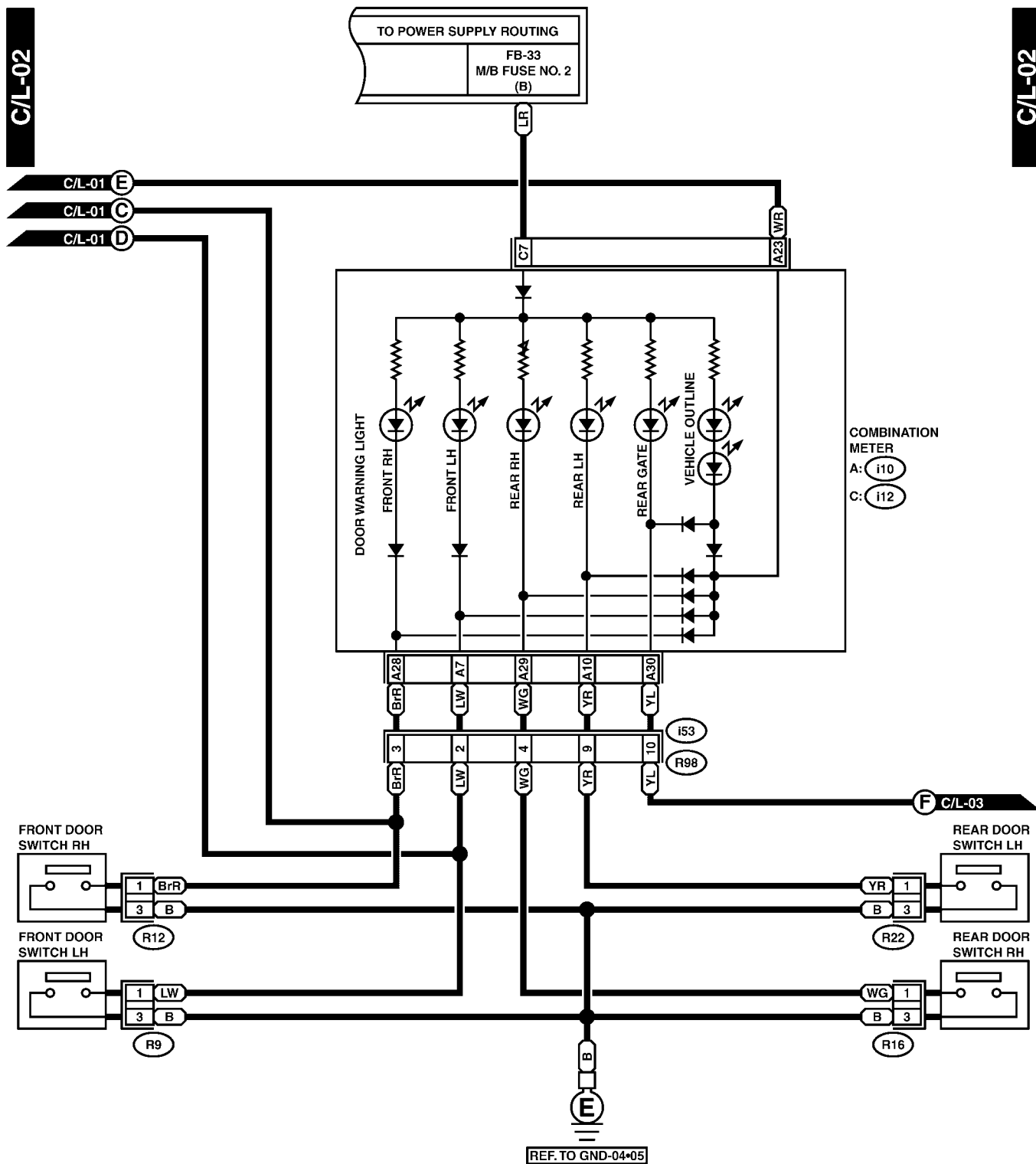
#### 1. INTERIOR LIGHT

S914418A2101



# INTERIOR LIGHT SYSTEM

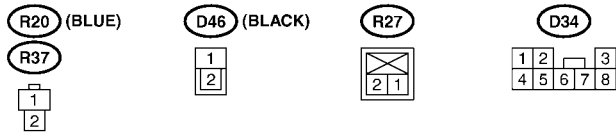
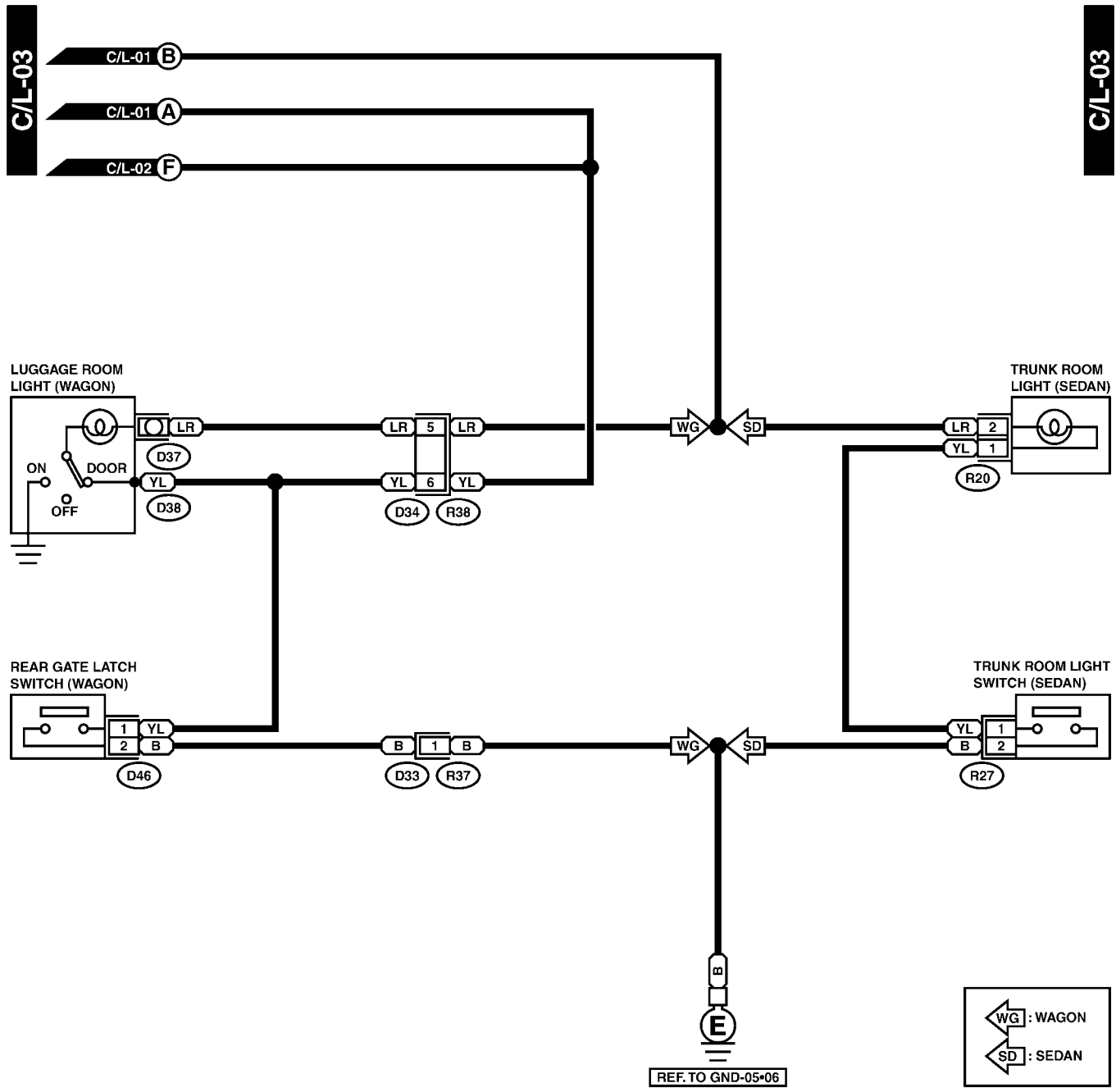
Lighting System



BU23-21B

# INTERIOR LIGHT SYSTEM

Lighting System

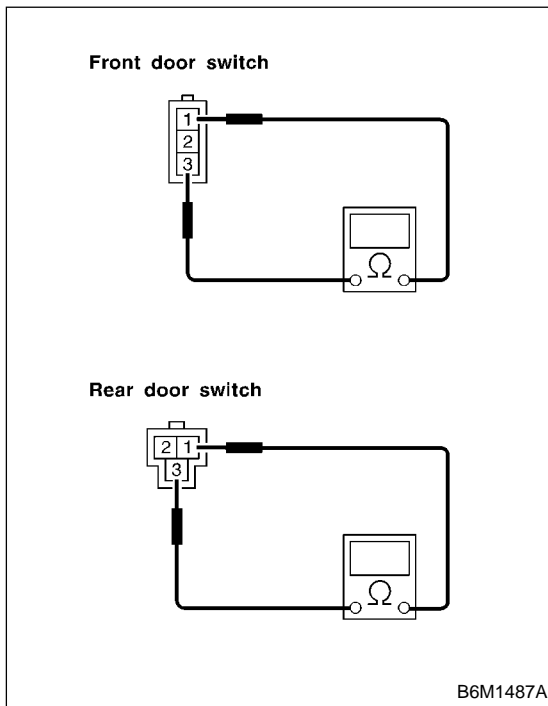


BU23-21C

LI-22

## B: INSPECTION S914418A10

### 1. DOOR SWITCH S914418A1001



Check continuity between terminals.

Switch position	Tester connection	Specified condition
When door is opened	1 - 3	Continuity
When door is closed		No continuity

### 2. REAR GATE LATCH SWITCH S914418A1002

Check continuity between terminals.

Switch position	Tester connection	Specified condition
When rear gate is opened	1 - 2	Continuity
When rear gate is closed		No continuity

### 3. TRUNK ROOM LIGHT SWITCH S914418A1003

Check continuity between terminals.

Switch position	Tester connection	Specified condition
When trunk lid is opened	1 - 2	Continuity
When trunk lid is closed		No continuity