

# COMBINATION SWITCH (LIGHT)

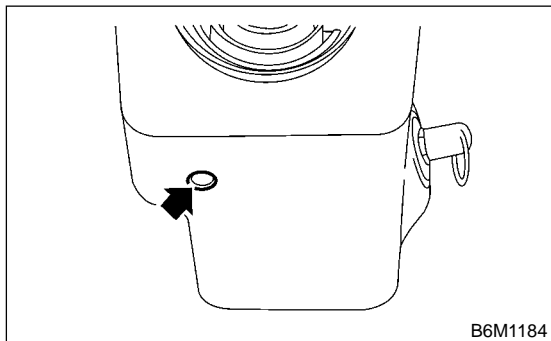
Lighting System

## 8. Combination Switch (Light)

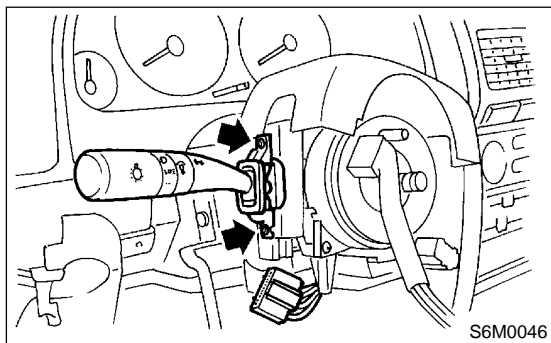
S914411

### A: REMOVAL S914411A18

- 1) Remove instrument panel lower cover. <Ref. to EI-37 REMOVAL, Instrument Panel Assembly.>
- 2) Remove screws which secure upper column cover to lower column cover.



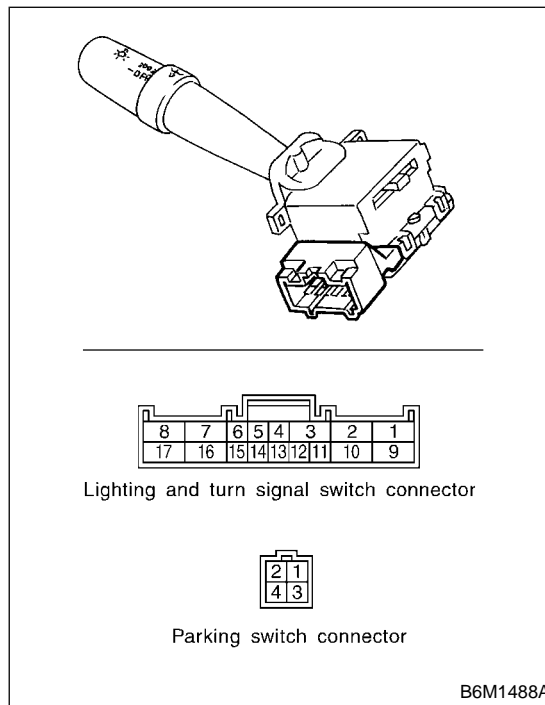
- 3) Disconnect connector from combination switch.
- 4) Remove screws which secure switch and remove switch.



### B: INSTALLATION S914411A11

Install in the reverse order of removal.

## C: INSPECTION S914411A10



Move combination switch to respective positions and check continuity between terminals.

### 1. LIGHTING SWITCH S914411A1001

Switch position	Tester connection	Specified condition
OFF	—	No continuity
Tail	14 - 16	Continuity
Head	13 - 14 - 16	Continuity

### 2. DIMMER AND PASSING SWITCH S914411A1002

Switch position	Tester connection	Specified condition
Passing	7 - 8 - 16	Continuity
Low beam	16 - 17	Continuity
High beam	7 - 16	Continuity

### 3. TURN SIGNAL SWITCH S914411A1003

Switch position	Tester connection	Specified condition
Left	1 - 2	Continuity
Neutral	—	No continuity
Right	2 - 3	Continuity

### 4. PARKING SWITCH S914411A1004

Switch position	Tester connection	Specified condition
OFF	2 - 4	Continuity
ON	1 - 4	Continuity