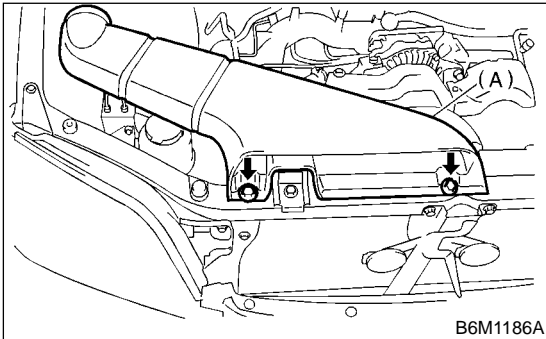


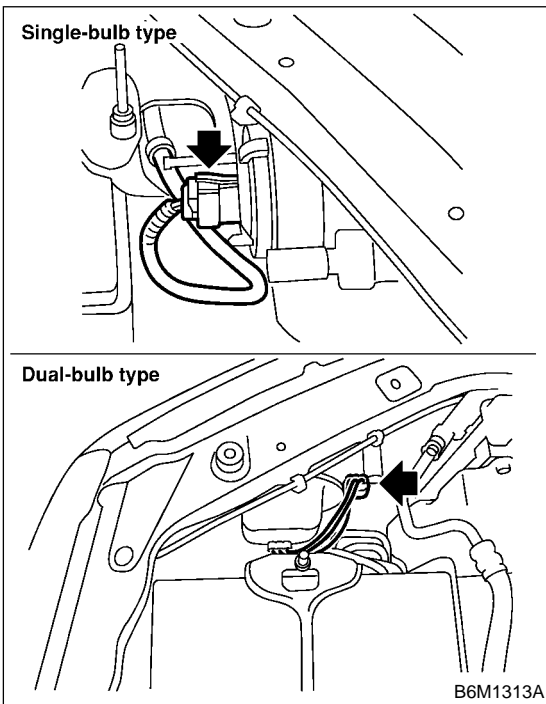
## 9. Headlight Assembly S914409

### A: REMOVAL S914409A18

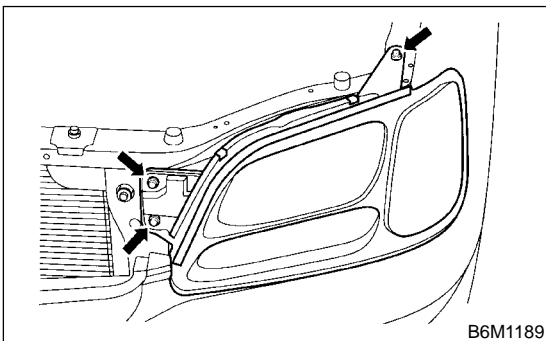
1) Remove duct (A) (when right side headlight is removed).



2) Disconnect headlight bulb connector.



3) Remove three bolts and disconnect connectors, and then detach headlight assembly.



### B: INSTALLATION S914409A11

Install in the reverse order of removal.

### C: ADJUSTMENT S914409A01

#### 1. HEADLIGHT AIMING S914409A0101

##### NOTE:

As this headlight is the "VISUAL AIMING TYPE", it is possible to adjust aiming only in the vertical direction. It cannot be adjusted in the horizontal direction.

##### CAUTION:

Turn off the light before adjusting headlight aiming. If the light is necessary to check aiming, do not turn on for more than two minutes.

##### NOTE:

Before checking the headlight aiming, be sure of the following:

- The area around the headlight has not sustained any accident, damage or other type of deformation.
- Vehicle is parked on level ground.
- The inflation pressure of tires is correct.
- Vehicle's gas tank is fully charged.
- Bounce the vehicle several times to normalize the suspension.
- Make certain that someone is seated in the driver's seat.

# HEADLIGHT ASSEMBLY

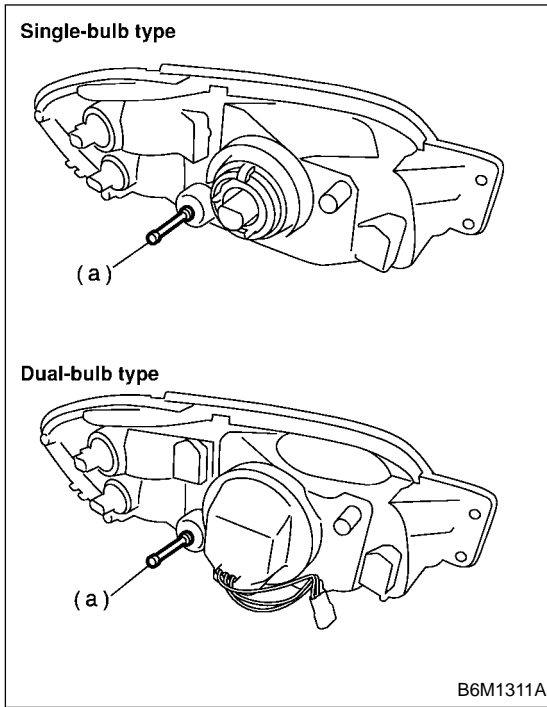
## Lighting System

---

Turn the headlight on and then adjust the low beam pattern to the following positions on the screen.

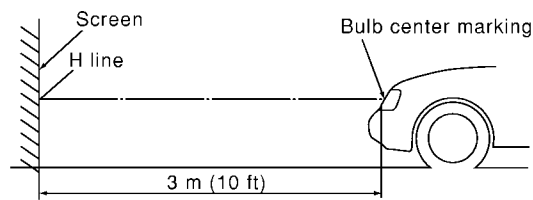
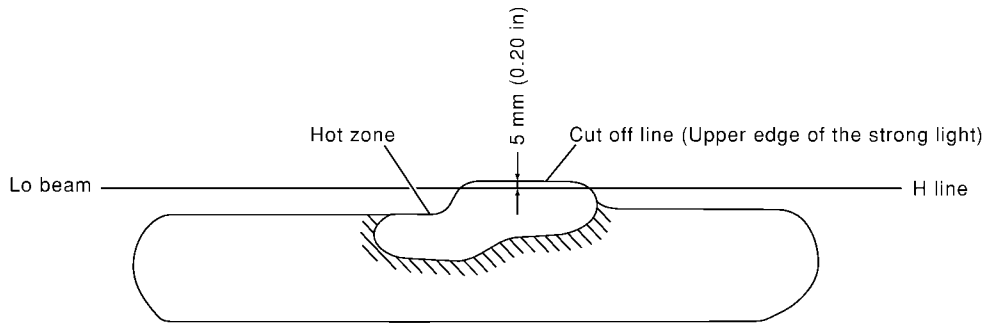
**NOTE:**

Adjust the headlight aiming by turning the adjusting screw (a).

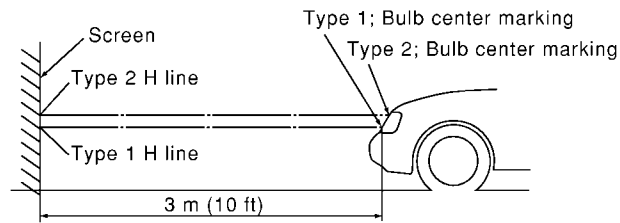
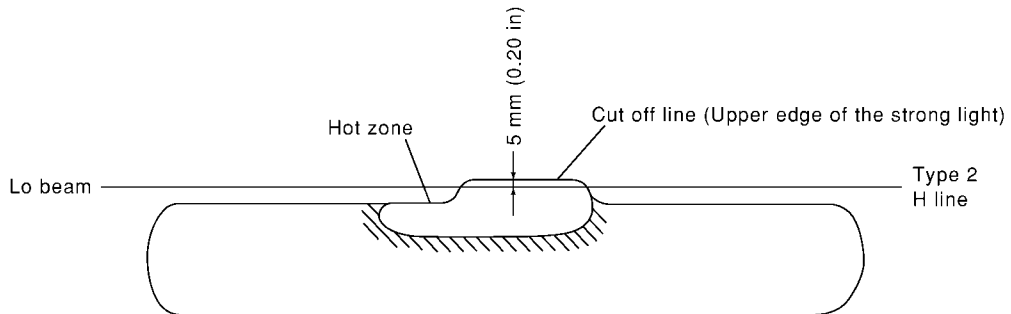


# HEADLIGHT ASSEMBLY

## Single-bulb headlight



## Dual-bulb headlight



B6M1312A