

## 10. Headlight Bulb S914410

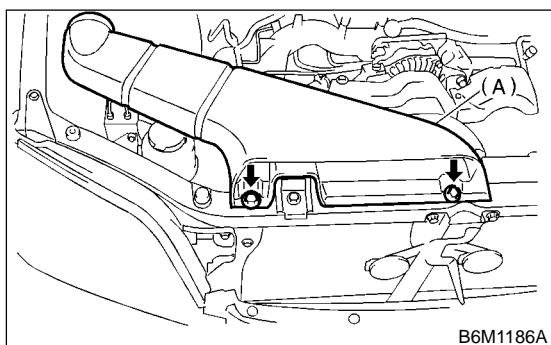
### A: REMOVAL S914410A18

#### CAUTION:

- Because the tungsten halogen bulb operates at a high temperature, dirt and oil on the bulb surface reduces the bulb's service life. Hold the flange portion when replacing the bulb. Never touch the glass portion.
- Do not leave the headlight without a bulb for a long time. Dust, moisture, etc. entering the headlight may affect its the performance.

#### 1. SINGLE-BULB TYPE S914410A1801

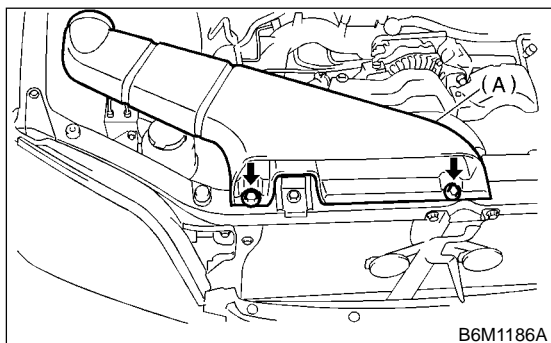
- 1) Remove duct (A) (when right side headlight is removed).



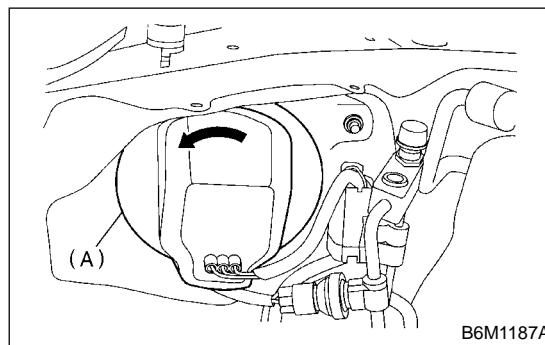
- 2) Disconnect harness connector.
- 3) Remove rubber cover.
- 4) Push to remove spring retainer, and then detach the headlight bulb.

#### 2. DUAL-BULB TYPE S914410A1802

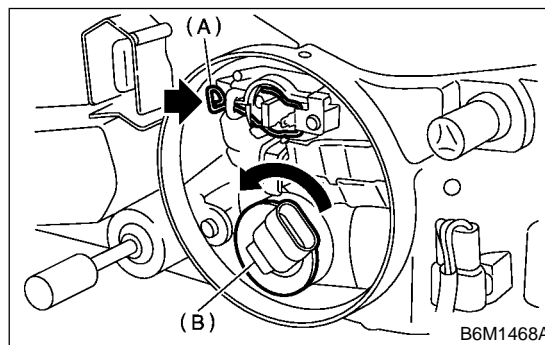
- 1) Remove duct (A) (when right side headlight is removed).



- 2) Remove back cover (A).



- 3) Disconnect harness connector.
- 4) Push to remove spring retainer (A) (low beam) or turn bulb assembly (B) counterclockwise (high beam) , and then detach headlight bulb.



### B: INSTALLATION S914410A11

Install in the reverse order of removal.