

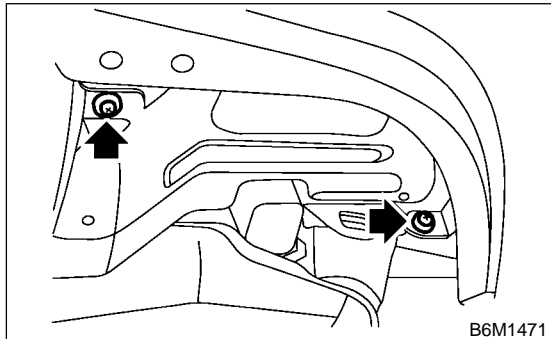
13. Front Fog Light Assembly

S914427

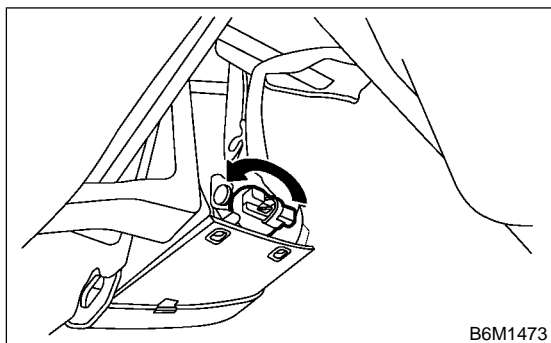
A: REMOVAL S914427A18

1. EXCEPT OUTBACK S914427A1801

1) Remove two clips and lower the mudguard.

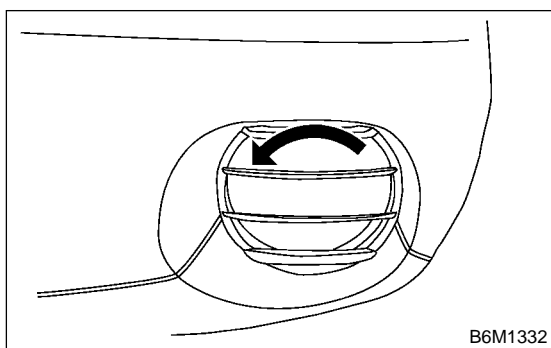


2) Disconnect harness connector.
3) Remove mounting bolts, and then detach fog light assembly.

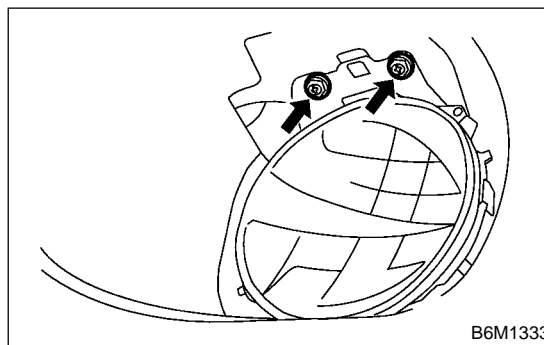


2. OUTBACK S914427A1802

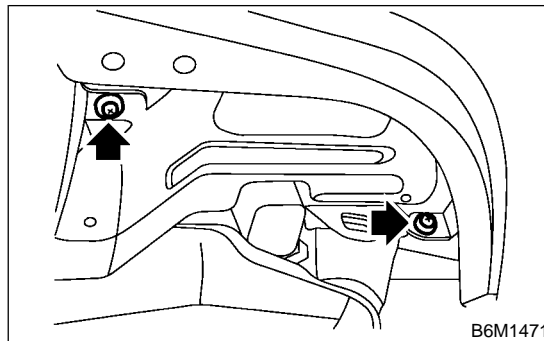
1) Turn stone guard counterclockwise, and then remove it.



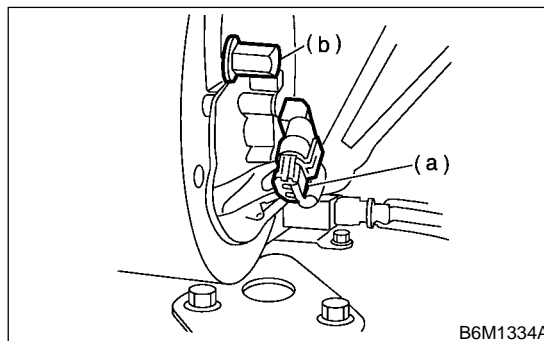
2) Remove mounting bolts.



3) Remove two clips and lower the mudguard.



4) Disconnect harness connector (a).
5) Remove nut (b) then detach fog light assembly.



B: INSTALLATION S914427A11

Install in the reverse order of removal.