

16. Rear Finisher Light Assembly S914429

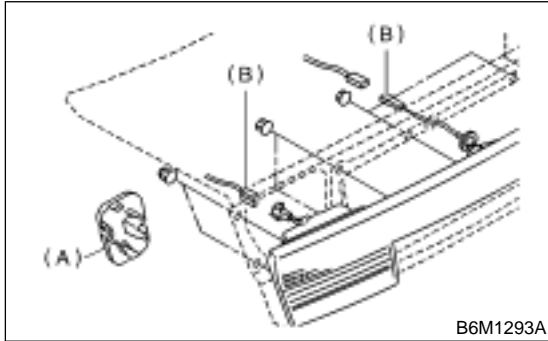
B: INSTALLATION S914429A11

Install in the reverse order of removal.

A: REMOVAL S914429A18

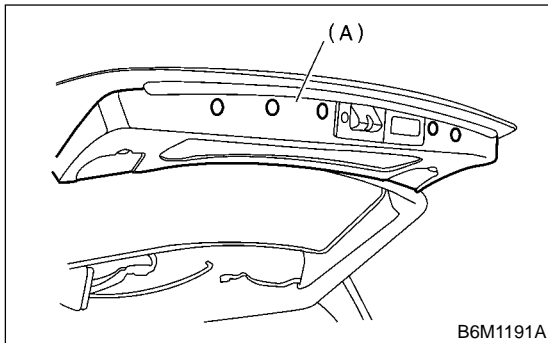
1. SEDAN S914429A1801

- 1) Open the trunk lid.
- 2) Remove cover (A).
- 3) Disconnect connector (B) from rear finisher light.
- 4) Remove ten nuts and then detach rear finisher light from trunk lid.



2. WAGON S914429A1802

- 1) Remove rear gate lower trim. <Ref. to EI-49 REMOVAL, Rear Gate Trim.>
- 2) Remove rear gate trim lower (A).



- 3) Disconnect connector from rear finisher light.
- 4) Remove nuts (A) and then remove rear finisher light from rear gate.

