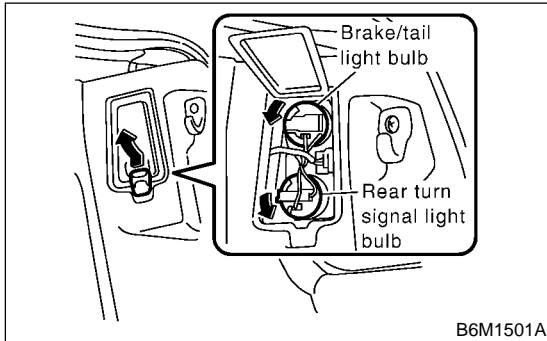


17. Brake/Tail Light Bulb S914430

A: REMOVAL S914430A18

1. SEDAN (COMBINATION LIGHT) S914430A1801

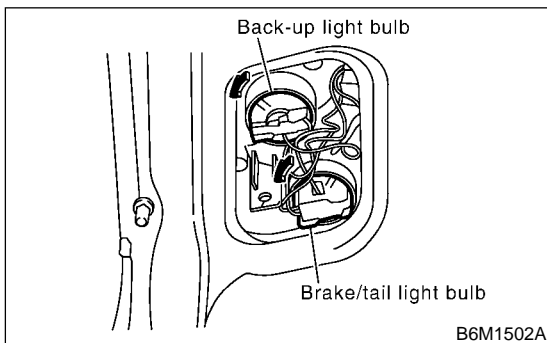
- 1) Open trunk lid and remove cover.



- 2) Turn the socket and remove the bulb.

2. SEDAN (FINISHER LIGHT) S914430A1802

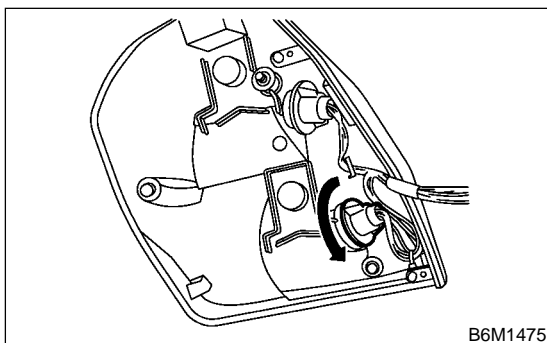
- 1) Open trunk lid and remove cover.



- 2) Turn the socket and remove the bulb.

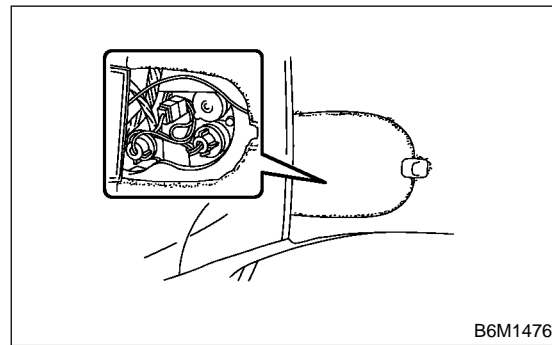
3. WAGON (COMBINATION LIGHT) S914430A1803

- 1) Remove rear combination light assembly. <Ref. to LI-33 WAGON, REMOVAL, Rear Combination Light Assembly.>
- 2) Turn the socket and remove the bulb.



4. WAGON (FINISHER LIGHT) S914430A1804

- 1) Open rear gate lower trim cover.



- 2) Turn the socket and remove the bulb.

B: INSTALLATION S914430A11

Install in the reverse order of removal.