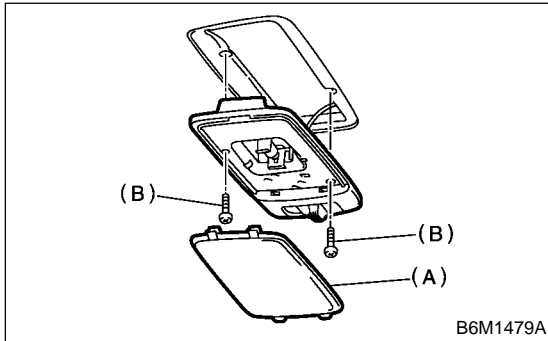


**23. Room Light** S914397

**A: REMOVAL** S914397A18

1) Remove lens (A) and room light mounting screws (B).

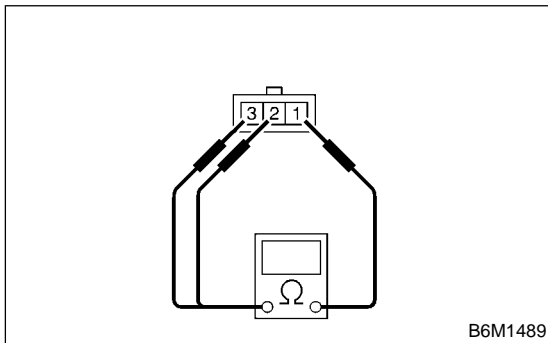


2) Disconnect harness connectors and remove the light.

**B: INSTALLATION** S914397A11

Install in the reverse order of removal.

**C: INSPECTION** S914397A10



Check continuity between terminals.

Switch position	Tester connection	Specified condition
OFF	—	No continuity
ON	1 - 3	Continuity
DOOR	1 - 2	Continuity