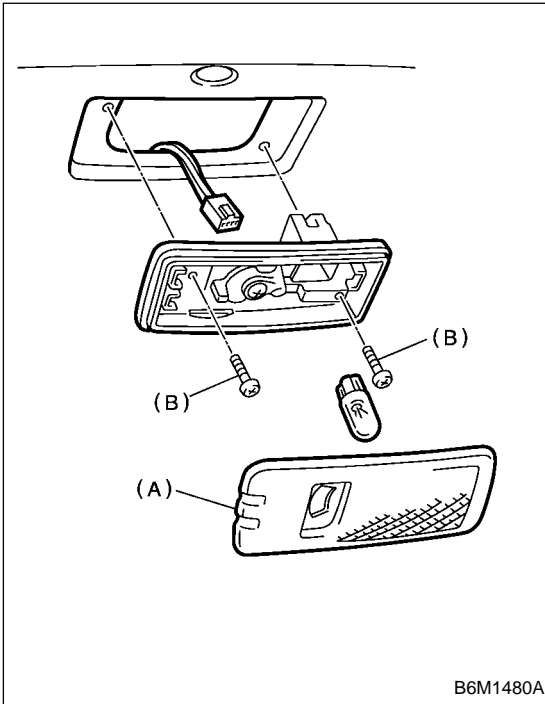


24. Luggage Room Light S914399

A: REMOVAL S914399A18

1) Remove lens (A) and luggage room light mounting screws (B).

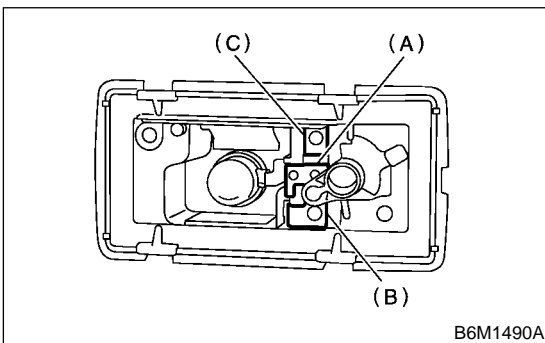


2) Disconnect harness connectors and remove luggage room light.

B: INSTALLATION S914399A11

Install in the reverse order of removal.

C: INSPECTION S914399A10



Turn the switch each position and check continuity between terminals.

Switch position	Tester connection	Specified condition
OFF	—	No continuity
ON	(A) - (C)	Continuity
DOOR	(A) - (B)	Continuity