

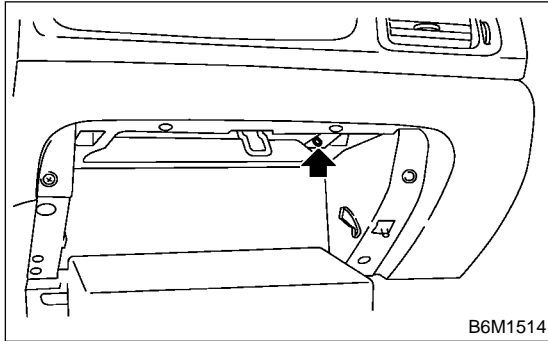
GLOVE BOX LIGHT

Lighting System

26. Glove Box Light S914396

A: REMOVAL S914396A18

- 1) Remove glove box. <Ref. to EI-34 REMOVAL, Glove Box.>
- 2) Disconnect harness connector.
- 3) Remove glove box light.



B: INSTALLATION S914396A11

Install in the reverse order of removal.