

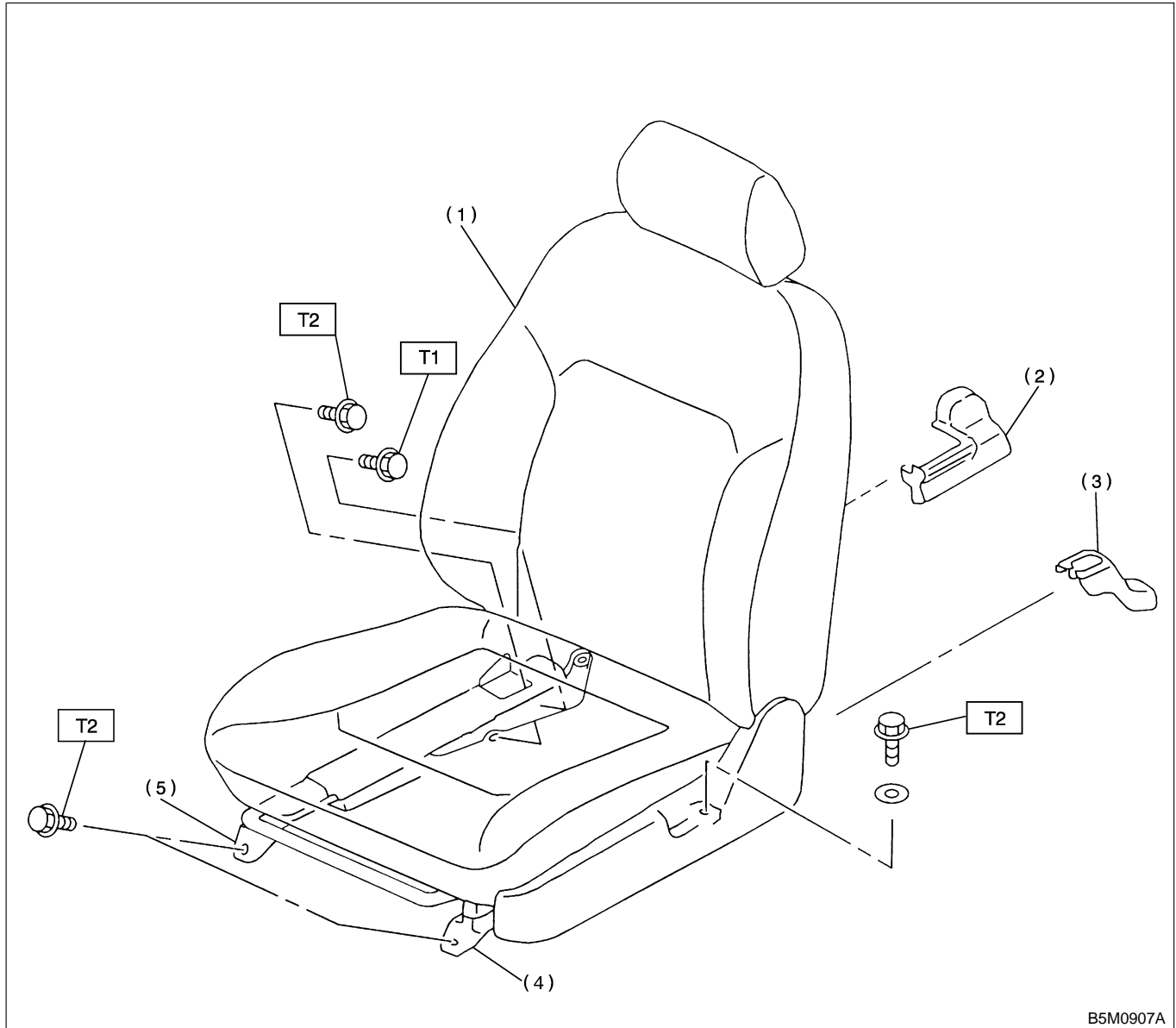
# GENERAL DESCRIPTION

Seats

## 1. General Description S908001

### A: COMPONENT S908001A05

#### 1. FRONT SEAT S908001A0501



B5M0907A

- (1) Front seat ASSY
- (2) Rail cover IN
- (3) Rail cover OUT
- (4) Slide rail OUT

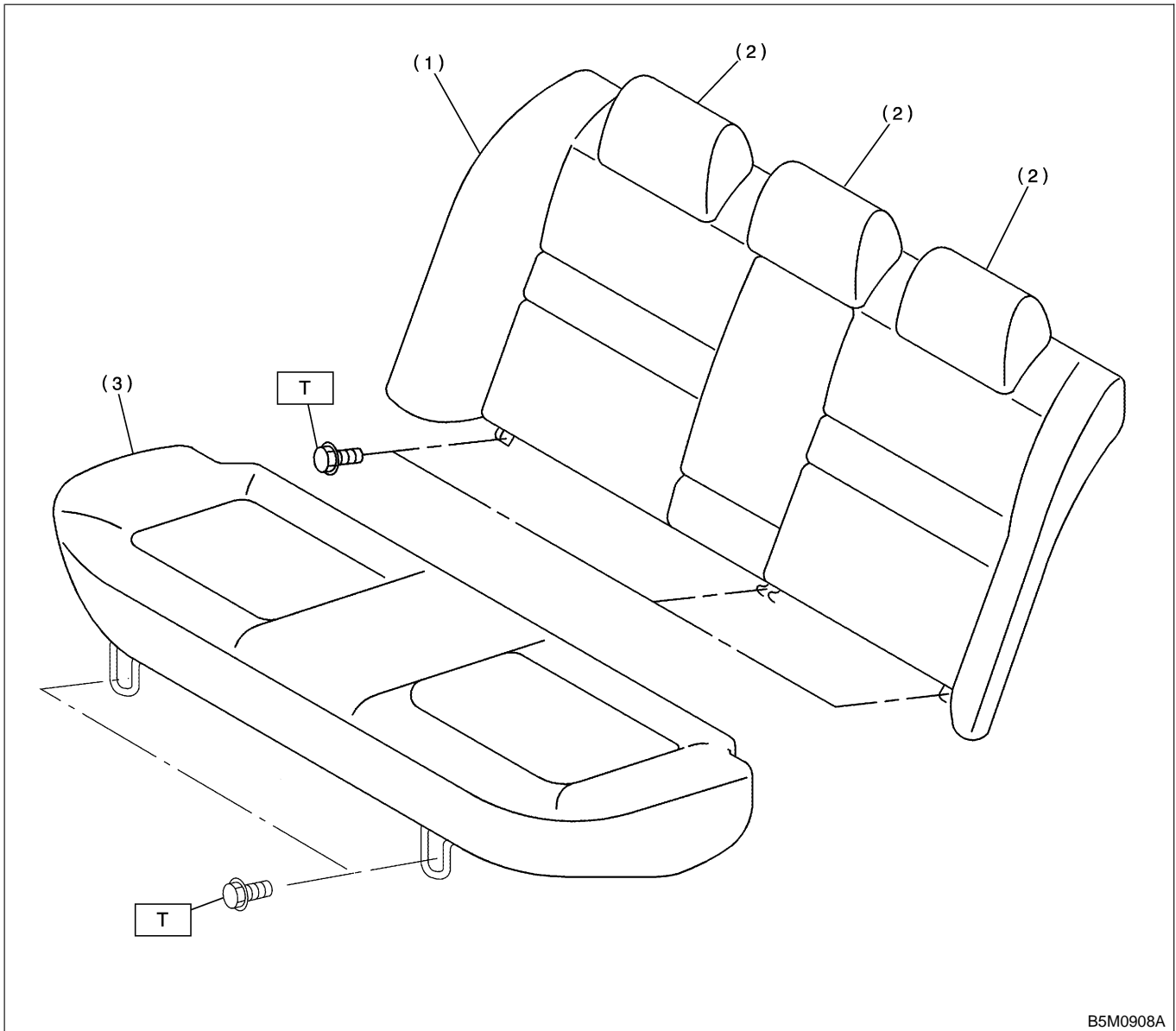
- (5) Slide rail IN

**Tightening troque:N-m (kgf-m, ft-lb)**

**T1: 30 (3.1, 22)**

**T2: 53 (5.4, 39)**

## 2. REAR SEAT (SEDAN) S908001A0502



B5M0908A

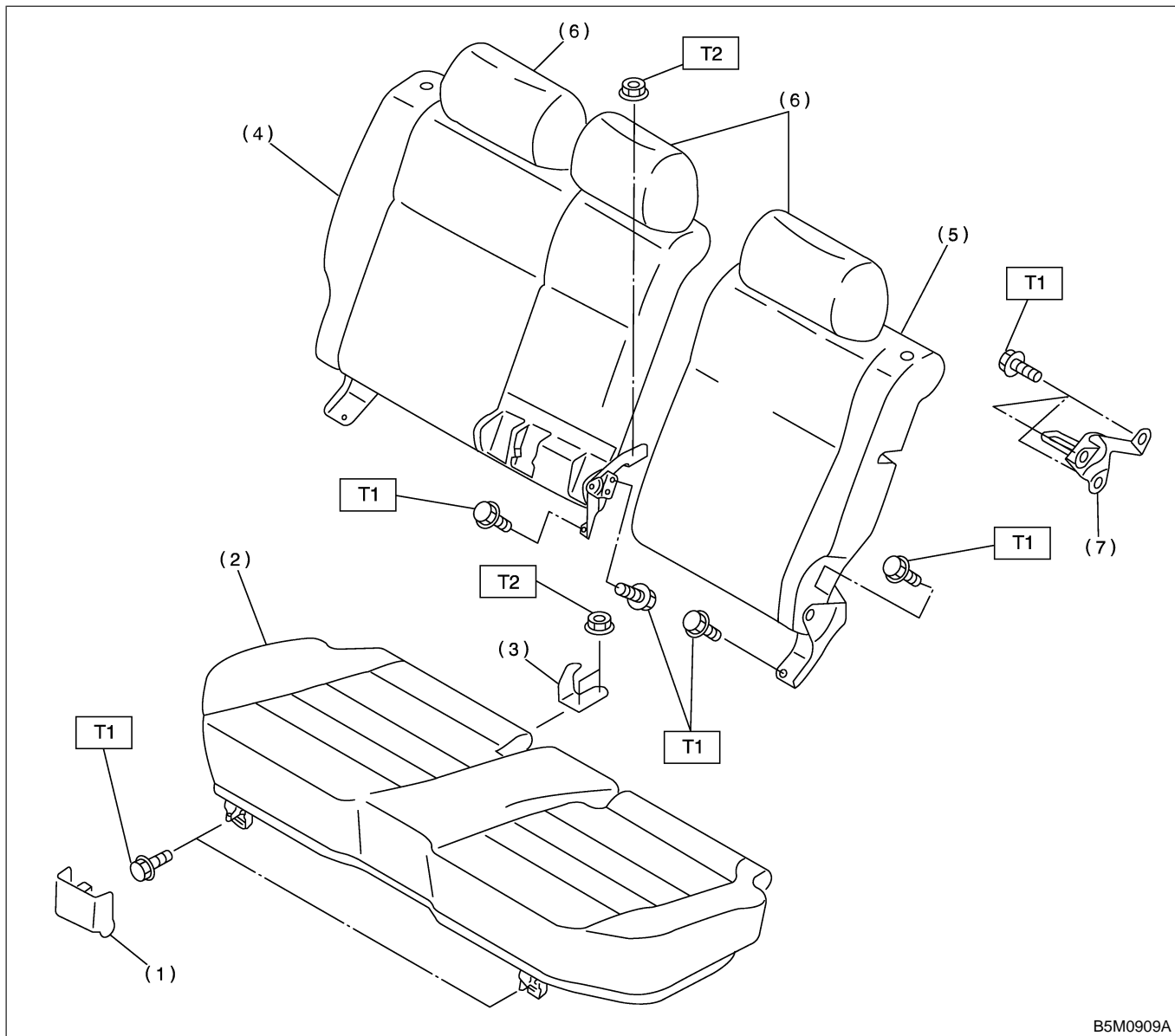
- (1) Backrest
- (2) Head restraint
- (3) Cushion

**Tightening torque: N·m (kgf·m, ft·lb)**  
**T: 24.5 (2.5, 18.1)**

# GENERAL DESCRIPTION

Seats

## 3. REAR SEAT (WAGON) S908001A0503



- (1) Cover
- (2) Cushion
- (3) Hook
- (4) Backrest RH

- (5) Backrest LH
- (6) Head restraint
- (7) Striker

**Tightening torque: N·m (kgf·m, ft·lb)**  
**T1: 10 (1.0, 7.2)**  
**T2: 24.5 (2.5, 18.1)**

# GENERAL DESCRIPTION

Seats

## B: CAUTION S908001A03

- Take care not to contaminate or damage seat surface.
- While loading to or unloading to vehicle, take care not to contact body.

- When removing front seat from a side airbag loaded vehicle, follow cautions given in the airbag section.

## C: PREPARATION TOOL S908001A17

### 1. GENERAL TOOL S908001A1701

TOOL NAME	REMARKS
Long nose pliers	Used for removing and installing hog ring