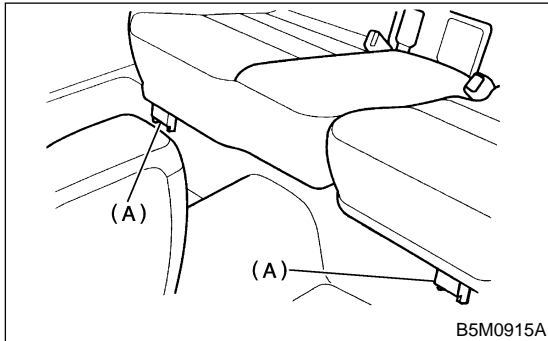


3. Rear Seat S908350

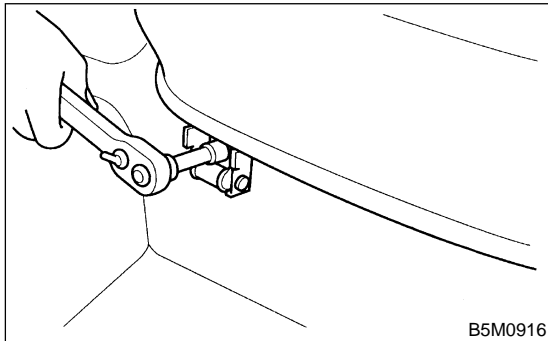
A: REMOVAL S908350A18

1. WAGON S908350A1801

1) Remove cushion, and then remove bolt covers.

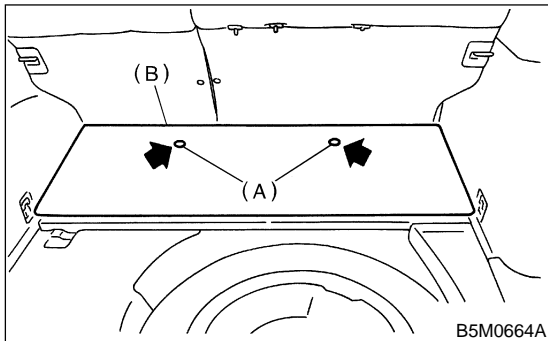


2) Remove bolts, and then remove rear seat cushion.

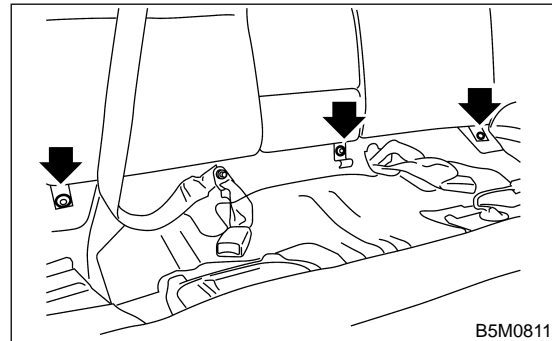
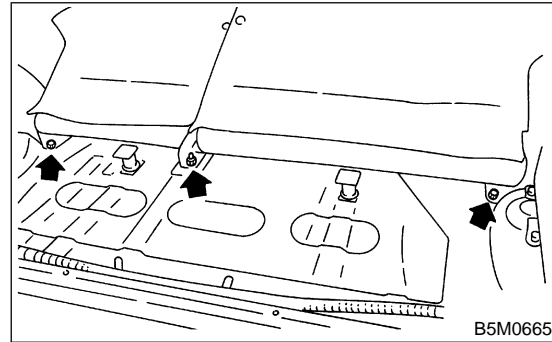


3) Remove headrest.

4) Remove clips, and then remove rear floor front mat.



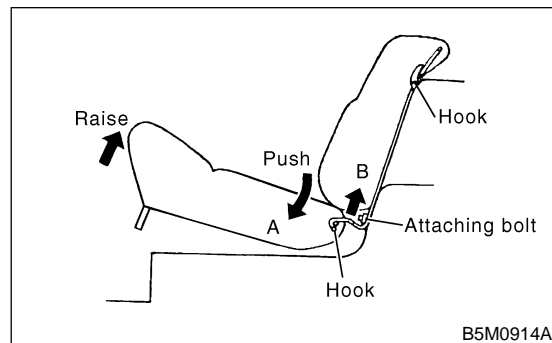
5) Remove bolts and nuts of bracket hinge.



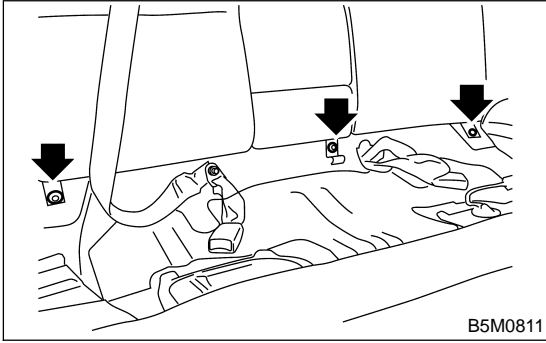
6) Remove rear seat backrest.

2. SEDAN S908350A1802

1) Slightly raise front of cushion while pushing down on cushion in the direction of "A". With cushion held in that position, move it forward until it is unhooked.



2) Remove bolts securing lower portion of backrest and then open the center trunk through lid.



3) Lift rear seat backrest and then remove it.

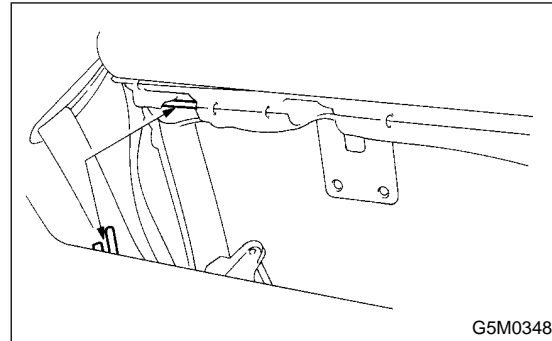
B: INSTALLATION S908350A11

1. WAGON S908350A1101

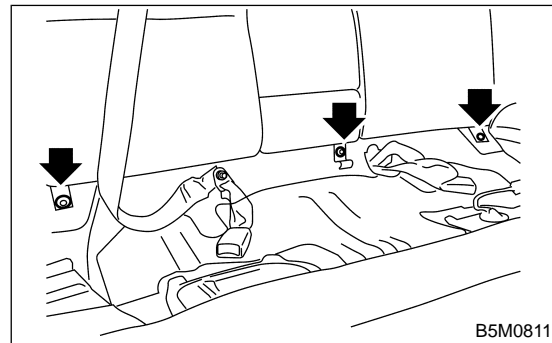
1) Install in the reverse order of removal.

2. SEDAN S908350A1102

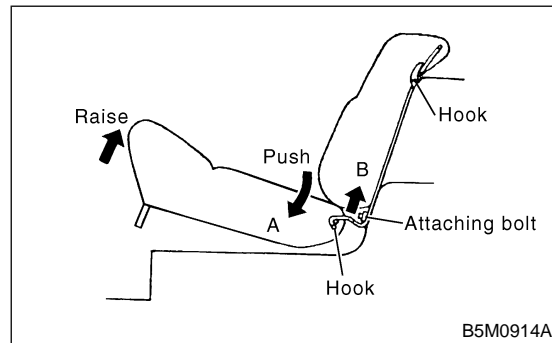
1) Hook and fasten the upper-back side of the rear seat backrest to the body hook.



2) Tighten the bolt and install the backrest.



3) Hook and fasten the seat cushion to the hook on the lower part of the rear seat backrest.



REAR SEAT

Seats

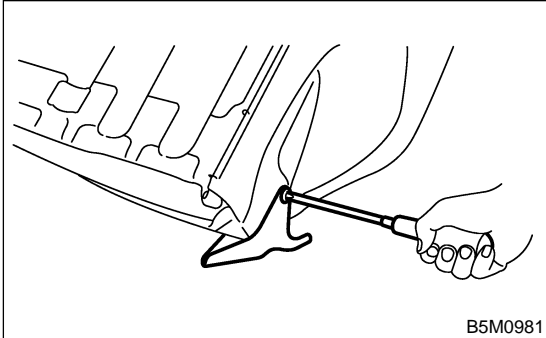
C: DISASSEMBLY

S908350A06

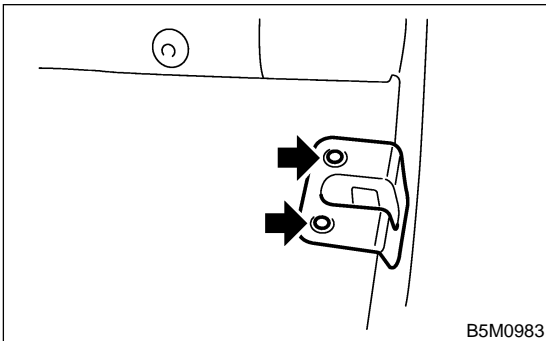
1. WAGON

S908350A0601

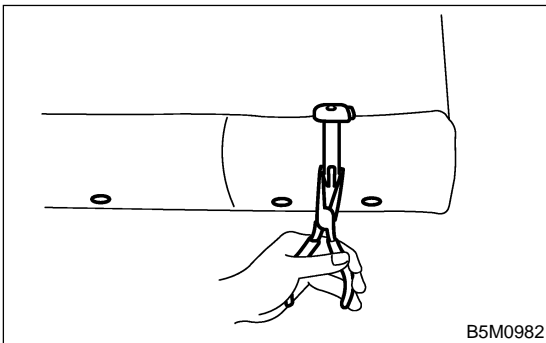
- 1) Remove rear seat. <Ref. to SE-16 REMOVAL, Rear Seat.>
- 2) Remove bolts, and then remove bracket hinge.



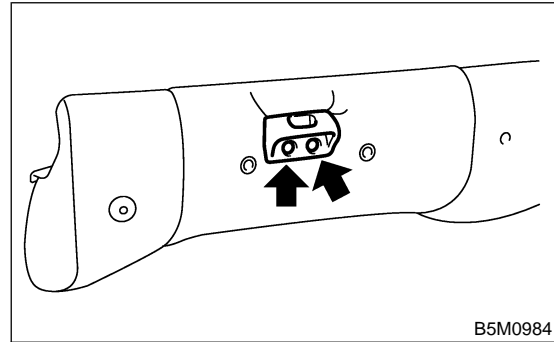
- 3) Remove rear backrest lock cover.



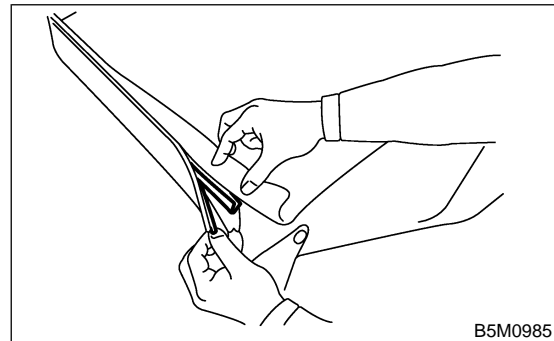
- 4) While turning counterclockwise rear backrest knob, remove it.
- 5) While picking up tip with pliers, remove head-rest lock bushings.



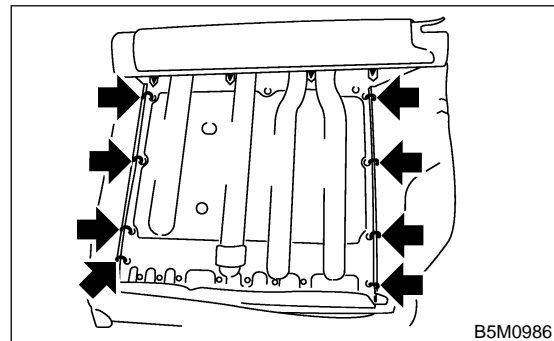
- 6) Remove backrest hook.



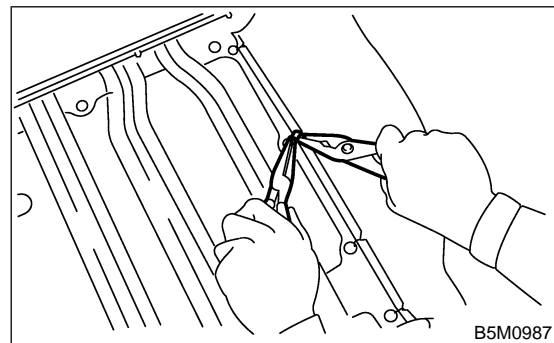
- 7) Remove hook at bottom.



- 8) Remove 4 pawls.

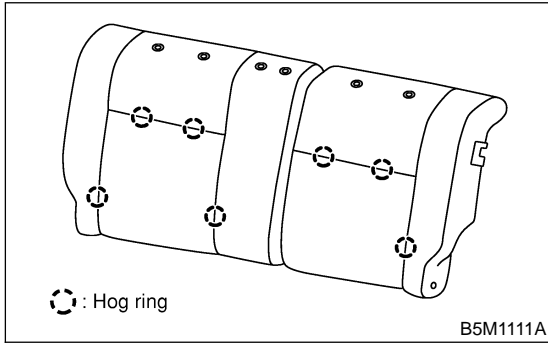


- 9) Remove 8 hog rings.

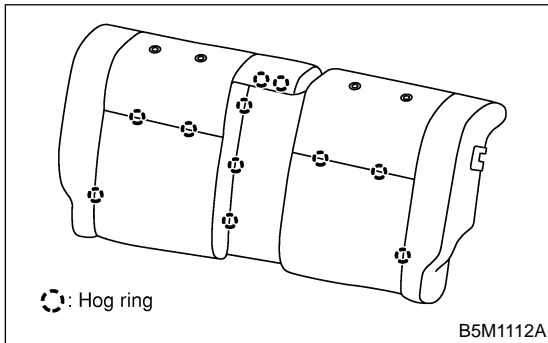


- 10) Remove the hog rings on front side of cushion pad.

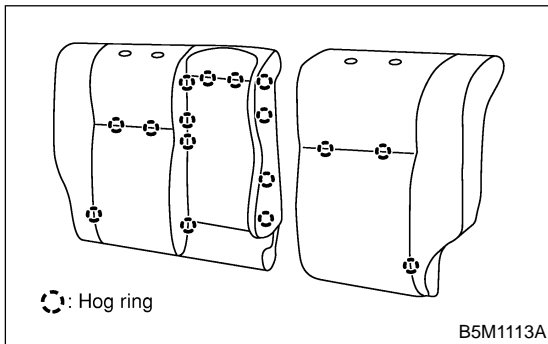
Armrest not-equipped vehicle:



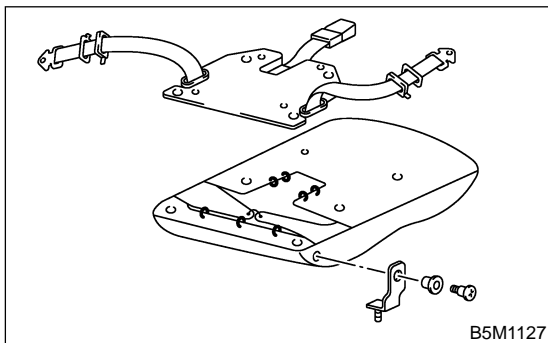
Armrest-equipped vehicle:



Child seat-equipped vehicle:

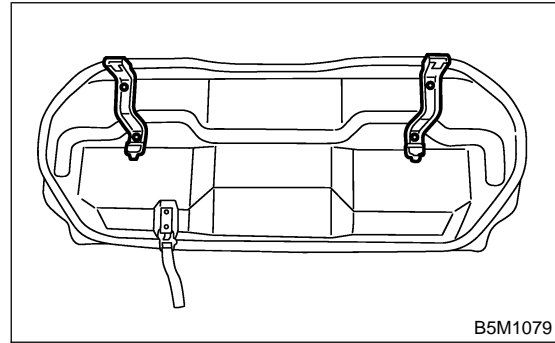


Child seat cushion:

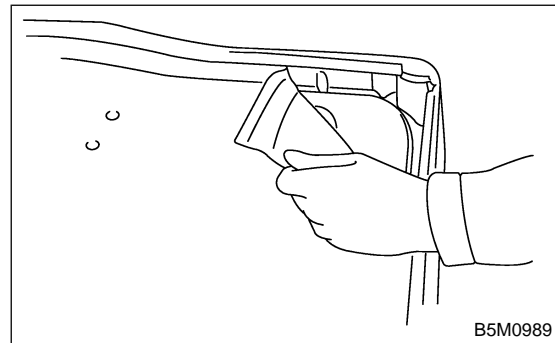


11) Remove cover. When disassembly of rear seat cushion is required, proceed to the following steps.

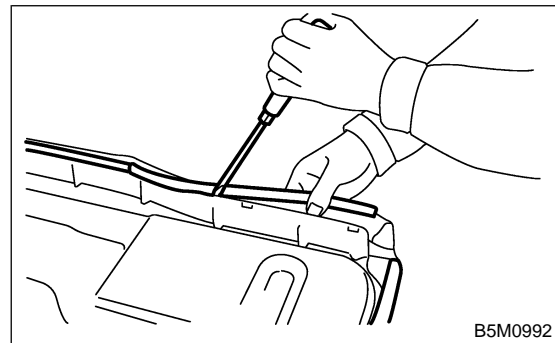
12) Remove bolts, and then remove cushion hinge.



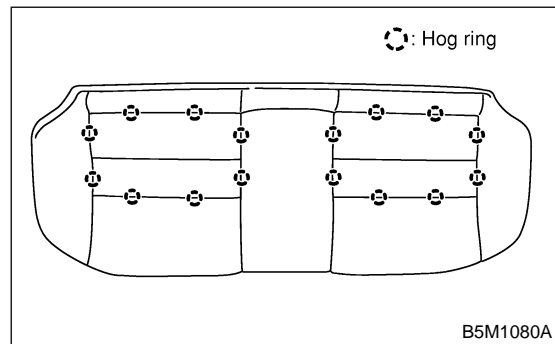
13) Remove rear cushion mat.



14) Remove hook, and then remove frame.



15) Remove hog rings, and then remove cover.

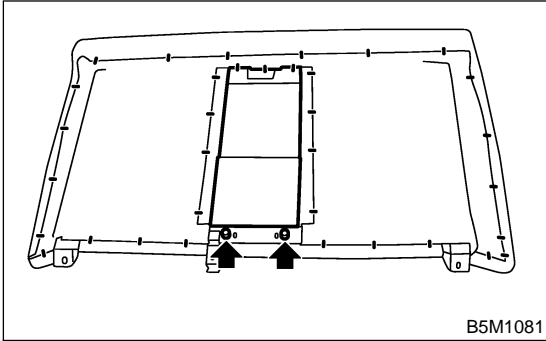


REAR SEAT

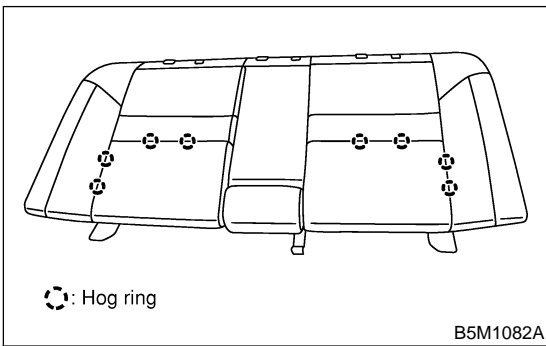
Seats

2. SEDAN S908350A0602

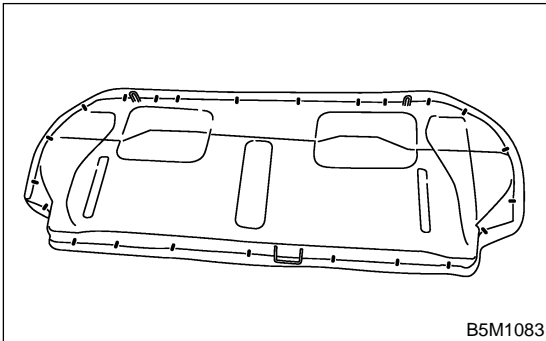
- 1) Remove the rear seat from the vehicle.<Ref. to SE-16 REMOVAL, Rear Seat.>
- 2) Remove the wiring from around the seat backrest.
- 3) Remove the two nuts and remove the armrest assembly.



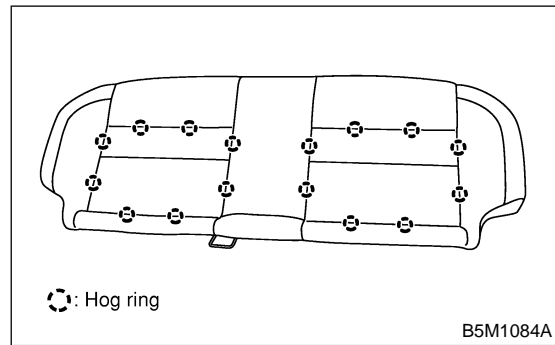
- 4) Remove the wiring, and then remove the seat cover.



- 5) Remove the wiring around the seat cushion.



- 6) Remove the wiring, and then remove the seat cover



D: ASSEMBLY S908350A02

1. WAGON S908350A0201

- 1) Assemble in the reverse order of disassembly.

NOTE:

- Do not contaminate or damage cover.
- While installing wire rings, prevent seat from getting wrinkled.

2. SEDAN S908350A0202

- 1) Assemble in the reverse order of disassembly.

NOTE:

- Do not contaminate or damage cover.
- While installing wire rings, prevent seat from getting wrinkled.