

GENERAL DESCRIPTION

Security and Locks

1. General Description

S909001

B: COMPONENT

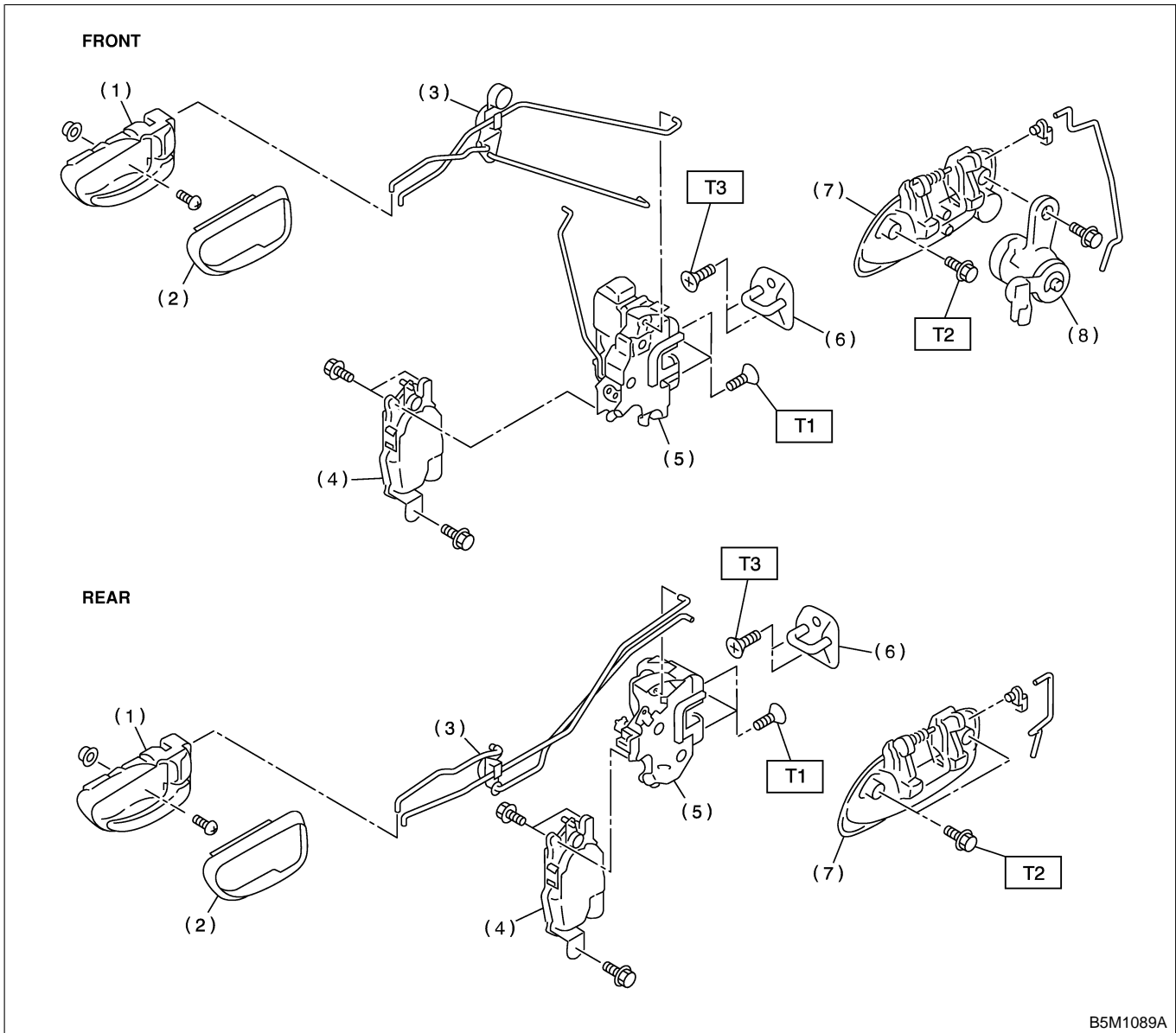
S909001A05

A: SPECIFICATIONS

S909001E49

1. DOOR LOCK ASSEMBLY

S909001A0501



- (1) Inner remote ASSY
- (2) Inner remote cover
- (3) Bell crank
- (4) Auto-door lock actuator
- (5) Door latch

- (6) Striker
- (7) Door outer handle
- (8) Key cylinder

Tightening torque: N-m (kgf-m, ft-lb)

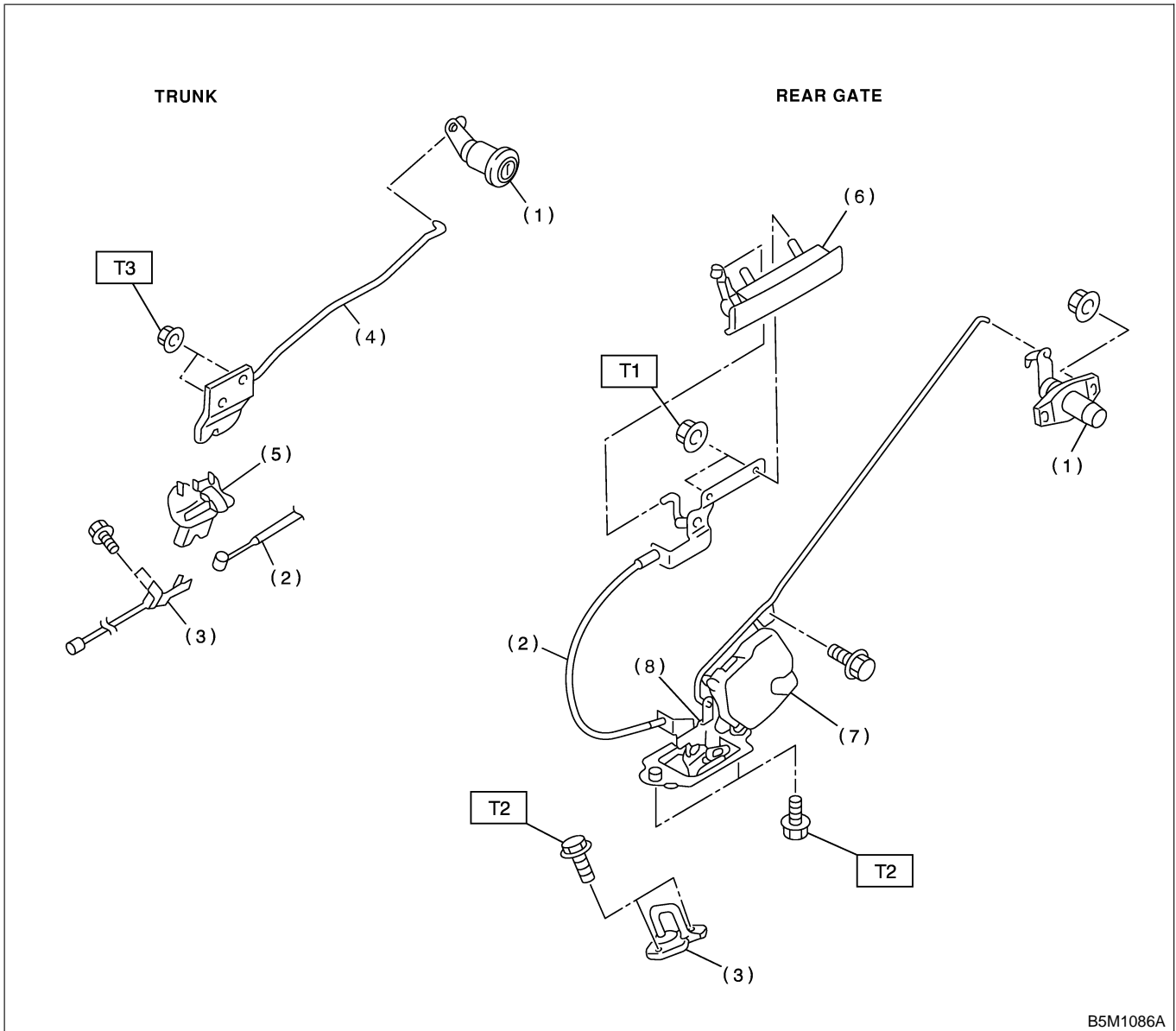
T1: 6.4 (0.65, 4.7)

T2: 7.5 (0.76, 5.5)

T3: 18 (1.8, 13.0)

2. TRUNK LID AND REAR GATE LOCK

S909001A0502



- (1) Key cylinder
- (2) Cable
- (3) Striker
- (4) Trunk lid lock ASSY
- (5) Trunk lid lock cover

- (6) Rear gate outer handle
- (7) Rear gate actuator
- (8) Rear gate latch

Tightening torque: N·m (kgf·m, ft·lb)

T1: 7.5 (0.75, 5.4)

T2: 25 (2.5, 18.1)

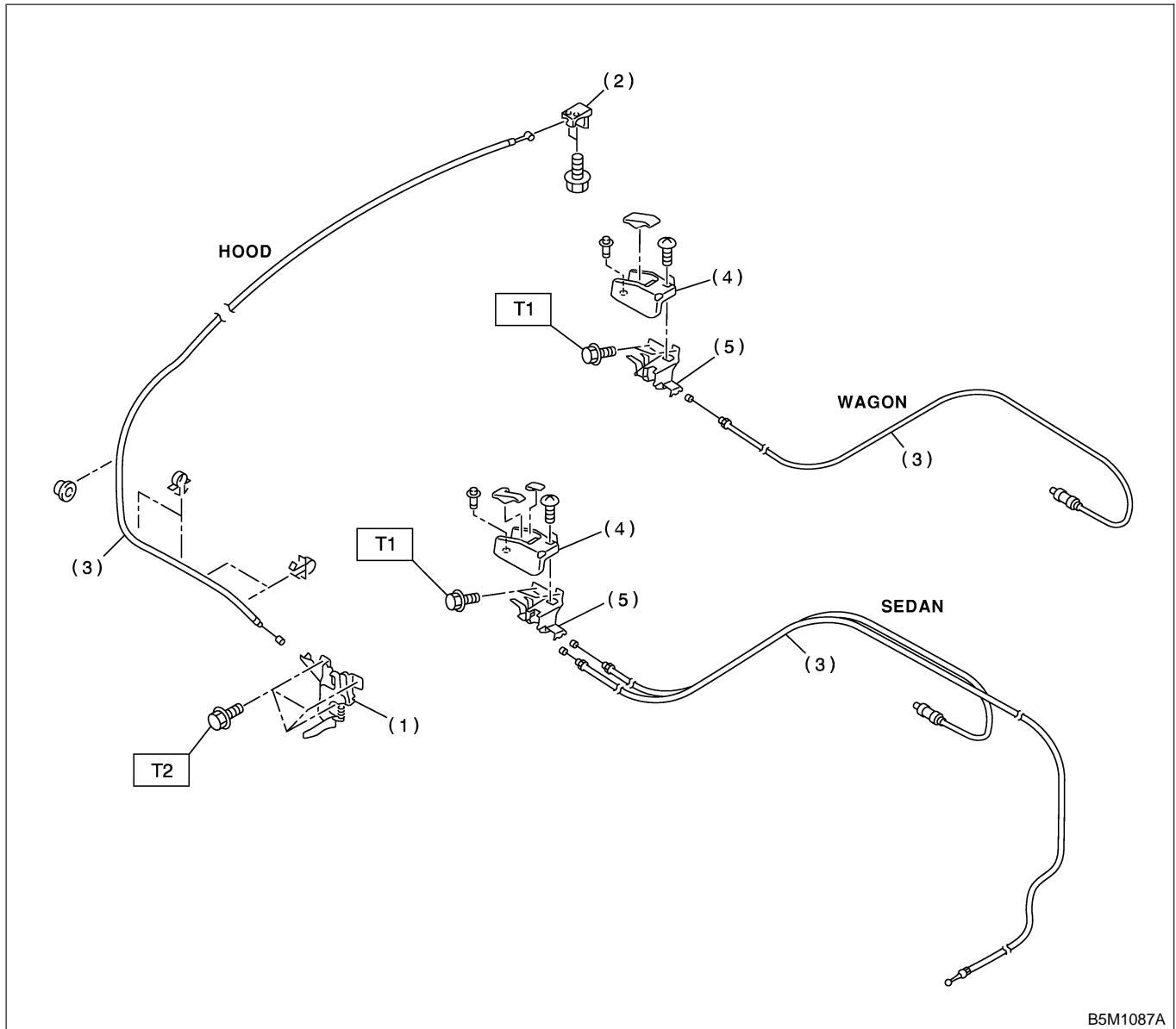
T3: 18 (1.8, 13.0)

GENERAL DESCRIPTION

Security and Locks

3. HOOD LOCK AND REMOTE OPENERS

S909001A0503



- (1) Hood lock ASSY
- (2) Lever ASSY
- (3) Cable
- (4) Cover

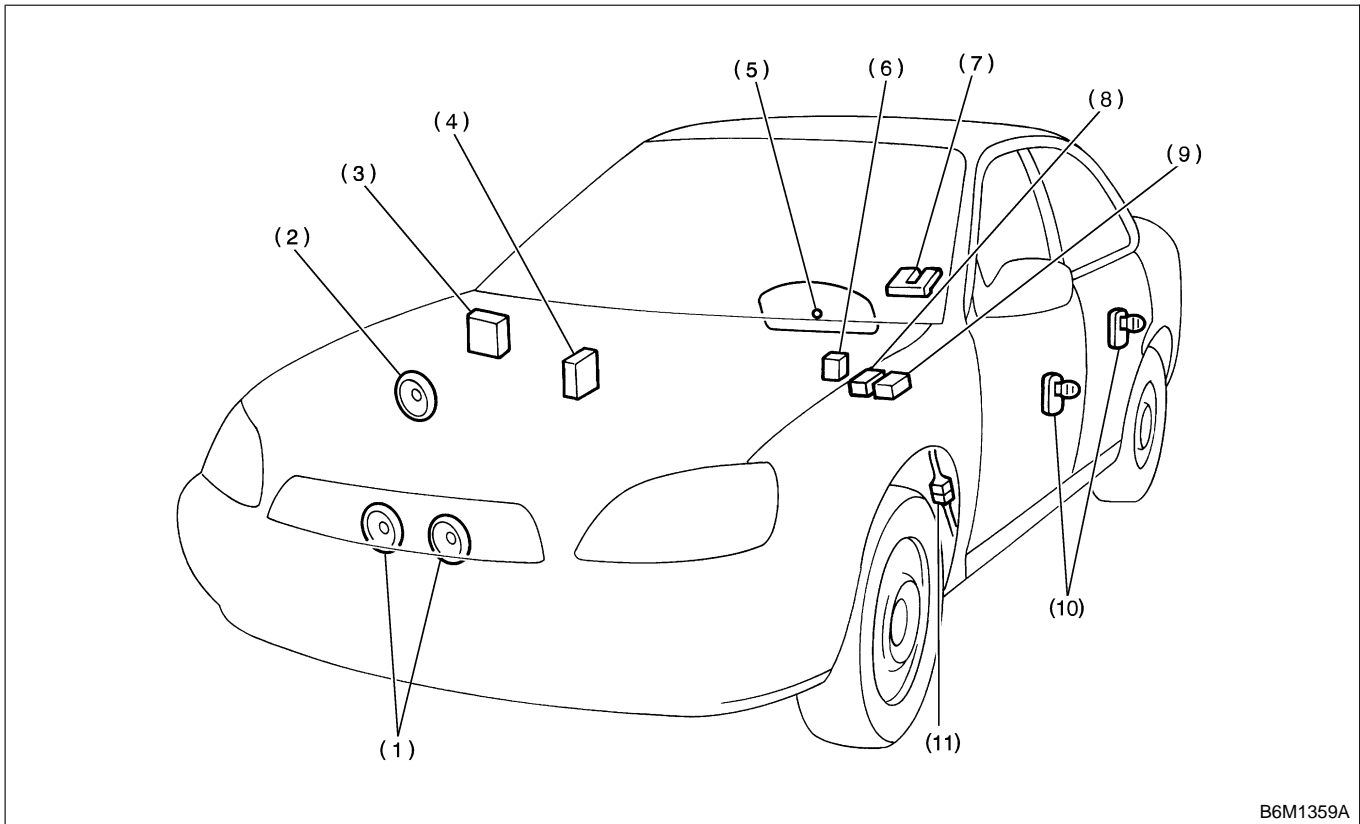
- (5) Pull handle ASSY

Tightening torque: N-m (kgf-m, ft-lb)

T1: 7.4 (0.75, 5.4)

T2: 32 (33, 23.9)

4. SECURITY SYSTEM S909001A0504



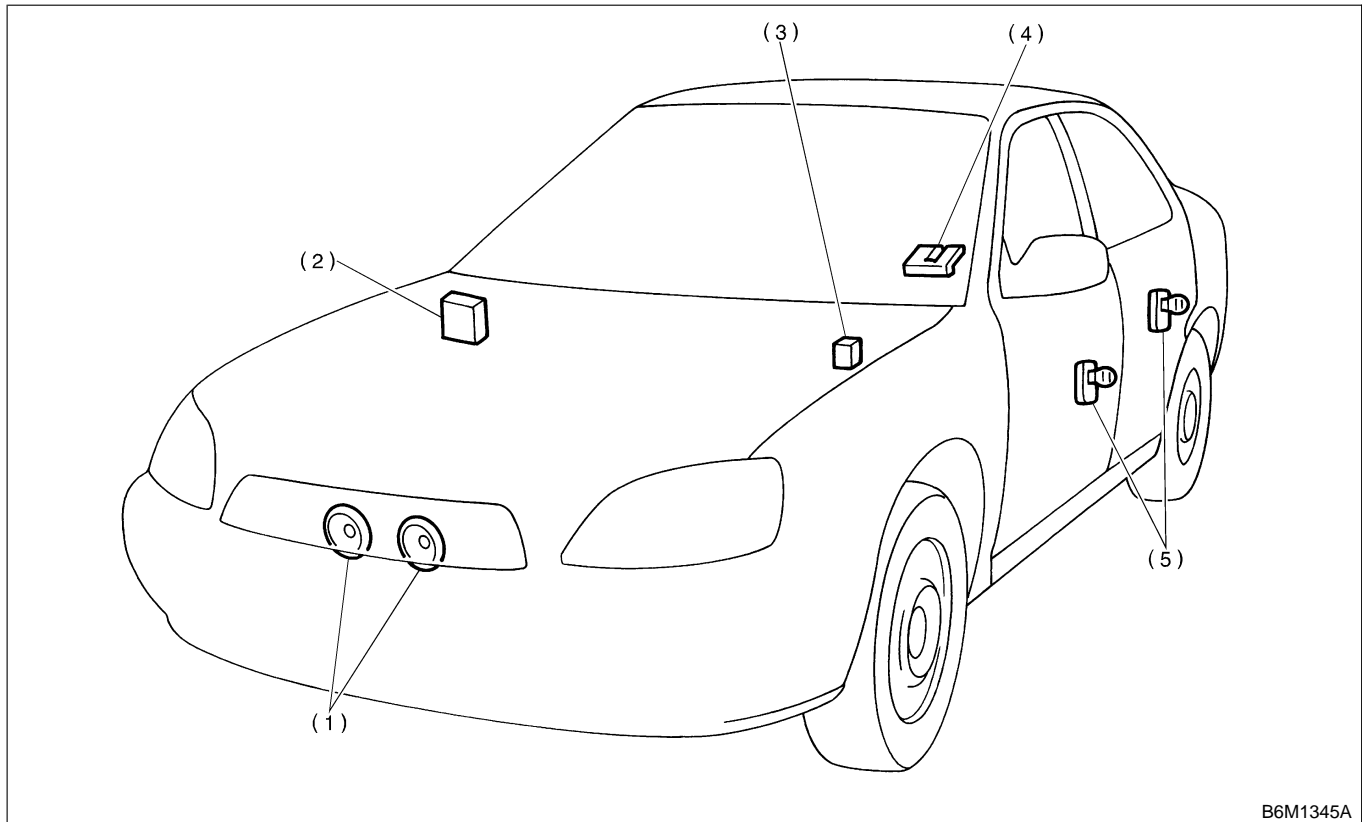
B6M1359A

- | | | |
|---|--|----------------------------|
| (1) Horn | (6) Horn relay (in main fuse box) | (11) Passive arm connector |
| (2) Security horn | (7) Trunk room light switch (Sedan),
rear gate latch switch (Wagon) | |
| (3) Keyless entry control module | (8) Interrupt relay | |
| (4) Security control module | (9) Security horn relay | |
| (5) Security indicator light (in combination meter) | (10) Door switch | |

GENERAL DESCRIPTION

Security and Locks

5. KEYLESS ENTRY SYSTEM S909001A0505



B6M1345A

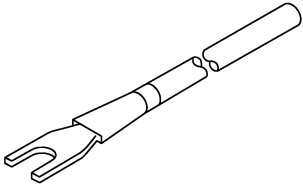
- | | | |
|----------------------------------|-----------------------------------|---|
| (1) Horn | (3) Horn relay (in main fuse box) | (4) Trunk room light switch (Sedan), rear gate latch switch (Wagon) |
| (2) Keyless entry control module | | (5) Door switch |

C: CAUTION S909001A03

- Before disassembling or reassembling parts, always disconnect battery ground cable. When repairing radio, control module, etc. which are provided with memory functions, record memory contents before disconnecting battery ground cable. Otherwise, these contents are cancelled upon disconnection.
- Reassemble parts in reverse order of disassembly procedure unless otherwise indicated.
- Adjust parts to specifications contained in this manual if so designated.
- Connect connectors and hoses securely during reassembly.
- After reassembly, ensure functional parts operate smoothly.
- Airbag system wiring harness is routed near the electrical parts and switch.
- All airbag system wiring harness and connectors are colored yellow. Do not use electrical test equipment on these circuits.
- Be careful not to damage Airbag system wiring harness when servicing the ignition key cylinder.

D: PREPARATION TOOL S909001A17

1. SPECIAL TOOLS S909001A1701

ILLUSTRATION	TOOL NUMBER	DESCRIPTION	REMARKS
 <p style="text-align: right; margin-top: 10px;">B5M1120</p>	925580000	PULLER	Used for removing trim clip

2. GENERAL TOOLS S909001A1702

TOOL NAME	REMARKS
Circuit tester	Used for measuring resistance and voltage
Drill	Used for replacing ignition key lock