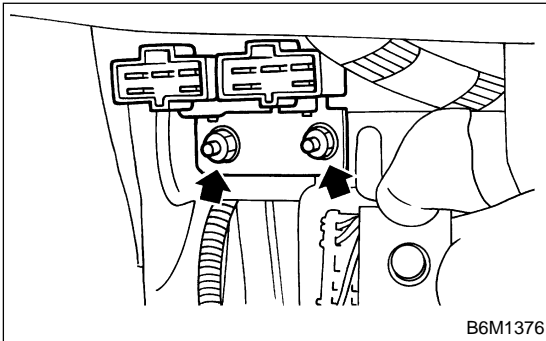


23. Security Horn Relay S909596

A: REMOVAL S909596A18

Remove the mounting nuts and detach the security horn relay (near the fuse box).



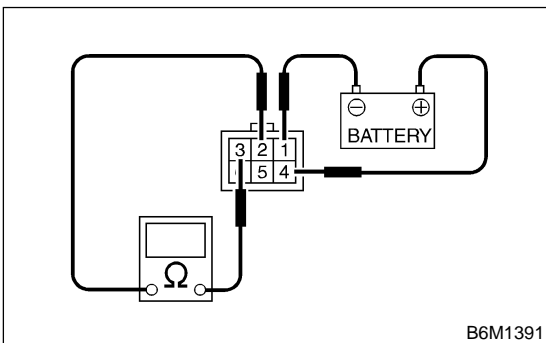
B: INSTALLATION S909596A11

Install in the reverse order of removal.

C: INSPECTION S909596A10

Check continuity between the security horn relay terminals (indicated in the table below) when connecting the battery to terminal No. 1 and No. 4.

When current flows	Between terminals No. 2 and No. 3	Continuity exists.
When current does not flow	Between terminals No. 2 and No. 3	Continuity does not exist.



If NG, replace the security horn relay.