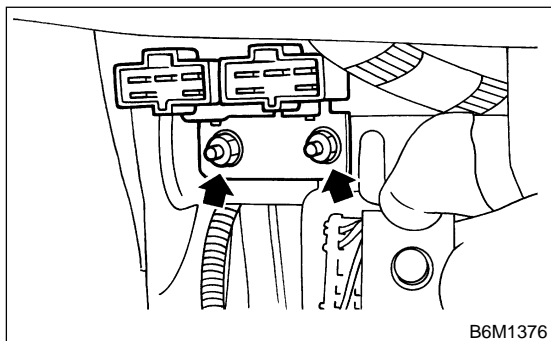


24. Interrupt Relay S909597

A: REMOVAL S909597A18

Remove the mounting nuts and detach the interrupt relay (near the fuse box).



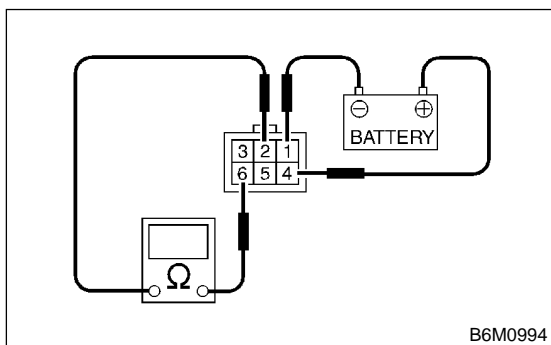
B: INSTALLATION S909597A11

Install in the reverse order of removal.

C: INSPECTION S909597A10

Check continuity between the security horn relay terminals (indicated in the table below) when connecting the battery to terminals No. 1 and No. 4.

When current flows	Between terminals No. 2 and No. 6	Continuity does not exist.
When current does not flow	Between terminals No. 2 and No. 6	Continuity exists.



If NG, replace the interrupt relay.