

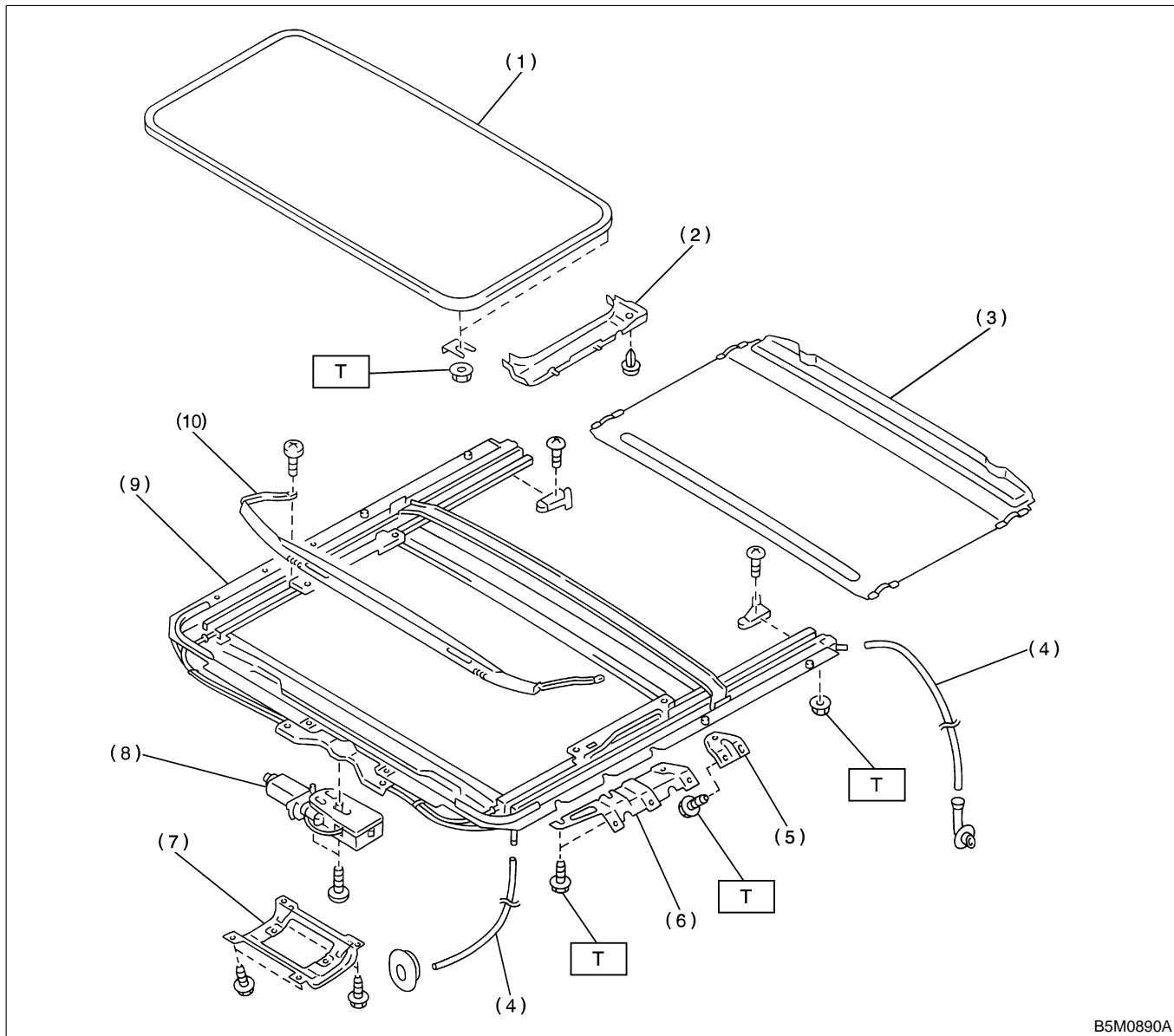
GENERAL DESCRIPTION

Sunroof/T-top/Convertible Top (Sunroof)

1. General Description S910001

A: COMPONENT S910001A05

1. SEDAN S910001A0501



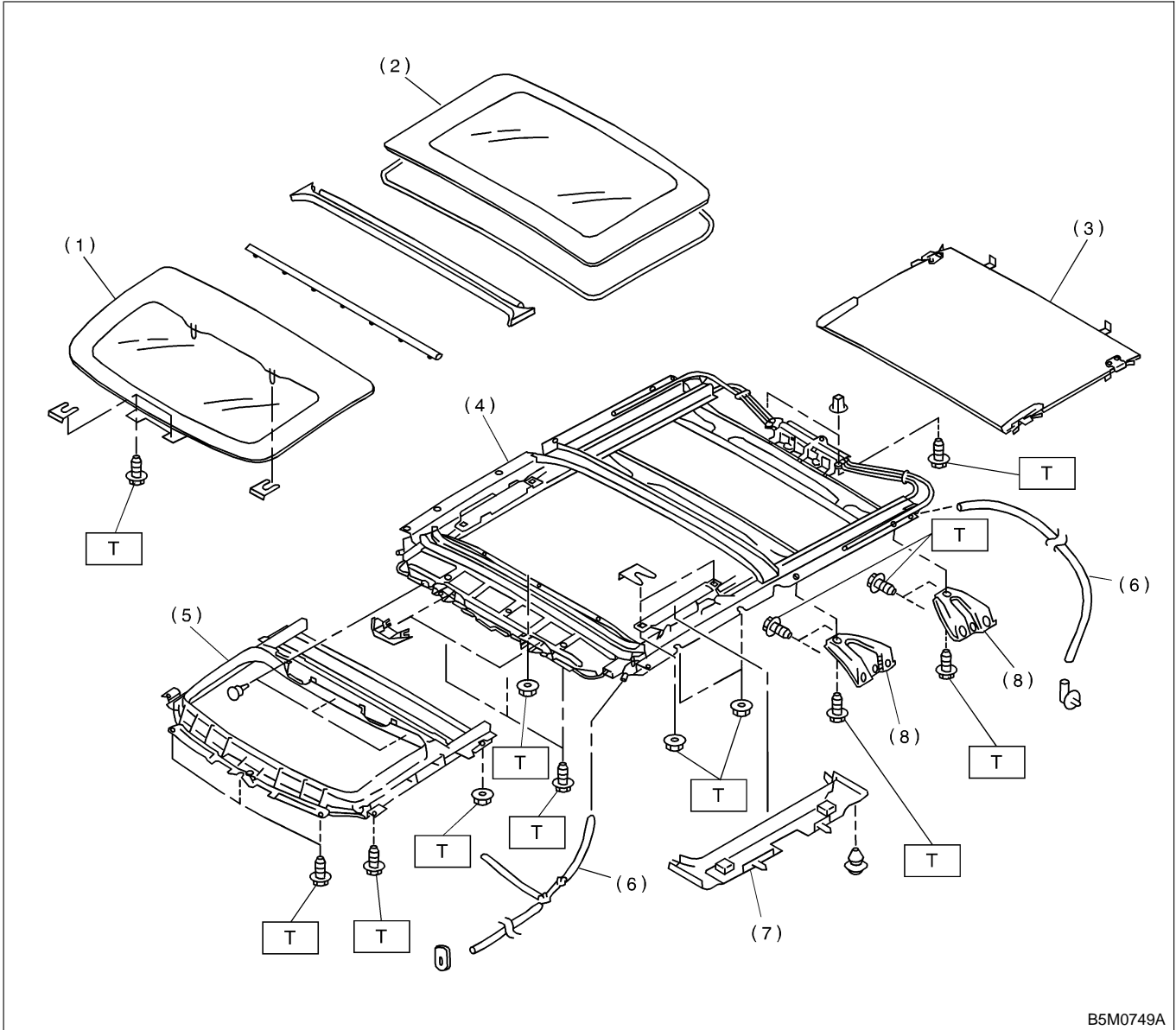
- | | |
|----------------------------|-----------------------------|
| (1) Glass lid | (6) Sunroof bracket (Front) |
| (2) Guide rail cover | (7) Motor cover |
| (3) Sunshade | (8) Motor ASSY |
| (4) Drain tube | (9) Frame ASSY |
| (5) Sunroof bracket (Rear) | (10) Deflector |

Tightening torque: N-m (kgf-m, ft-lb)
T: 7.4 (0.75, 5.4)

GENERAL DESCRIPTION

Sunroof/T-top/Convertible Top (Sunroof)

2. WAGON S910001A0502



B5M0749A

- | | |
|-----------------------|------------------------|
| (1) Glass lid (Front) | (5) Frame ASSY (Front) |
| (2) Glass lid (Rear) | (6) Drain tube |
| (3) Sunshade | (7) Cover |
| (4) Frame ASSY (Rear) | (8) Frame bracket |

Tightening torque: N-m (kgf-m, ft-lb)
T: 7.4 (0.75, 5.4)

GENERAL DESCRIPTION

Sunroof/T-top/Convertible Top (Sunroof)

B: CAUTION S910001A03

- Before disassembling or reassembling parts, always disconnect battery ground cable. When replacing radio, control module, and other parts provided with memory functions, record memory contents before disconnecting the battery ground cable. Otherwise, the memory will be erased.
- Reassemble in reverse order of disassembly, unless otherwise indicated.
- Adjust parts to the given specifications.
- Connect connectors and hoses securely during reassembly.
- After reassembly, make sure functional parts operate smoothly.

C: PREPARATION TOOL S910001A17

1. GENERAL TOOLS S910001A1701

TOOL NAME	REMARKS
Circuit Tester	Used for measuring resistance and voltage.