

SUNROOF ASSEMBLY

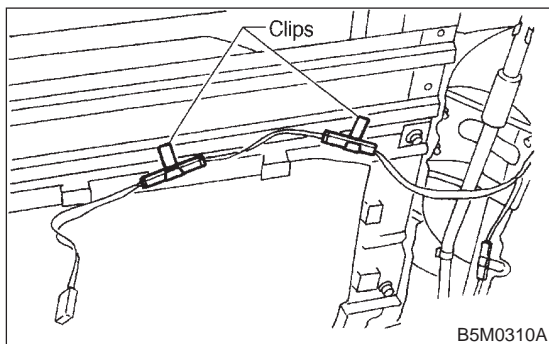
Sunroof/T-top/Convertible Top (Sunroof)

4. Sunroof Assembly S910329

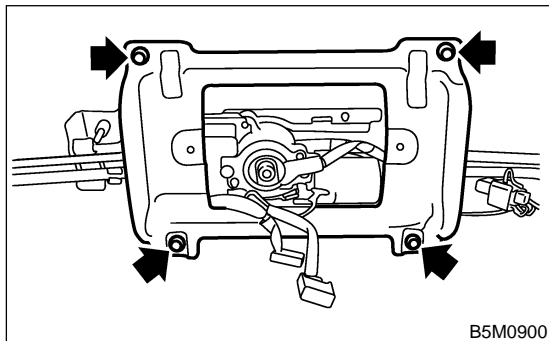
A: REMOVAL S910329A18

1. SEDAN S910329A1801

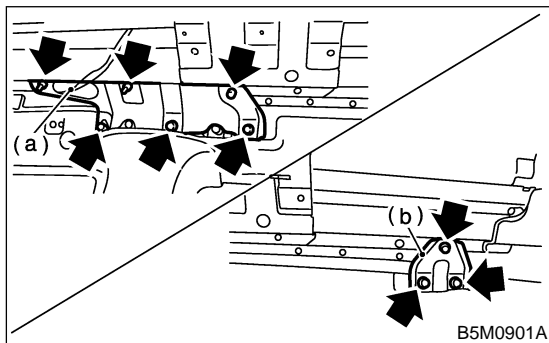
- 1) Remove roof trim. <Ref. to EI-47 REMOVAL, Roof Trim.>
- 2) Remove sunroof lid. <Ref. to SR-7 SEDAN AND WAGON (REAR), REMOVAL, Sunroof Lid.>
- 3) Disconnect drain tubes from sunroof frame.
- 4) Remove room lamp harness clip.



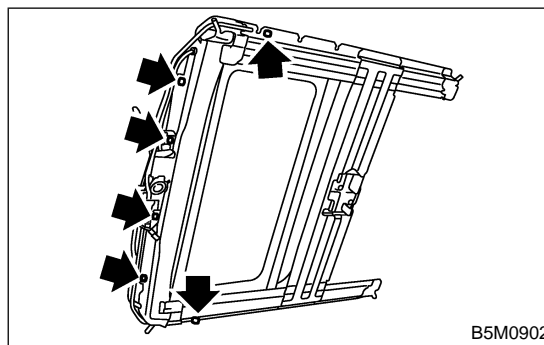
- 5) Disconnect sunroof harness connector.
- 6) Remove motor cover.



- 7) Remove sunroof brackets front (a) and rear (b).

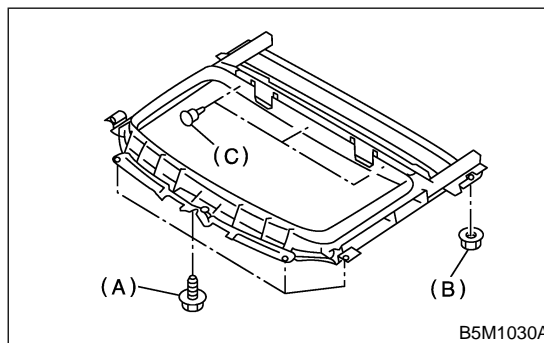


- 8) Remove nuts then detach the sunroof frame.



2. WAGON (FRONT) S910329A1802

- 1) Remove roof trim. <Ref. to EI-47 REMOVAL, Roof Trim.>
- 2) Remove front sunroof lid. <Ref. to SR-7 WAGON (FRONT), REMOVAL, Sunroof Lid.>
- 3) Remove room lamp harness clip.
- 4) Remove bolts (A), nuts (B) and clips (C) then detach the sunroof frame.

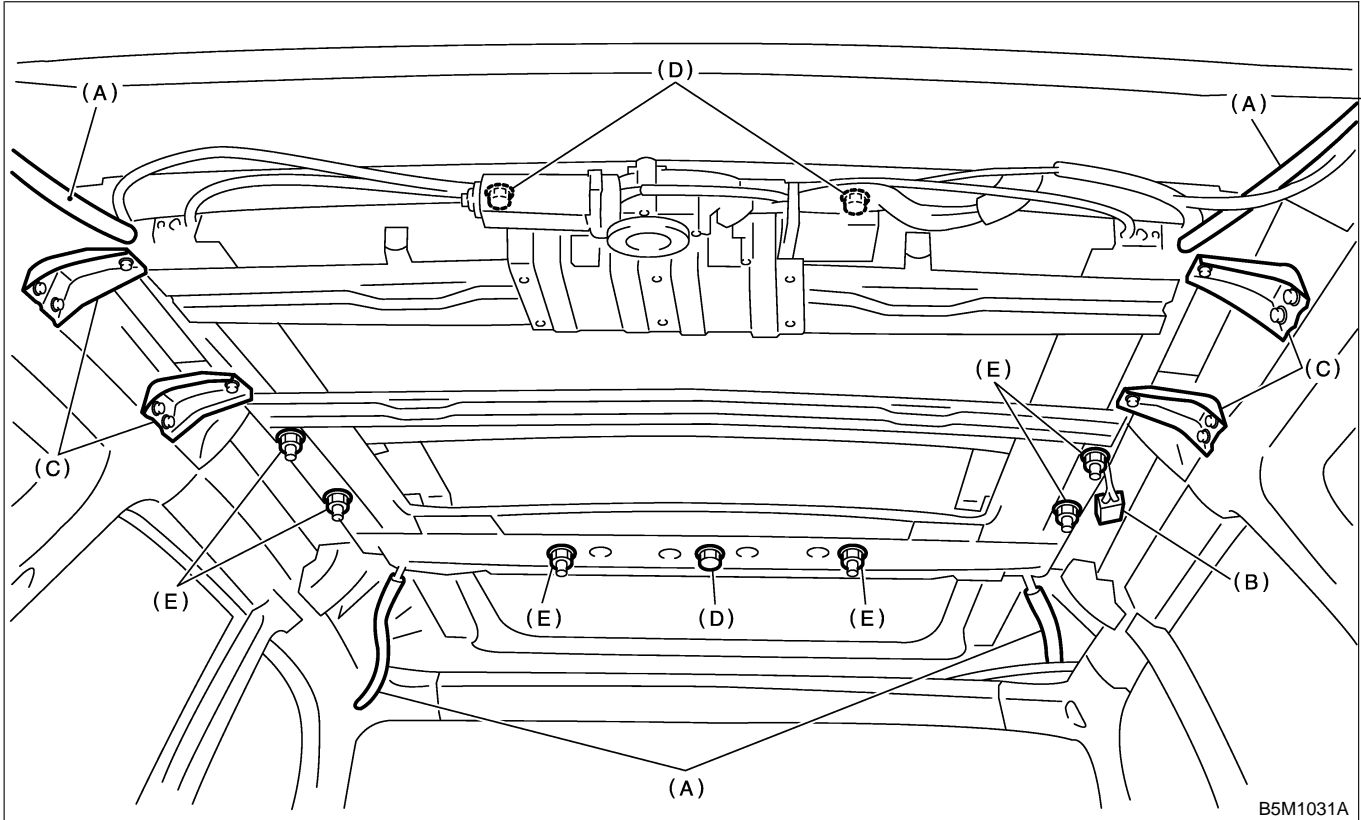


SUNROOF ASSEMBLY

Sunroof/T-top/Convertible Top (Sunroof)

3. WAGON (REAR) S910329A1803

- 1) Remove roof trim. <Ref. to EI-47 REMOVAL, Roof Trim.>
- 2) Remove rear sunroof lid. <Ref. to SR-7 SEDAN AND WAGON (REAR), REMOVAL, Sunroof Lid.>
- 3) Disconnect drain tubes (A) from rear sunroof frame.
- 4) Disconnect sunroof harness connector (B).
- 5) Remove sunroof brackets (C).
- 6) Remove bolts (D) and nuts (E) then detach the sunroof frame.



SUNROOF ASSEMBLY

Sunroof/T-top/Convertible Top (Sunroof)

B: INSTALLATION S910329A11

Install in the reverse order of removal.

CAUTION:

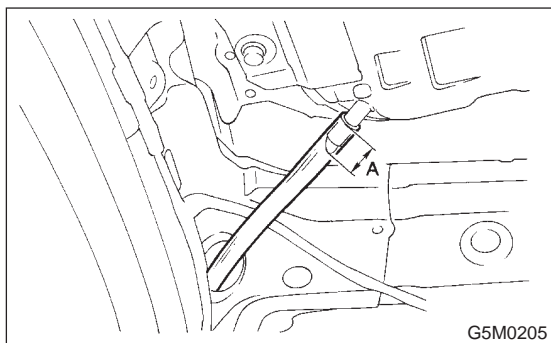
Be careful not to snag the harness.

NOTE:

- Make sure to connect harness connector.
- When installing drain tube, insert it securely onto drain pipe.

Length A:

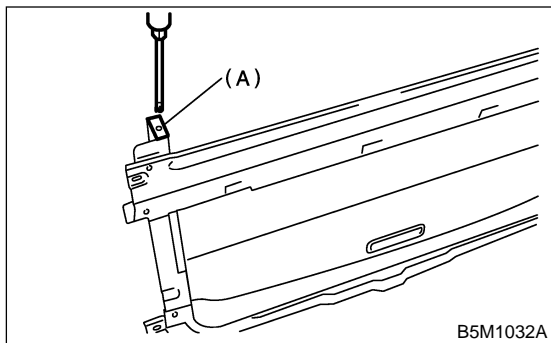
15 mm (0.59 in) or more



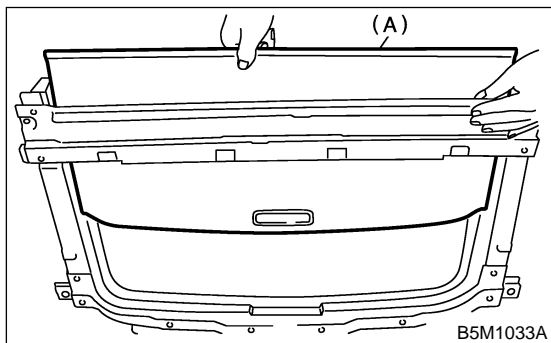
C: DISASSEMBLY S910329A06

1. SEDAN AND WAGON (FRONT) S910329A0601

- 1) Remove sunroof frame.
- 2) Remove rail stoppers (A).

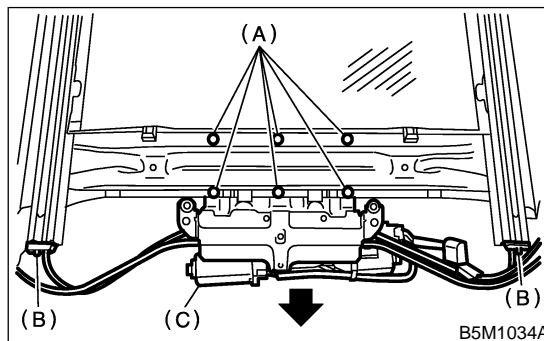


- 3) Pull out the sunshade (A) from sunroof frame.

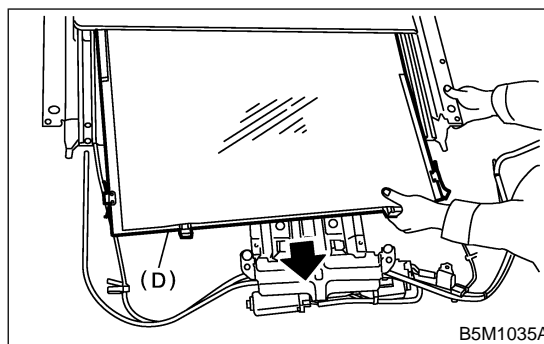


2. WAGON (REAR) S910329A0602

- 1) Remove rear sunroof frame.
- 2) Remove sunroof motor bracket mounting screws (A).
- 3) Remove rail stoppers (B) then pull the motor assembly (C) in the direction shown in the figure.



- 4) Pull out the sunshade (A) from sunroof frame.



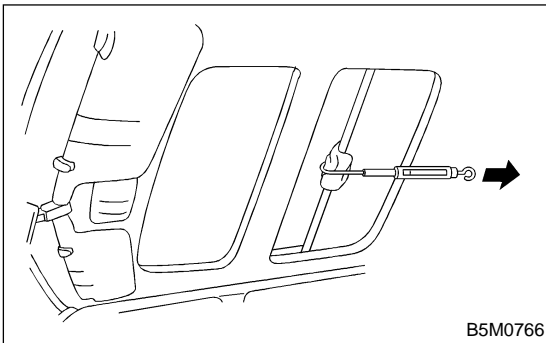
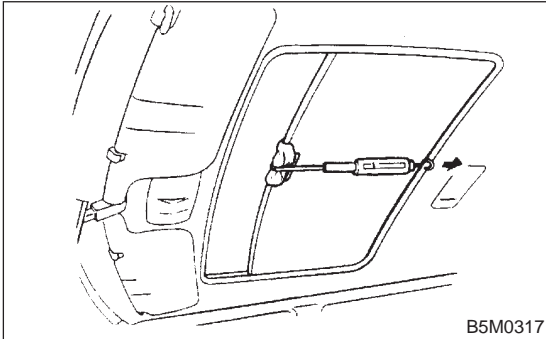
D: ASSEMBLY S910329A02

Assemble in the reverse order of disassembly.

E: INSPECTION S910329A10

1. CHECK FOR MOVEMENT OF SUNSHADE S910329A1001

- 1) Place a cloth on sunshade, and attach a spring scale to sunshade edge using a cloth.



- 2) Pull spring scale to measure force required to move the sunshade.

Force required to move rear sunshade:
Less than 24.5 ± 4.9 N (2.5 ± 0.5 kgf, 55 ± 1.1 lb)

NOTE:

Considerable force is required to start sunshade moving, so take a scale reading when it begins to move smoothly.

- 3) If the force required exceeds specifications, check the following points:
Sunroof lid, sunshade and guide rail assembly for improper installation