

# SUNROOF MOTOR

Sunroof/T-top/Convertible Top (Sunroof)

## 5. Sunroof Motor S910537

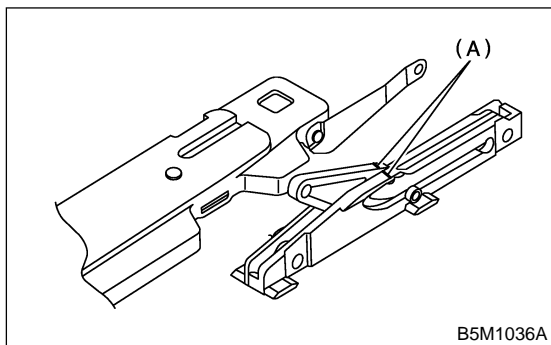
### A: REMOVAL S910537A18

#### CAUTION:

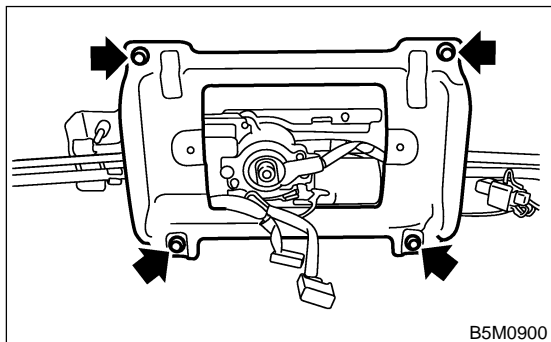
When removing clip, use great care to not damage the roof trim.

#### 1. SEDAN S910537A1801

- 1) Completely close the sunroof.
- 2) Remove sunroof lid. <Ref. to SR-7 SEDAN AND WAGON (REAR), REMOVAL, Sunroof Lid.>
- 3) Confirm the matching mark of sunroof bracket link and the guide from sunroof opening. (If the mark does not match, adjust to match the mark.)



- 4) Remove roof trim. <Ref. to ROOF TRIM.>
- 5) Remove motor cover.

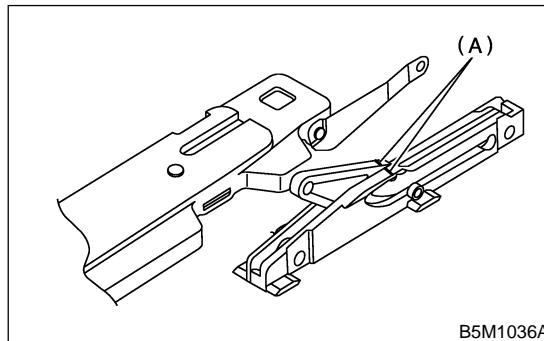


- 6) Disconnect harness connector and remove sunroof motor mounting screw.

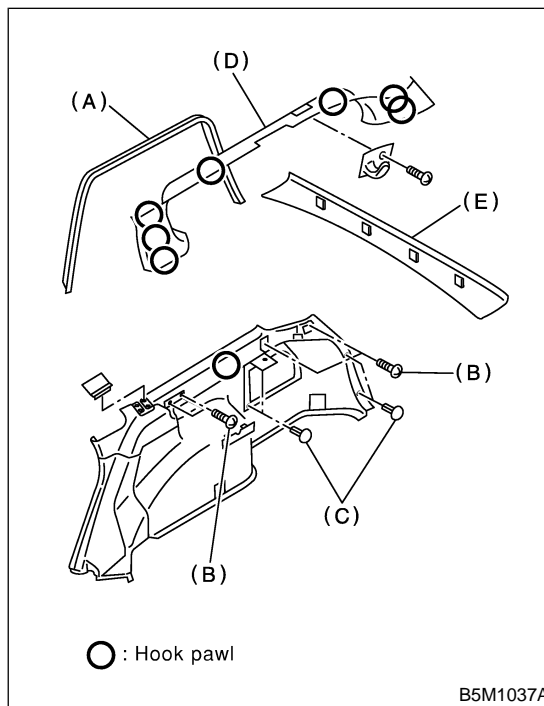
#### 2. WAGON S910537A1802

- 1) Completely close the front and rear sunroof, then tilt-up the front sunroof to the most upper position.
- 2) Remove rear sunroof lid. <Ref. to SR-7 SEDAN AND WAGON (REAR), REMOVAL, Sunroof Lid.>

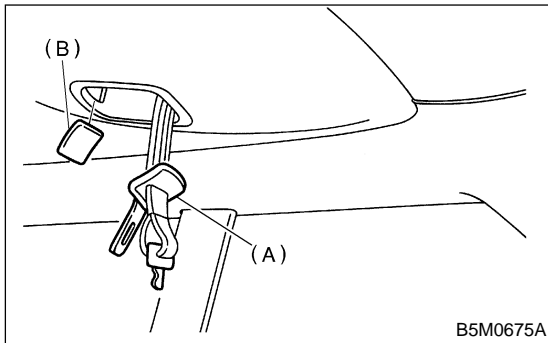
- 3) Confirm the matching mark (A) of rear sunroof bracket link and the guide from sunroof opening. (If the mark does not match, adjust to match the mark.)



- 4) Remove luggage room light. <Ref. to LI-42 REMOVAL, Luggage Room Light.>
- 5) Remove rear assist grips.
- 6) Remove rear window mole of both sides (A).
- 7) Remove screws (B) and clips (C) of rear quarter lower trim shown in the figure.
- 8) Remove rear quarter upper trim (D) of both sides.
- 9) Remove rear rail trim (E).

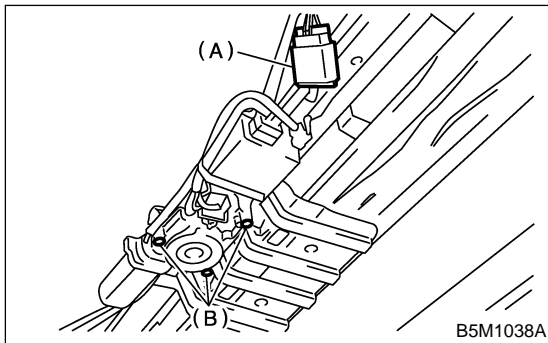


10) Remove cover (B) while detaching snap lock carefully. Put the rear center seat belt tongue (A) out to the other side of the trim through the hole.



11) Remove clips and hang down rear end of roof trim.

12) Disconnect harness connector (A) and remove sunroof motor mounting screw (B).

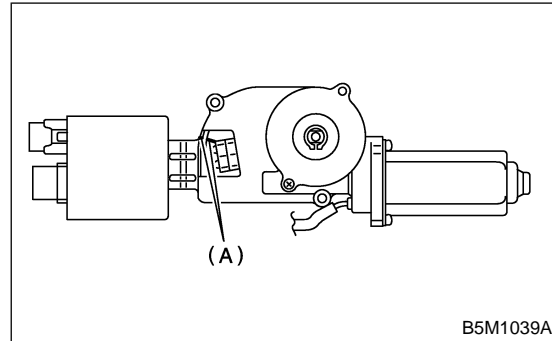


## B: INSTALLATION S910537A11

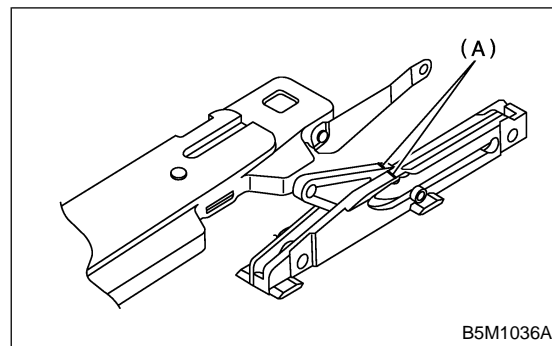
### CAUTION:

- Never rotate the sunroof motor while removed.
- Be careful not to move the sunroof cable when installing sunroof motor.

1) Check the matching mark (A) of sunroof motor.



2) Confirm the matching mark (A) of sunroof bracket link.

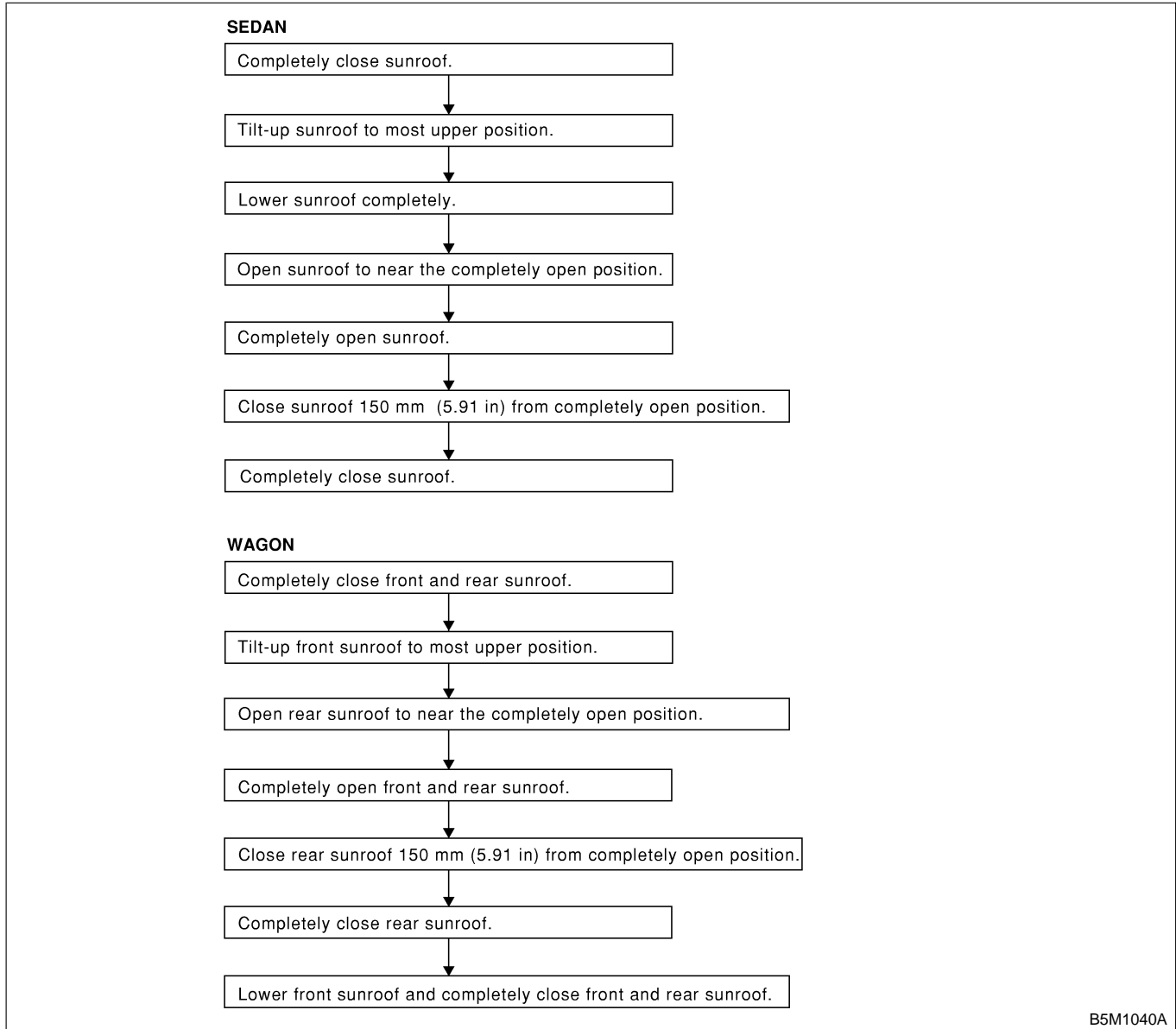


- 3) Install sunroof motor.
- 4) After installing the motor, reconfirm the matching marks of motor side and sunroof bracket link side.
- 5) Connect sunroof motor harness connector and then connect battery ground cable.
- 6) Operate the sunroof switch, and check the sunroof stop position.
- 7) Move sunroof to completely closed position and install sunroof lid.

# SUNROOF MOTOR

Sunroof/T-top/Convertible Top (Sunroof)

8) Check the sunroof operation with the procedure as shown in the figure.



9) Install trims in the reverse order of removal.