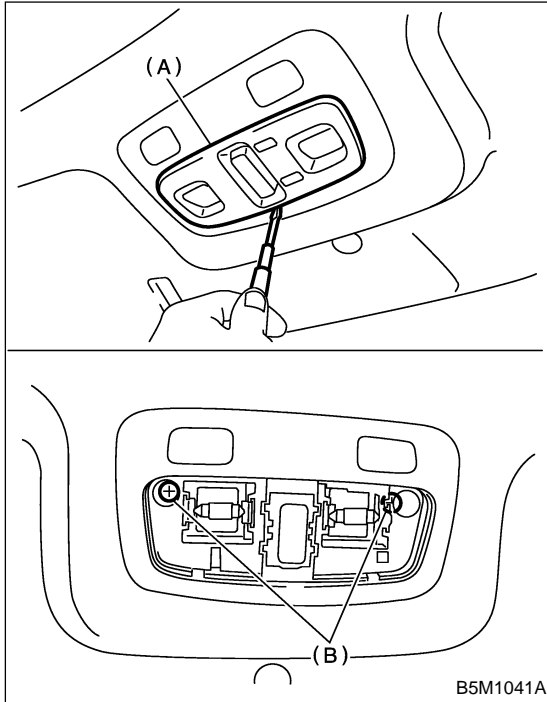


6. Sunroof Switch S910538

A: REMOVAL S910538A18

- 1) Disconnect ground cable from battery.
- 2) Remove spot light lens (A) and sunroof switch mounting screw (B).



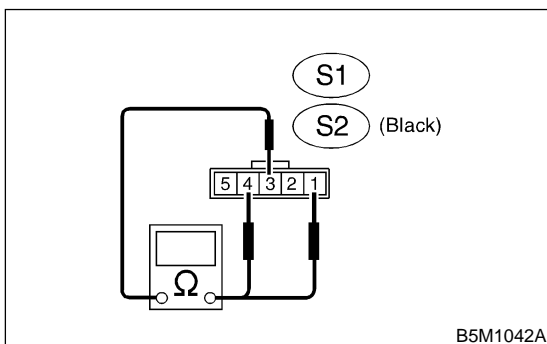
- 3) Disconnect harness connectors and remove sunroof switch.

B: INSTALLATION S910538A11

Install in the reverse order of removal.

C: INSPECTION S910538A10

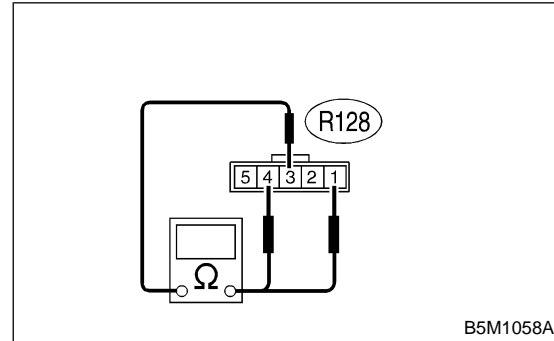
1. SEDAN S910538A1001



Check continuity between terminals when operating the switch.

Switch position	Tester connection	Specified condition
Open	S1: 3 — 4	Continuity
Close	S1: 1 — 3	Continuity
Tilt-up	S2: 3 — 4	Continuity
Tilt-down	S2: 1 — 3	Continuity

2. WAGON S910538A1002



Check continuity between terminals when operating the switch.

Switch position	Tester connection	Specified condition
Open	3 — 4	Continuity
Close	1 — 3	Continuity

SUNROOF SWITCH

Sunroof/T-top/Convertible Top (Sunroof)

MEMO: