

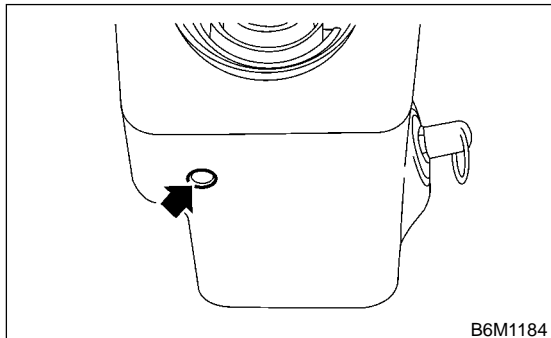
COMBINATION SWITCH (WIPER)

3. Combination Switch (Wiper)

S902395

A: REMOVAL S902395A18

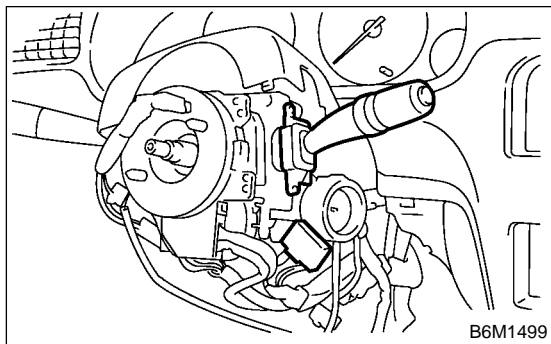
1) Loosen screw to remove a steering column cover.



B6M1184

2) Disconnect connectors from combination switches.

3) Loosen screw to remove combination switch.



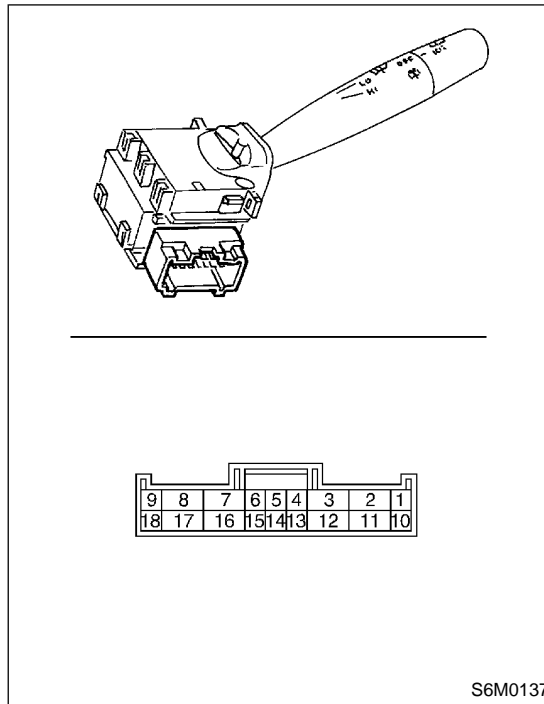
B6M1499

B: INSTALLATION S902395A11

Install in the reverse order of removal.

C: INSPECTION S902395A10

● Inspect the continuity between each connector terminal.



S6M0137

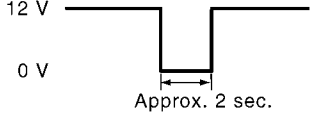
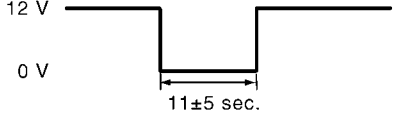
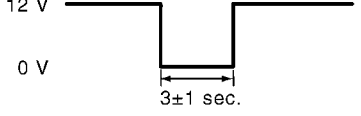
	Switch position	Test connection	Specified condition
FRONT	OFF	7 — 16	Continuity
	INT	7 — 16	Continuity
	LO	7 — 17	Continuity
	HI	8 — 17	Continuity
REAR	Washer ON	2 — 11	Continuity
	Washer ON	2 — 10 — 12	Continuity
	OFF	—	No continuity
	ON	2 — 10	Continuity
	Washer ON	2 — 10 — 12	Continuity

If continuity is not as specified, replace the switch.

COMBINATION SWITCH (WIPER)

- Intermittent operation inspection

- 1) Turn the wiper switch to INT.
- 2) Adjust the intermittent control switch to MAX.
- 3) Apply battery voltage to switch terminals 17 and 2, and inspect the voltage of terminals 7 and 2. (Measure the voltage from after the second time the wiper stops.)

Switch position	Voltage
MIN.	 <p>12 V 0 V Approx. 2 sec.</p>
MAX.	 <p>12 V 0 V 11±5 sec.</p>
Non variable type	 <p>12 V 0 V 3±1 sec.</p>

B6M1465A

If operation is not as specified, replace the switch.