

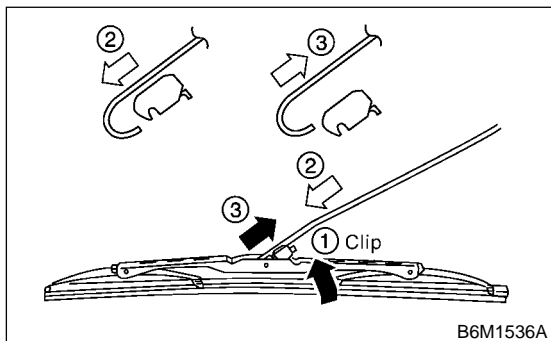
WIPER BLADE

Wiper and Washer Systems

4. Wiper Blade S902392

A: REMOVAL S902392A18

While pushing locking clip up, pull out blade from arm to arrow direction.

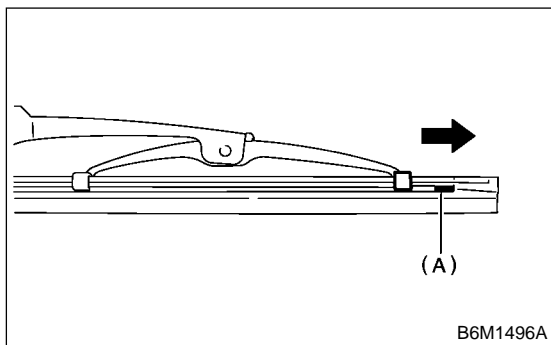


B: INSTALLATION S902392A11

- 1) Install in the reverse order of removal.
- 2) Confirm that clip was locked securely.

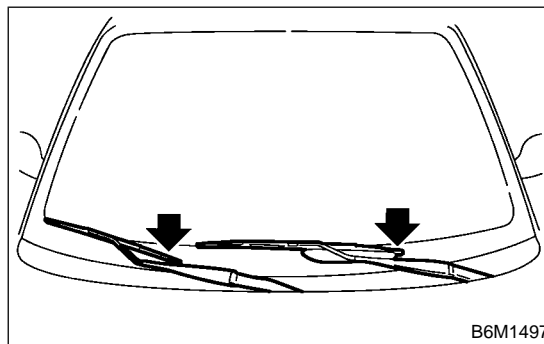
C: DISASSEMBLY S902392A06

Pull on side (A) of the wiper rubber stopper and remove the rubber from the blade assembly.

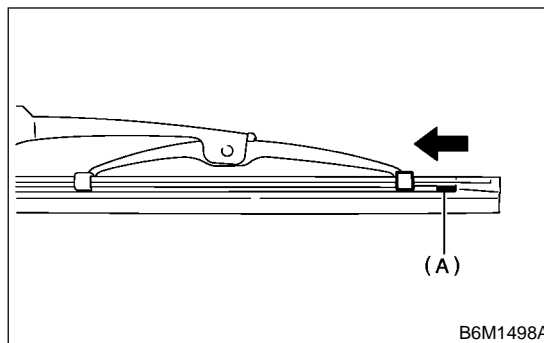


D: ASSEMBLY S902392A02

- 1) Insert the wiper rubber onto the blade so that the stopper is in the position shown (at the bottom of the wiper arm).



- 2) Make sure the wiper rubber is securely fastened to the pull stopper (A).



E: INSPECTION S902392A10

- 1) When the wiper does not perform well, inspect the following:
 - Make sure the movable part of the blade assembly moves smoothly.
 - Make sure the wiper rubber is not deformed or damaged.
- 2) Replace with a new part if damage is found.