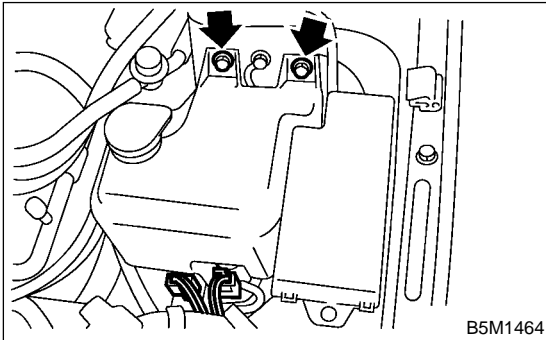


## 5. Washer Tank and Motor S902405

### A: REMOVAL S902405A18

- 1) Open hood.
- 2) Remove the 2 bolts, hose and connector and then remove the tank.



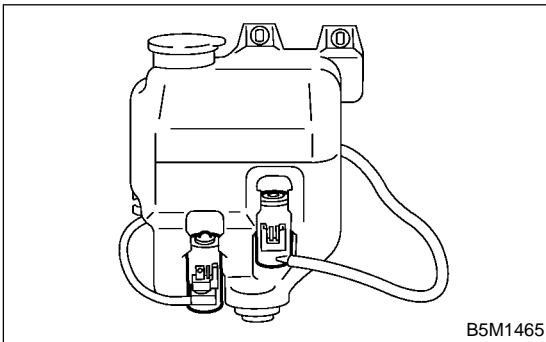
B5M1464

### B: INSTALLATION S902405A11

Install in the reverse order of removal.

### C: DISASSEMBLY S902405A06

Remove washer motor from tank.



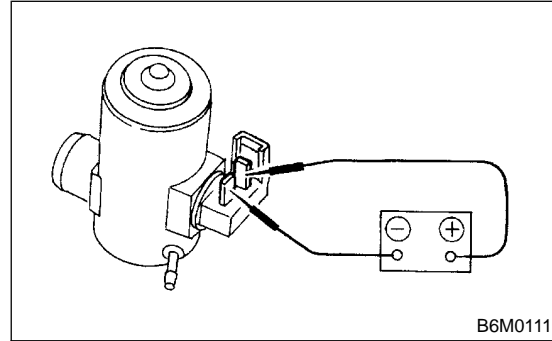
B5M1465

### D: ASSEMBLY S902405A02

- 1) Assemble in the reverse order of disassembly.
- 2) Confirm that water does not leak from installation area of motor.

### E: INSPECTION S902405A10

Apply battery voltage to the connector terminal of the washer motor and make sure the motor operates.



B6M0111