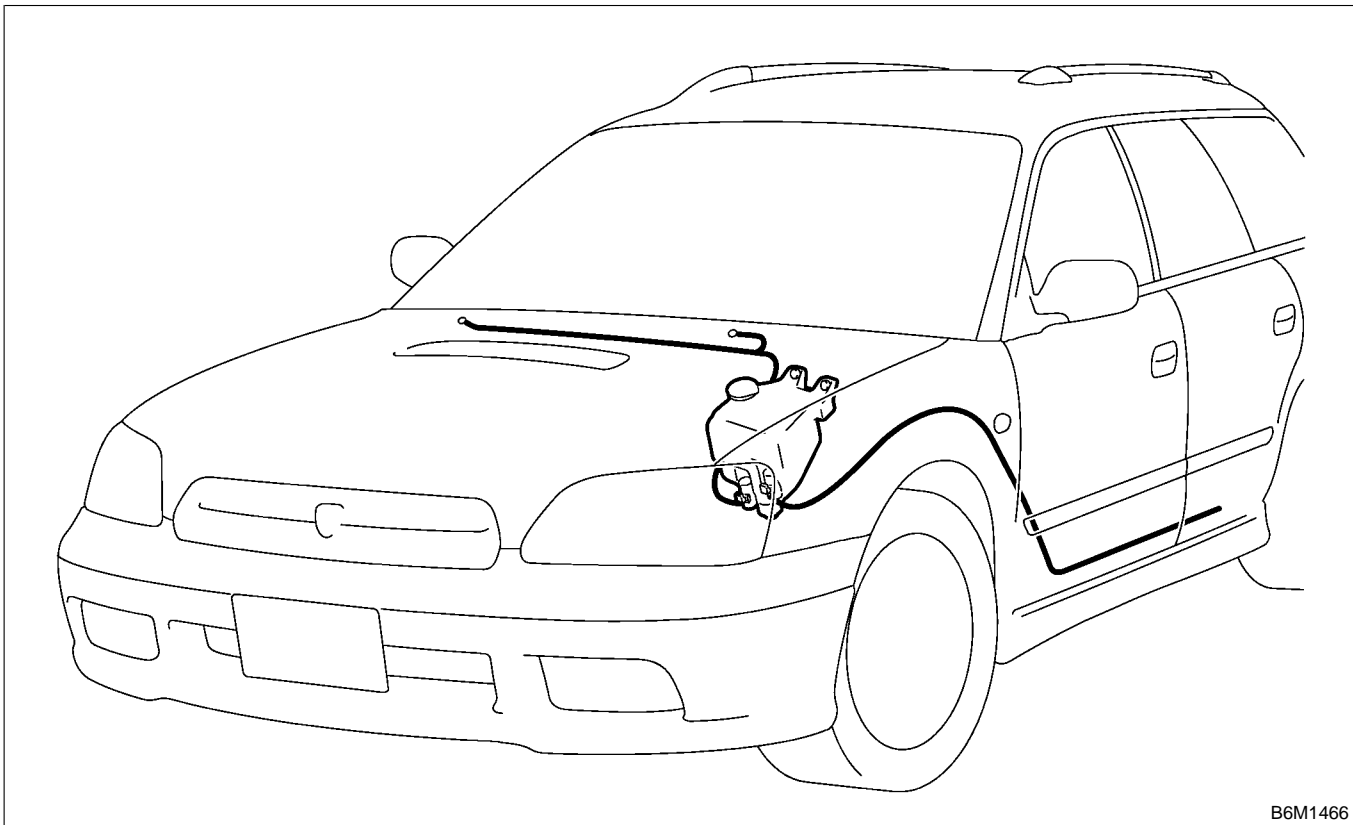


# FRONT WASHER

Wiper and Washer Systems

## 8. Front Washer S902401

### A: LOCATION S902401A13

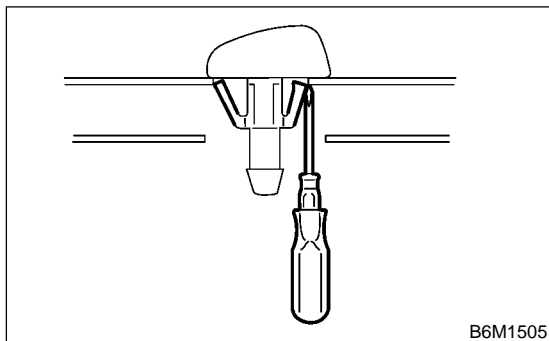


B6M1466

### B: REMOVAL S902401A18

#### 1. NOZZLE S902401A1801

- 1) Remove the washer hose from the washer nozzle.
- 2) Open the clips on the underside of the hood with a thin screwdriver or other tool, and remove the washer nozzle.



B6M1505

### C: INSTALLATION S902401A11

#### 1. NOZZLE S902401A1101

- 1) Install in the reverse order of removal.
- 2) Adjust the position of the washer liquid sprayer. <Ref. to WW-15 ADJUSTMENT, Front Washer.>

### D: INSPECTION S902401A10

- Make sure the nozzle and hose are not clogged.
- Make sure the hose is not bent.

**E: ADJUSTMENT** S902401A01

- 1) Turn wiper switch to OFF position.
- 2) When vehicle stops, adjust washer injection position as shown in the figure.

**Injection position:****A: 350 mm (13.78 in)****B: 100 mm (3.94 in)****C: 200 mm (7.87 in)**