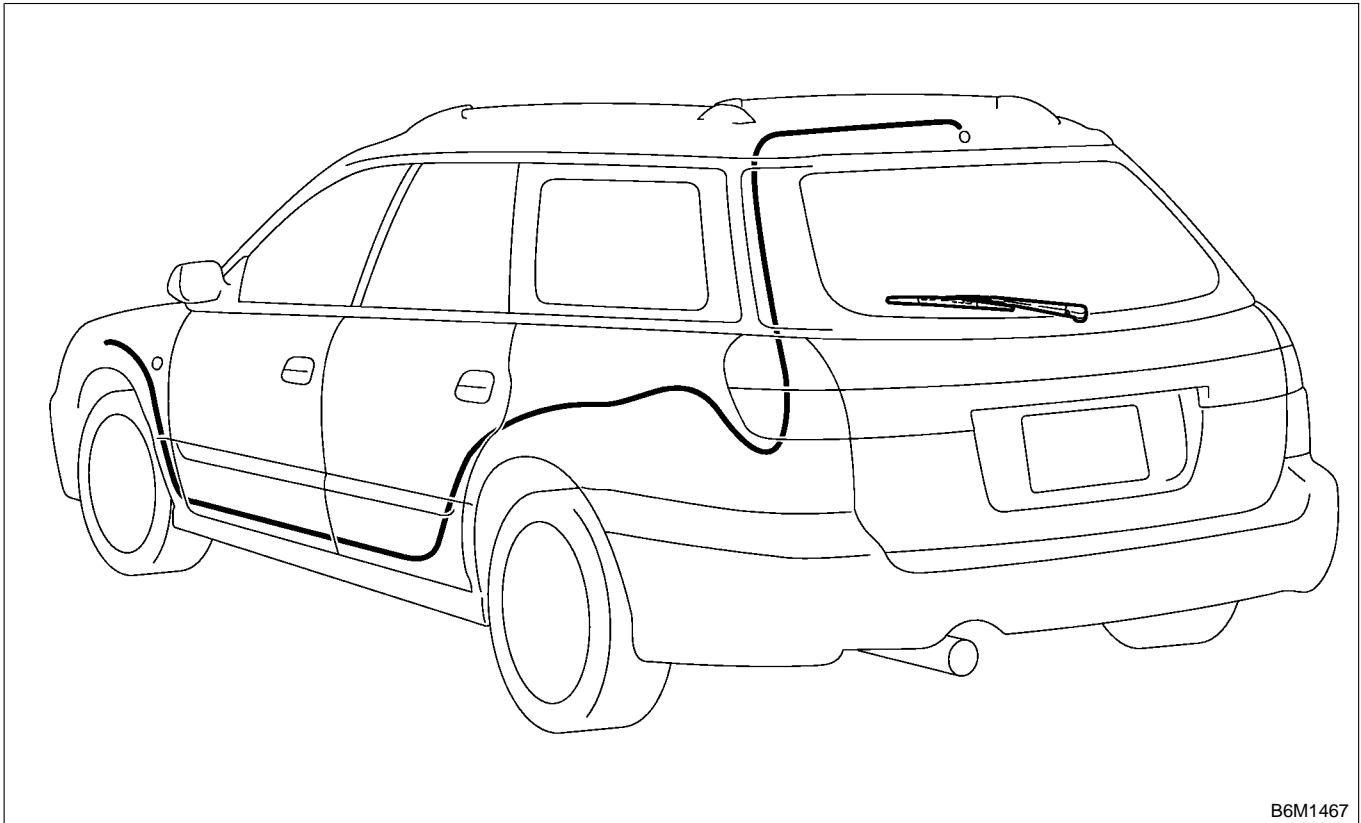


REAR WASHER

Wiper and Washer Systems

11. Rear Washer S902400

A: LOCATION S902400A13

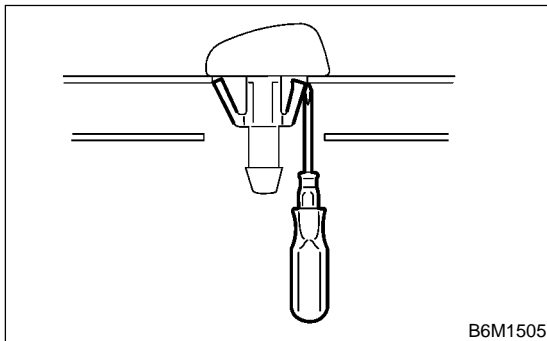


B6M1467

B: REMOVAL S902400A18

1. NOZZLE S902400A1801

- 1) Remove the high-mount stop light. <Ref. to LI-39 REMOVAL, High-mounted Stop Light.>
- 2) Remove the washer hose from the washer nozzle.
- 3) Open the clips on the underside of the hood with a thin screwdriver or other tool, and remove the washer nozzle.



B6M1505

C: INSTALLATION S902400A11

1. NOZZLE S902400A1101

- 1) Install in the reverse order of removal.
- 2) Adjust the position of the washer liquid sprayer. <Ref. to WW-19 ADJUSTMENT, Rear Washer.>

D: INSPECTION S902400A10

- Make sure the nozzle and hose are not clogged.
- Make sure the hose is not bent.

E: ADJUSTMENT S902400A01

- 1) Turn wiper switch to OFF position.
- 2) When vehicle stops, adjust washer injection position as shown in the figure.

Injection position:**A: 60 mm (2.36 in)****B: 42°**