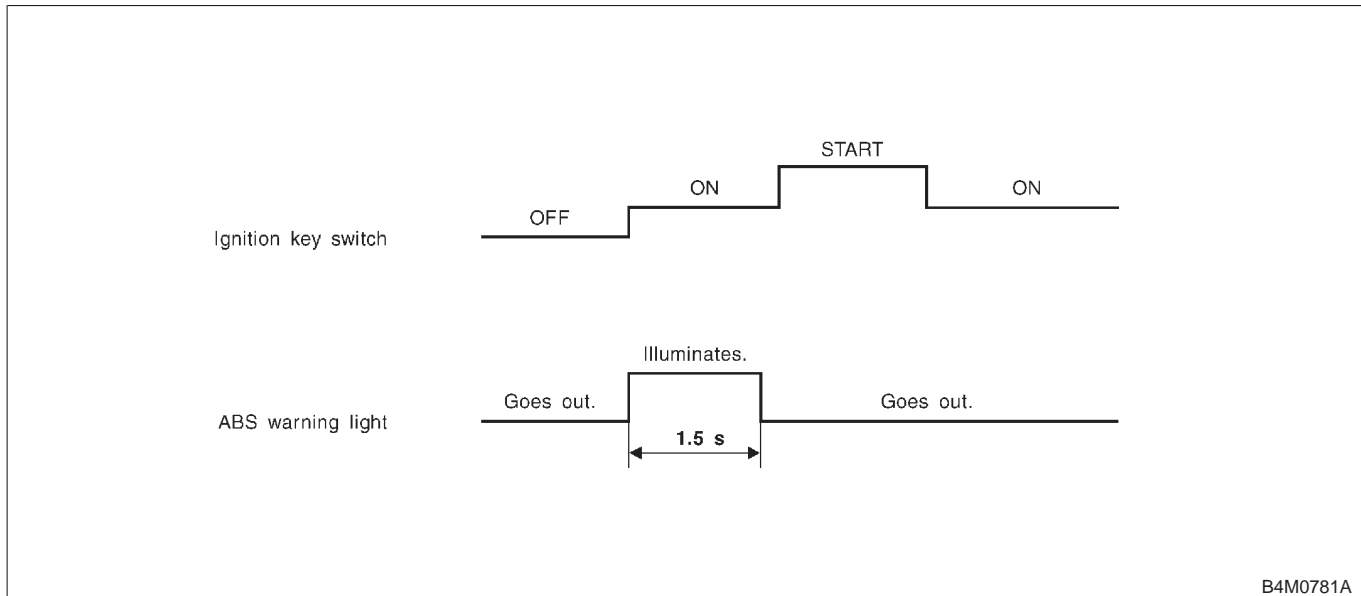


11. ABS Warning Light Illumination Pattern S006581

A: INSPECTION S006581A10



B4M0781A

- 1) When the ABS warning light does not illuminate in accordance with this illumination pattern, there must be an electrical malfunction.
- 2) When the ABS warning light remains constantly OFF, repair the ABS warning light circuit or diagnosis circuit. <Ref. to ABS-26 Diagnostics Chart with Diagnosis Connector.>

NOTE:

Even though the ABS warning light does not go out 1.5 seconds after it illuminates, the ABS system operates normally when the warning light goes out while driving at approximately 12 km/h (7 MPH). However, the Anti-lock brakes do not work while the ABS warning light is illuminated.