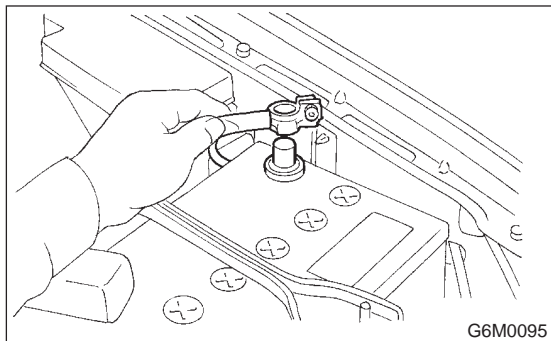


## 8. G Sensor S401183

### A: REMOVAL S401183A18

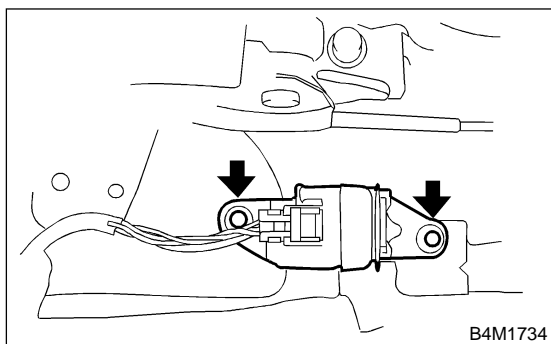
- 1) Disconnect battery ground terminal.



- 2) Remove console cover.  
<Ref. to EI-36 Console Box.>
- 3) Disconnect connector from G sensor.
- 4) Remove G sensor from body.

### CAUTION:

Do not drop or bump G sensor.

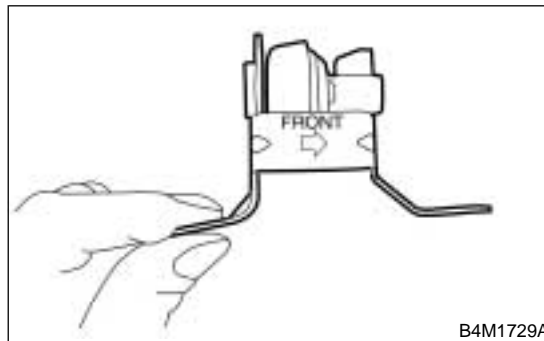


### B: INSTALLATION S401183A11

- 1) Install in the reverse order of removal.

### NOTE:

Do not install G sensor in the wrong direction. There is an arrow mark on the sensor showing which side faces the vehicle front.



C: INSPECTION S401183A10

No.	Step	Check	Yes	No
1	<b>CHECK SUBARU SELECT MONITOR.</b>	Do you have SUBARU SELECT MONITOR?	Go to step 5.	Go to step 2.
2	<b>CHECK G SENSOR.</b> 1) Turn ignition switch to OFF. 2) Remove G sensor from vehicle. 3) Connect connector to G sensor. 4) Turn ignition switch to ON. 5) Measure voltage between G sensor connector terminals. <b>Connector &amp; terminal:</b> <b>(R70) No. 2 (+) — No. 3 (-)</b>	Is the voltage $2.3\pm 0.2$ V when G sensor is horizontal?	Go to step 3.	Replace G sensor.
3	<b>CHECK G SENSOR.</b> Measure voltage between G sensor connector terminals. <b>Connector &amp; terminal:</b> <b>(R70) No. 2 (+) — No. 3 (-)</b>	Is the voltage $3.9\pm 0.2$ V when G sensor is inclined forwards to $90^\circ$ ?	Go to step 4.	Replace G sensor.
4	<b>CHECK G SENSOR.</b> Measure voltage between G sensor connector terminals. <b>Connector &amp; terminal:</b> <b>(R70) No. 2 (+) — No. 3 (-)</b>	Is the voltage $0.7\pm 0.2$ V when G sensor is inclined backwards to $90^\circ$ ?	G sensor is normal.	Replace G sensor.
5	<b>CHECK G SENSOR.</b> 1) Turn ignition switch to OFF. 2) Connect select monitor connector to data link connector. 3) Turn select monitor into {BRAKE CONTROL} mode. 4) Set the display in the {Current Data Display & Save} mode. 5) Read the G sensor output voltage.	Is the indicated reading $2.3\pm 0.2$ V when the vehicle is in horizontal position?	Go to step 6.	Replace G sensor.
6	<b>CHECK G SENSOR.</b> 1) Remove console box. 2) Remove G sensor from vehicle. (Do not disconnect connector.) 3) Read the select monitor display.	Is the indicated reading $3.9\pm 0.2$ V when G sensor is inclined forwards to $90^\circ$ ?	Go to step 7.	Replace G sensor.
7	<b>CHECK G SENSOR.</b> Read the select monitor display.	Is the indicated reading $0.7\pm 0.2$ V when G sensor is inclined backwards to $90^\circ$ ?	G sensor is normal.	Replace G sensor.

**MEMO:**