

6. Rear Disc Brake Assembly

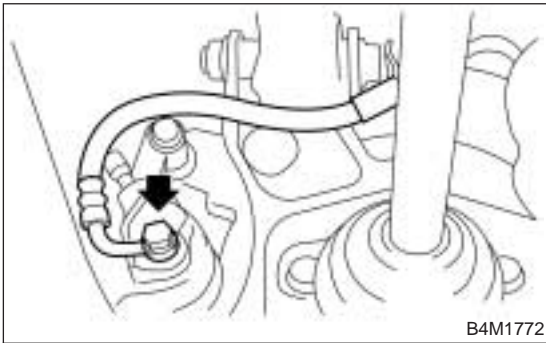
S405172

A: REMOVAL S405172A18

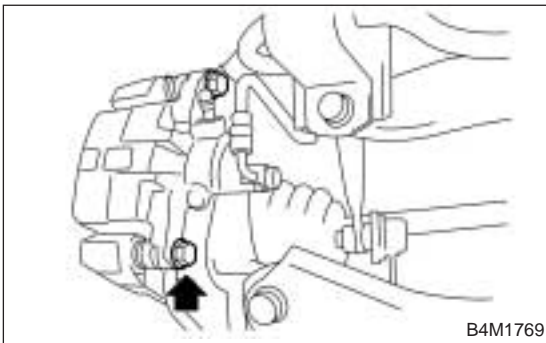
- 1) Lift-up vehicle and remove wheels.
- 2) Disconnect brake hose from caliper body assembly.

CAUTION:

Do not allow brake fluid to come in contact with vehicle body; wipe off completely if spilled.



- 3) Remove lock pin.



- 4) Raise caliper body and move it toward vehicle center to separate it from support.
- 5) Remove support from back plate.

NOTE:

Remove support only when replacing it or the rotor. It need not be removed when servicing caliper body assembly.

- 6) Clean mud and foreign particles from caliper body assembly and support.

CAUTION:

Be careful not to allow foreign particles to enter inlet (at brake hose connector).

B: INSTALLATION S405172A11

- 1) Install disc rotor on hub.
- 2) Install support on back plate.

Tightening torque:

78 N·m (8.0 kgf-m, 58 ft-lb)

CAUTION:

- Always replace the pads for both the left and right wheels at the same time. Also replace pad clips if they are twisted or worn.
- A wear indicator is provided on the inner disc brake pad. If the pad wears down to such an extent that the end of the wear indicator contacts the disc rotor, a squeaking sound is produced as the wheel rotates. If this sound is heard, replace the pad.
- Replace pads if there is oil or grease on them.

- 3) Apply thin coat of Molykote AS880N (Part No. 26298AC000) to the frictional portion between pad and pad clip.

- 4) Install pads on support.
- 5) Install caliper body on support.

Tightening torque:

39 N·m (4.0 kgf-m, 28.9 ft-lb)

- 6) Connect brake hose.

Tightening torque:

18 N·m (1.8 kgf-m, 13.0 ft-lb)

CAUTION:

- The brake hose must be connected without any twist.
- Replace brake hose gaskets with new ones.

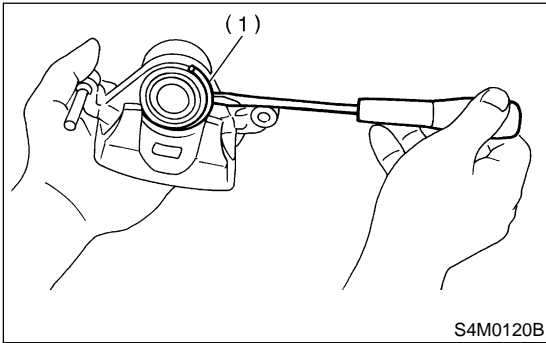
- 7) Bleed air from brake system.

REAR DISC BRAKE ASSEMBLY

Brake

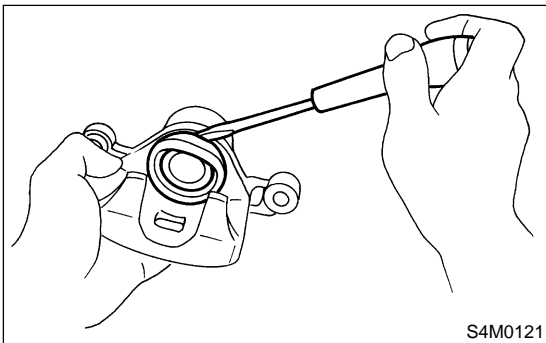
C: DISASSEMBLY S40517ZA06

1) Remove the boot ring.



(1) Boot ring

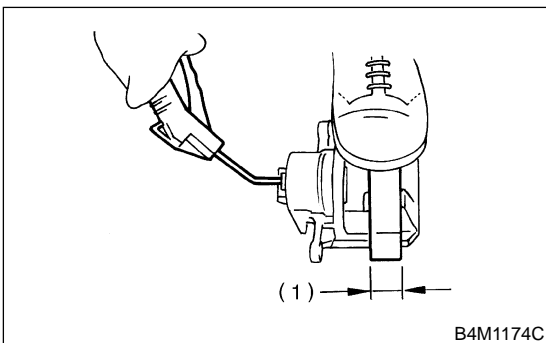
2) Remove the piston boot.



3) Gradually supply compressed air via inlet of caliper body to force piston out.

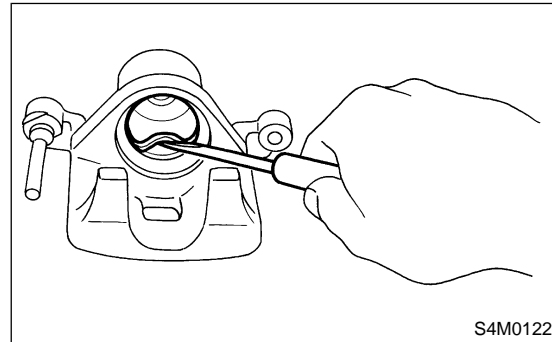
CAUTION:

- Place a wooden block as shown in Figure to prevent damage to piston.
- Do not apply excessively high-pressure.



(1) Place a 30 mm (1.18 in) wide wooden block here.

4) Remove piston seal from caliper body cylinder.



5) Remove lock pin sleeve and boot from caliper body.

6) Remove guide pin boot.

D: ASSEMBLY S405172A02

- 1) Clean caliper body interior using brake fluid.
- 2) Apply a coat of brake fluid to piston seal and fit piston seal in groove on caliper body.
- 3) Apply a coat of brake fluid to the entire inner surface of cylinder and outer surface of piston.
- 4) Insert piston into cylinder.

CAUTION:

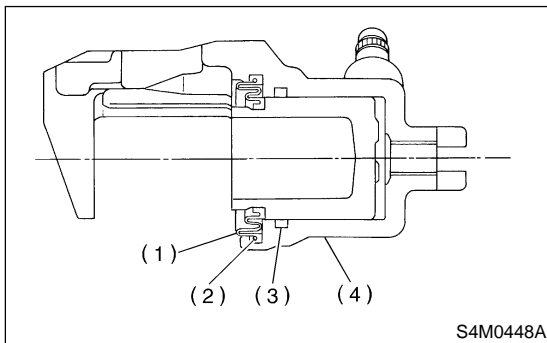
Do not force piston into cylinder.

- 5) Apply a coat of specified grease to boot and fit in groove on ends of cylinder and piston.

Grease:

NIGLUBE RX-2 (Part No. 003606000)

- 6) Install the piston boot to the caliper body, and attach boot ring.

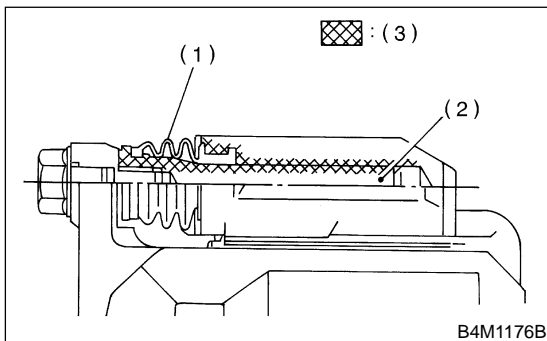


- (1) Piston boot
- (2) Boot ring
- (3) Piston seal
- (4) Caliper body

- 7) Apply a coat of specified grease to guide pin, outer surface, sleeve outer surface, cylinder inner surface, and boot grooves.

Grease:

NIGLUBE RX-2 (Part No. 003606000)



- (1) Pin boot
- (2) Lock pin or guide pin
- (3) Apply grease.

- 8) Install guide pin boot on caliper body.
- 9) Install lock pin boot on caliper body and insert lock pin sleeve into place.

E: INSPECTION S405172A10

- 1) Repair or replace faulty parts.
- 2) Check caliper body and piston for uneven wear, damage or rust.
- 3) Check rubber parts for damage or deterioration.