

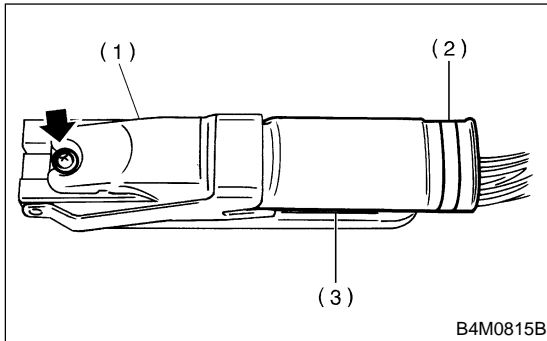
6. VDCCM Connector Cover S005598

A: REMOVE S005598E47

- 1) Turn ignition switch OFF.
- 2) Disconnect connector from VDCCM.
- 3) Remove band.
- 4) Remove cable clamp cover.
- 5) Remove screws securing connector cover.

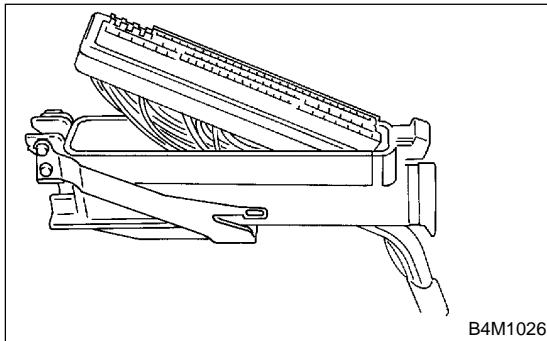
CAUTION:

Do not allow harness to catch on adjacent parts during installation.



- (1) Connector cover
- (2) Band
- (3) Cable clamp cover

- 6) Remove connector cover.

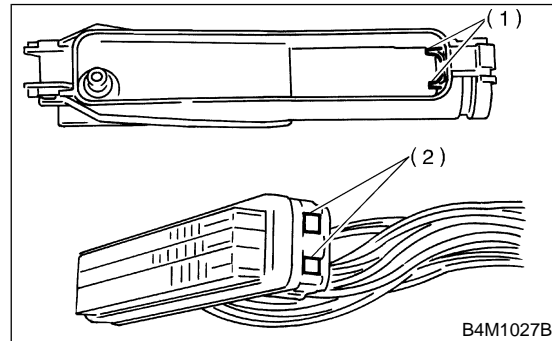


B: INSTALLATION S005598A11

Install in the reverse order of removal.

NOTE:

Align connector cover rib with connector hole before installation.



- (1) Rib
- (2) Hole