

READ DIAGNOSTIC TROUBLE CODE

VDC (DIAGNOSTICS)

9. Read Diagnostic Trouble Code

S005508

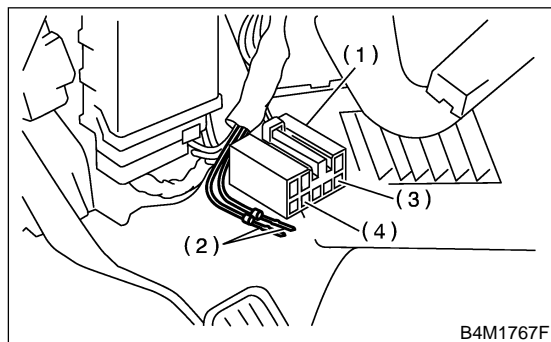
A: OPERATION

S005508A16

1. WITHOUT SUBARU SELECT MONITOR

S005508A1602

1) Take out diagnosis connector from side of driver's seat heater unit.



- (1) Diagnosis connector
- (2) Diagnosis terminal
- (3) 8 terminal
- (4) 5 terminal

- 2) Turn ignition switch OFF.
- 3) Connect diagnosis connector terminal 8 to diagnosis terminal.
- 4) Turn ignition switch ON.
- 5) ABS warning light is set in the diagnostic mode and blinks to identify trouble code.

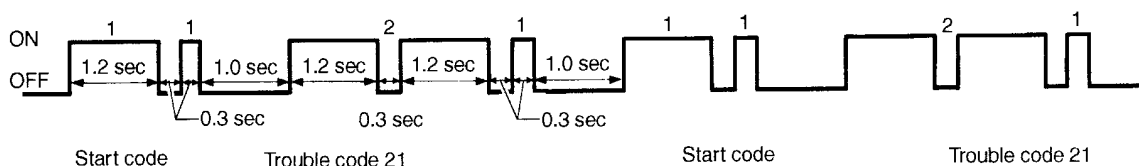
6) After the start code (11) is shown, the trouble codes will be shown in order of the last information first. These repeat for a maximum of 5 minutes.

NOTE:

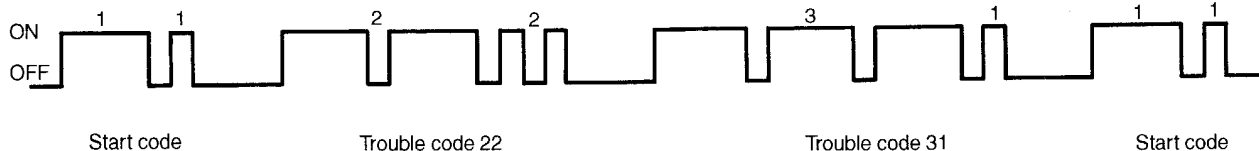
- When there are no trouble codes in memory, only the start code (11) is shown.
- When on-board diagnosis of the VDC control module detects a problem, the information (up to a maximum of three) will be stored in the EEP ROM as a trouble code. When there are more than three, the most recent three will be stored. (Stored codes will stay in memory until they are cleared.)

Example of code indication

Trouble code: 21



Trouble code: 22, 31



2. WITH SUBARU SELECT MONITOR

S005508A1601

Refer to SUBARU SELECT MONITOR for information about how to obtain and understand trouble codes. <Ref. to VDC-19 Subaru Select Monitor.>