

ELECTRICAL COMPONENTS LOCATION

Engine (DIAGNOSTICS)

4. Electrical Components Location

S008507

A: LOCATION

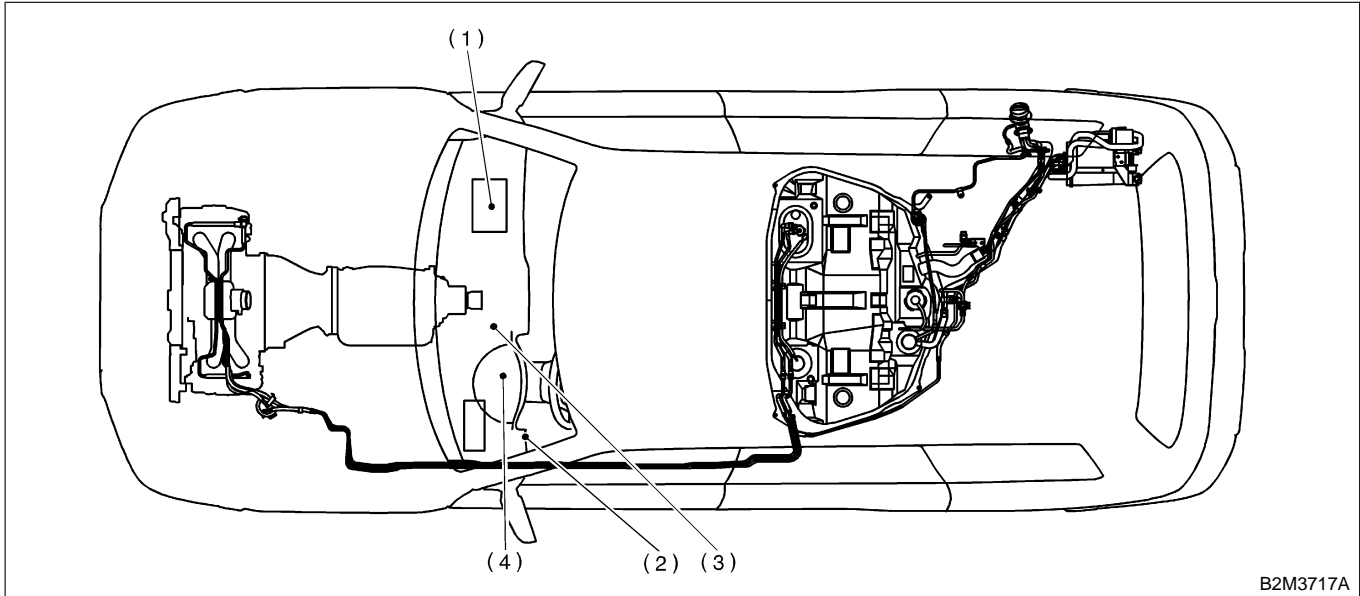
S008507A13

1. ENGINE (MT VEHICLES)

S008507A1303

● MODULE

S008507A130301

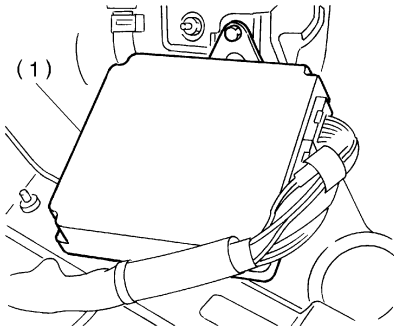


B2M3717A

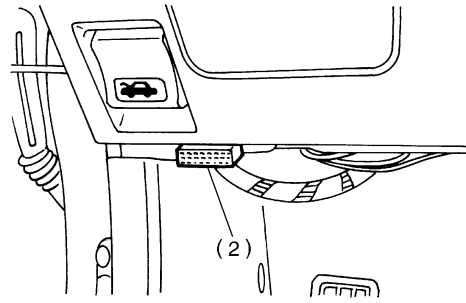
- | | |
|--|---|
| (1) Engine control module (ECM) | (3) Test mode connector |
| (2) Data link connector (for Subaru Select Monitor and OBD-II general scan tool) | (4) CHECK ENGINE malfunction indicator lamp (MIL) |

ELECTRICAL COMPONENTS LOCATION

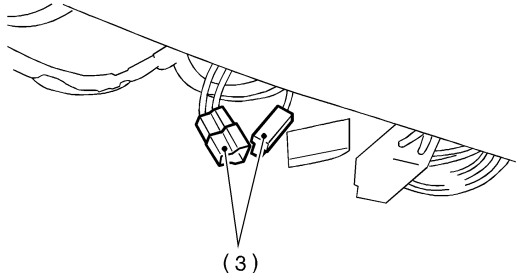
Engine (DIAGNOSTICS)



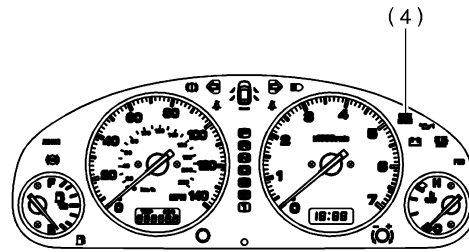
B3M1575A



B2M2960E



B2M2238D

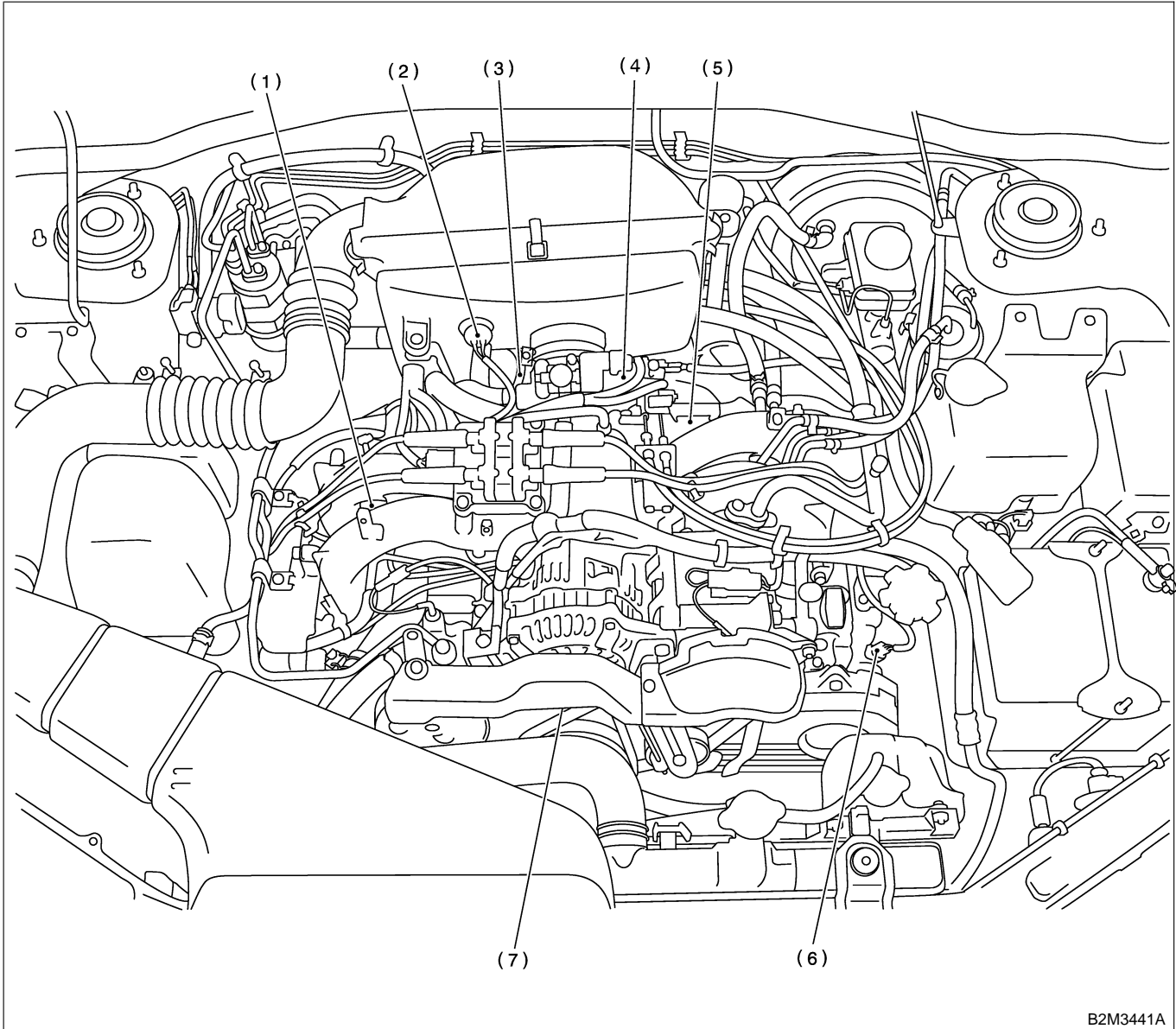


B2M3701A

ELECTRICAL COMPONENTS LOCATION

Engine (DIAGNOSTICS)

● SENSOR S008507A130302



B2M3441A

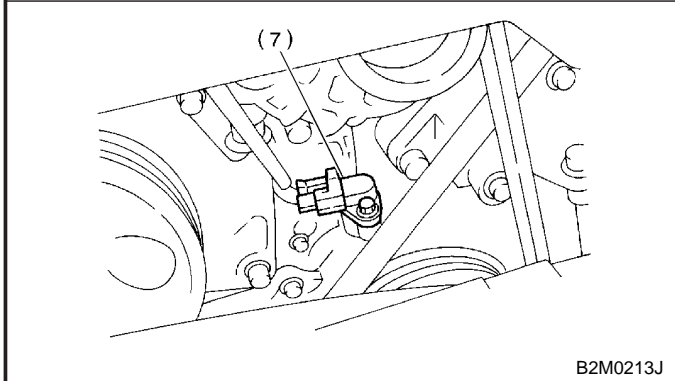
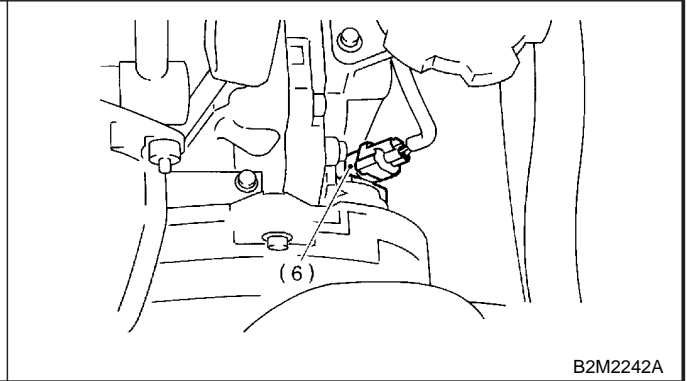
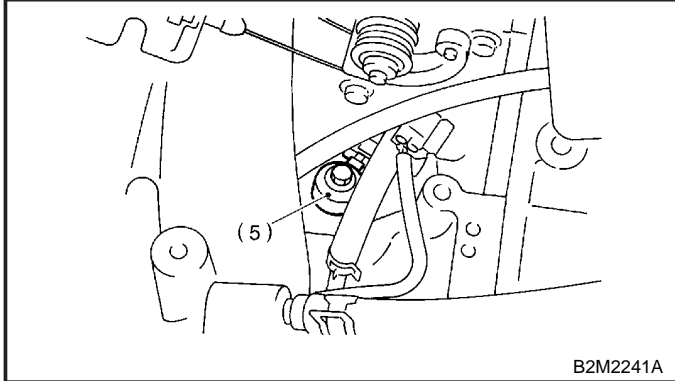
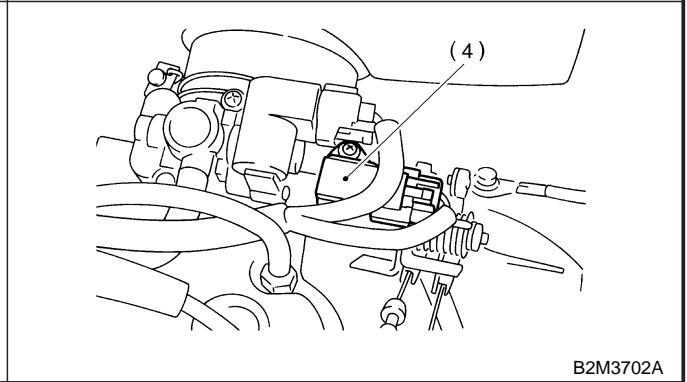
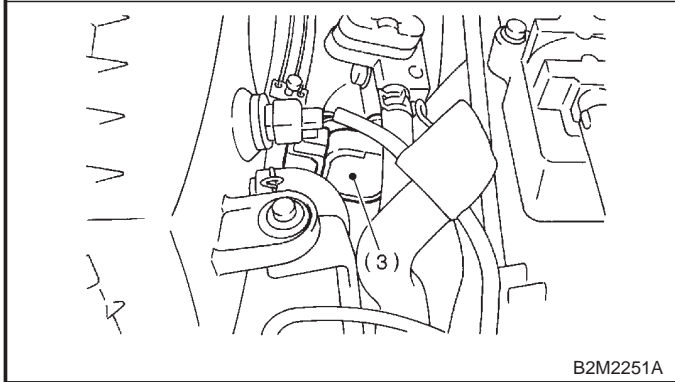
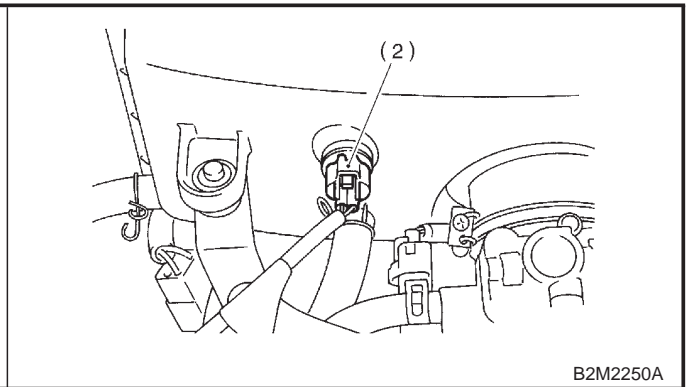
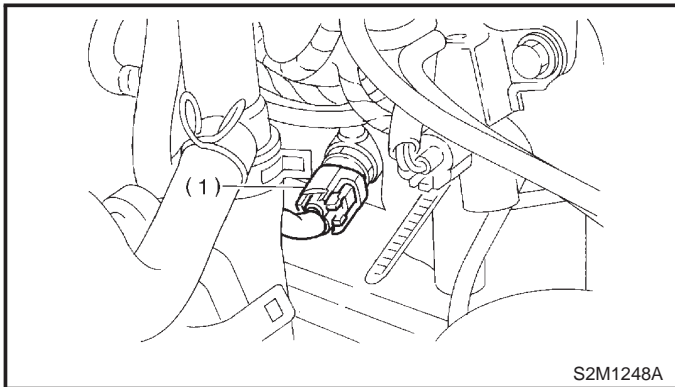
- (1) Engine coolant temperature sensor
- (2) Intake air temperature sensor

- (3) Throttle position sensor
- (4) Intake manifold pressure sensor
- (5) Knock sensor

- (6) Camshaft position sensor
- (7) Crankshaft position sensor

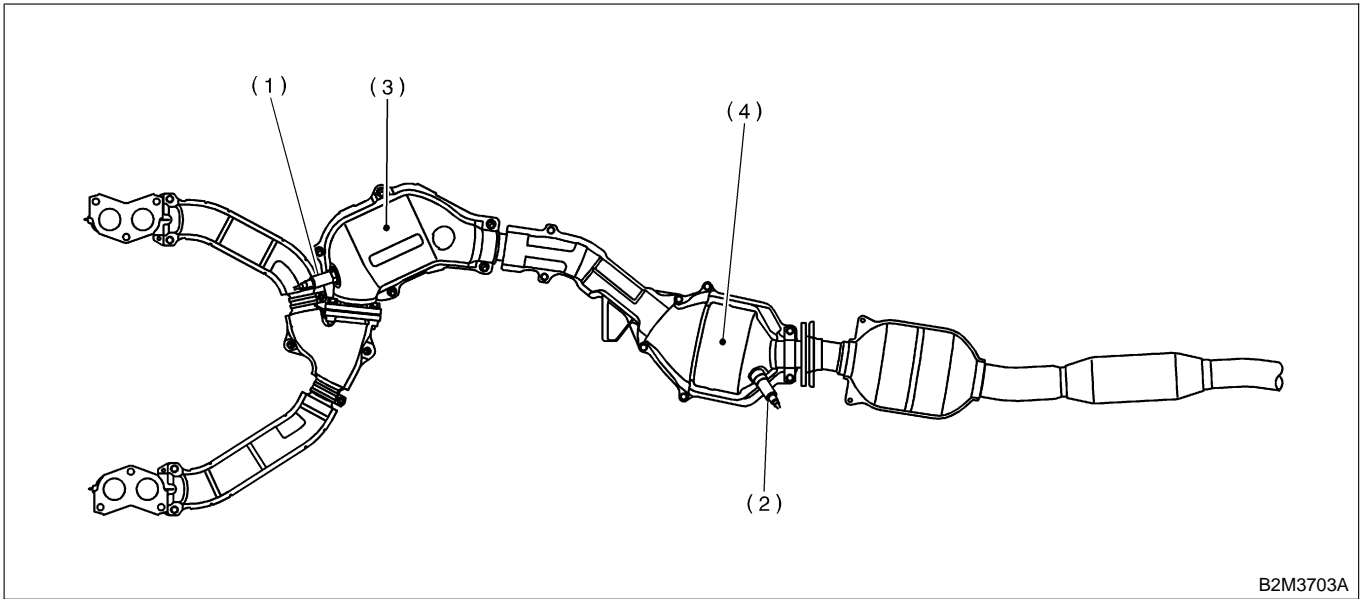
ELECTRICAL COMPONENTS LOCATION

Engine (DIAGNOSTICS)



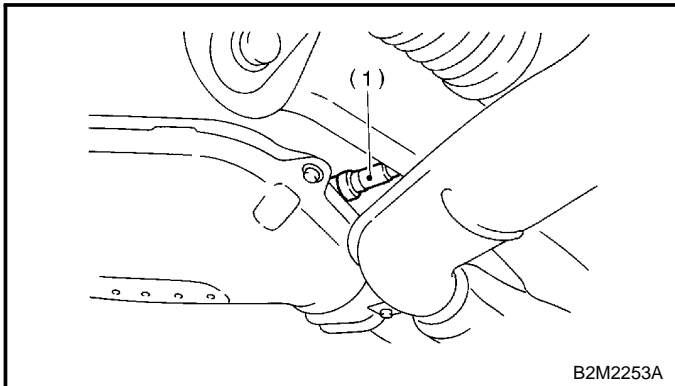
ELECTRICAL COMPONENTS LOCATION

Engine (DIAGNOSTICS)

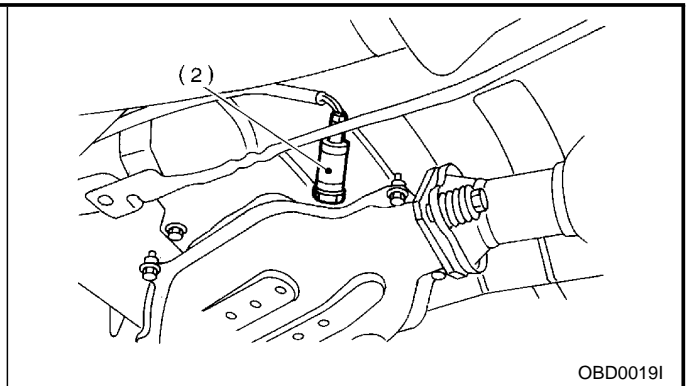


B2M3703A

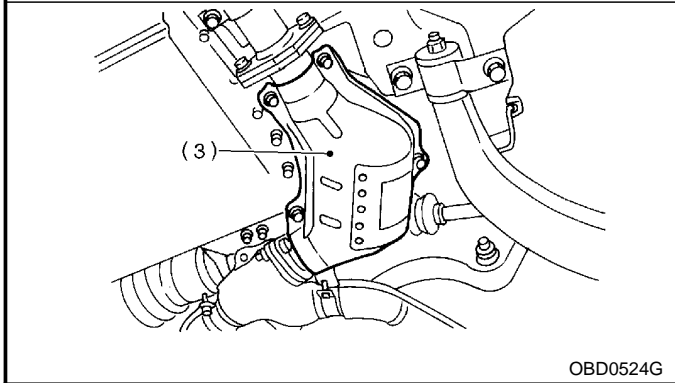
- (1) Front oxygen (A/F) sensor
- (2) Rear oxygen sensor
- (3) Front catalytic converter
- (4) Rear catalytic converter



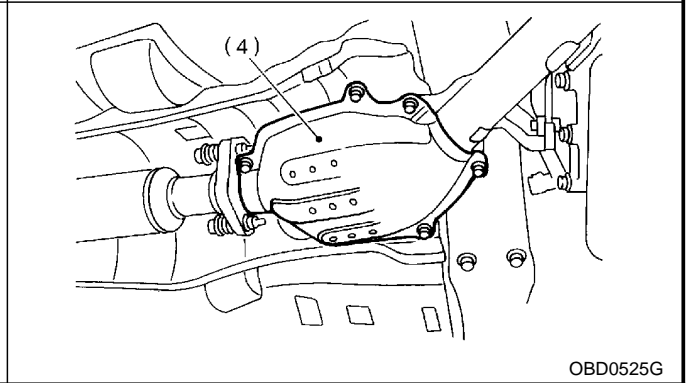
B2M2253A



OBD0019I



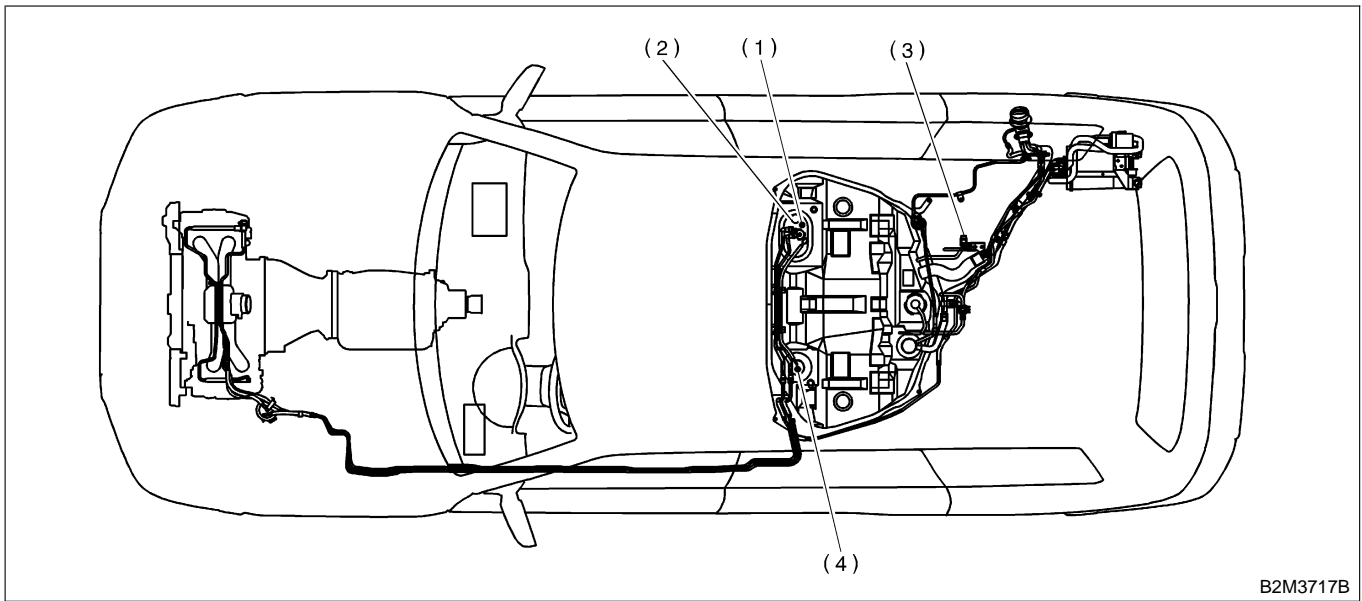
OBD0524G



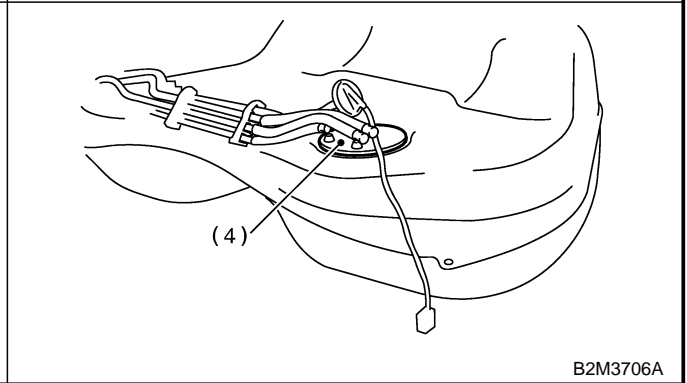
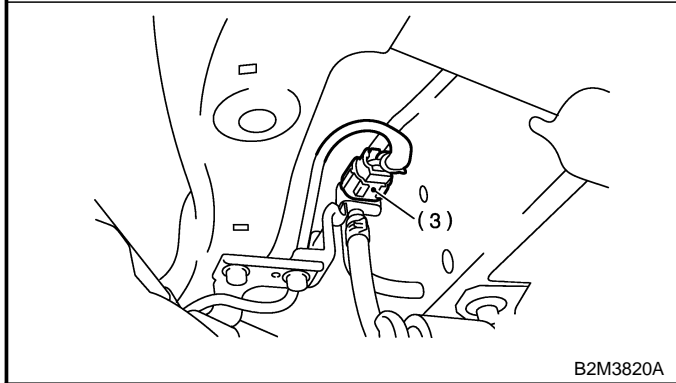
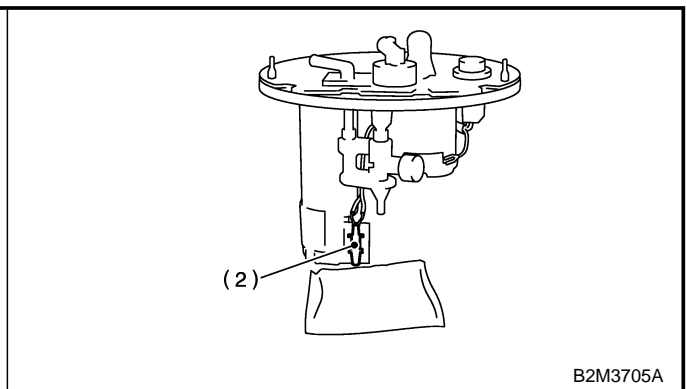
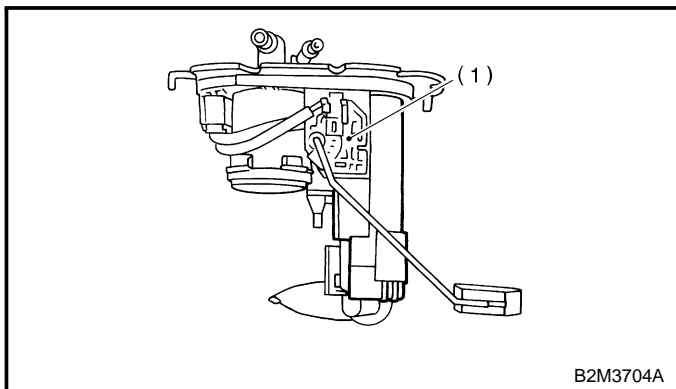
OBD0525G

ELECTRICAL COMPONENTS LOCATION

Engine (DIAGNOSTICS)



- (1) Fuel level sensor
- (2) Fuel temperature sensor
- (3) Fuel tank pressure sensor
- (4) Fuel sub level sensor

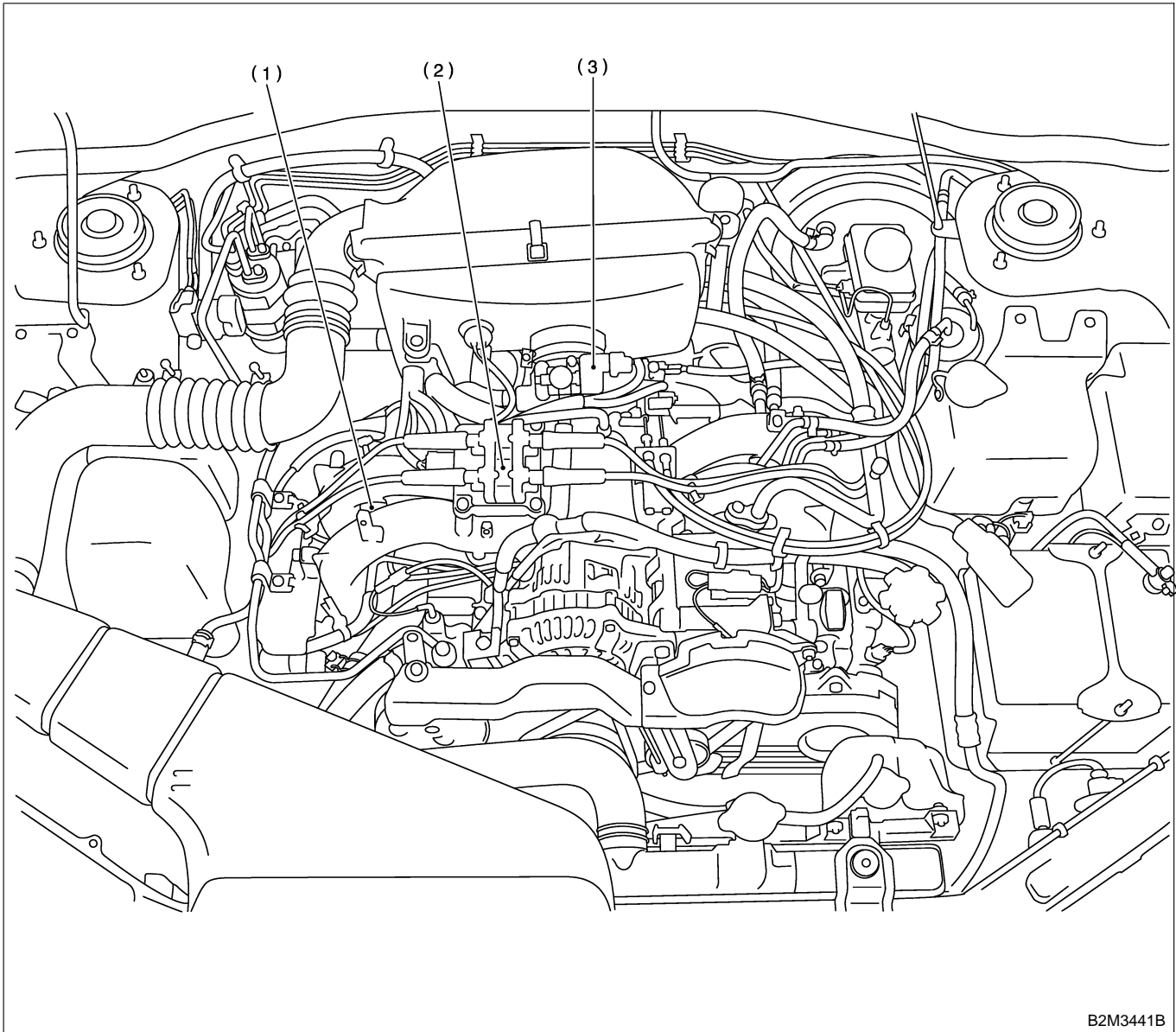


ELECTRICAL COMPONENTS LOCATION

Engine (DIAGNOSTICS)

● SOLENOID VALVE, EMISSION CONTROL SYSTEM PARTS AND IGNITION SYSTEM PARTS

S008507A130303



B2M3441B

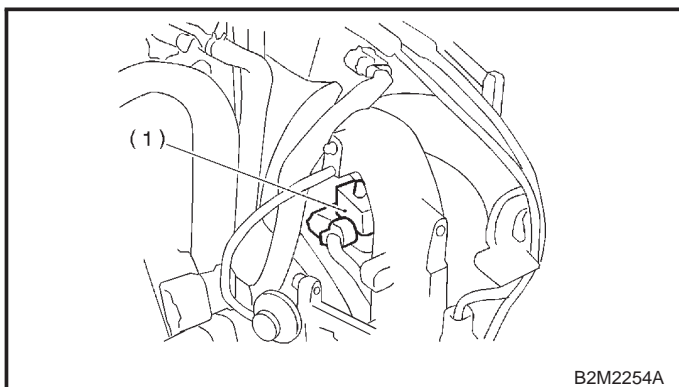
(1) Purge control solenoid valve

(2) Ignition coil & ignitor ASSY

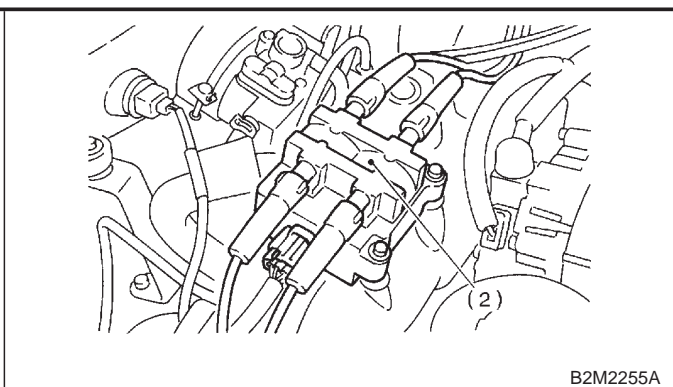
(3) Idle air control solenoid valve

ELECTRICAL COMPONENTS LOCATION

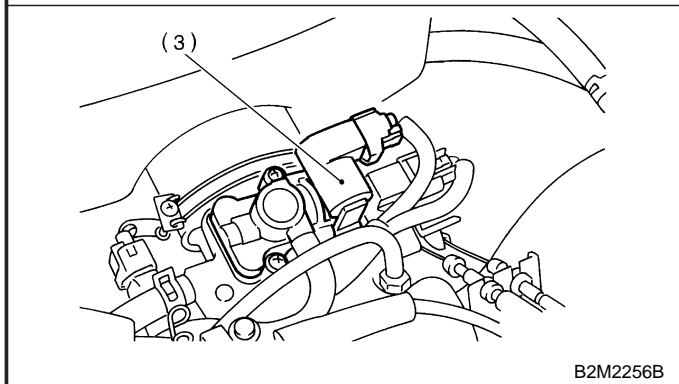
Engine (DIAGNOSTICS)



B2M2254A



B2M2255A

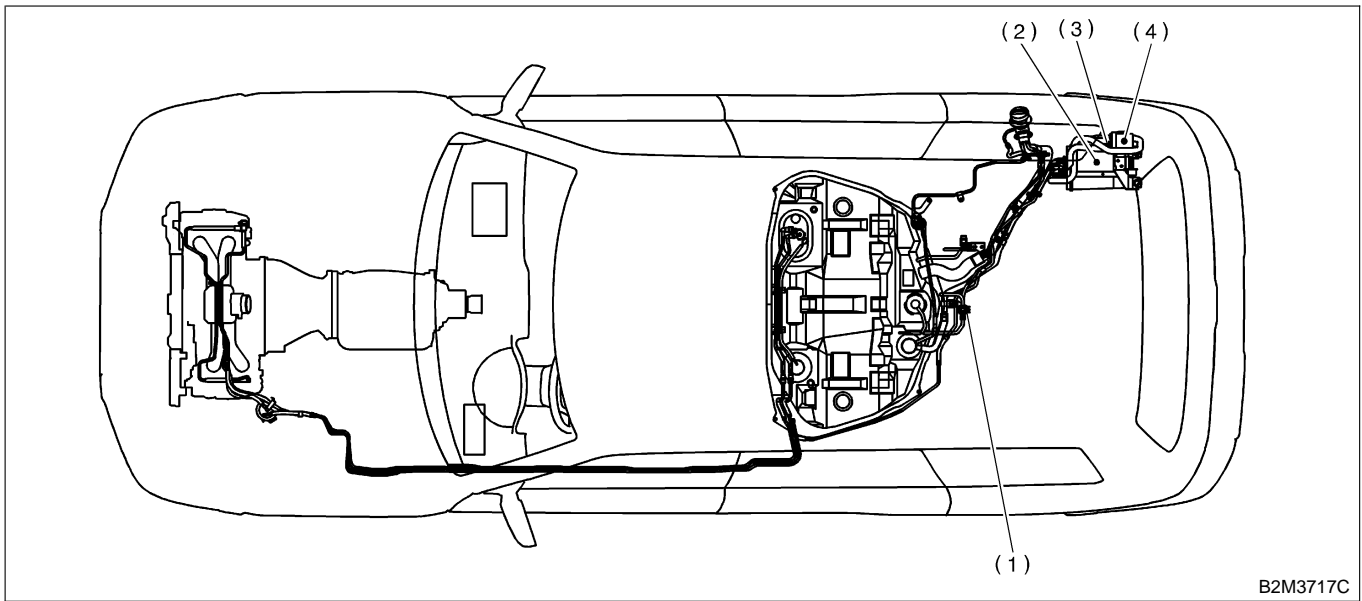


B2M2256B

SUBARU.

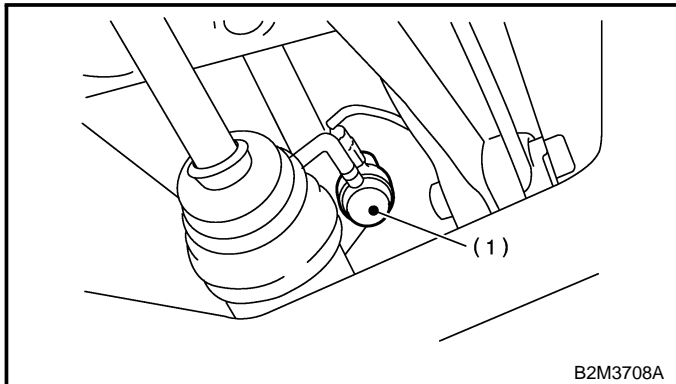
ELECTRICAL COMPONENTS LOCATION

Engine (DIAGNOSTICS)

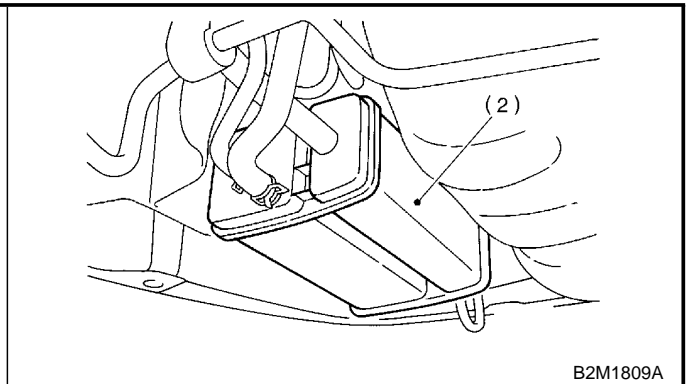


B2M3717C

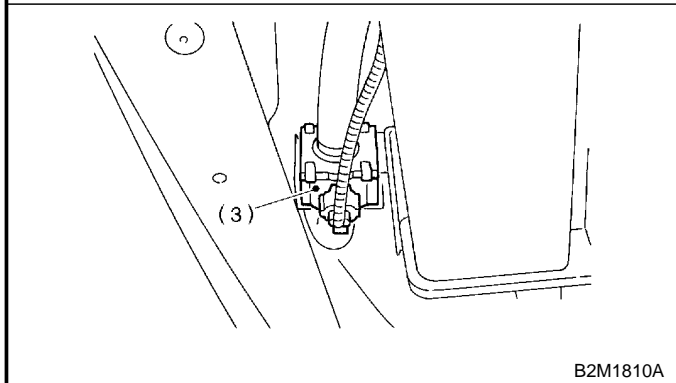
- (1) Pressure control solenoid valve
- (2) Canister
- (3) Drain valve
- (4) Drain filter



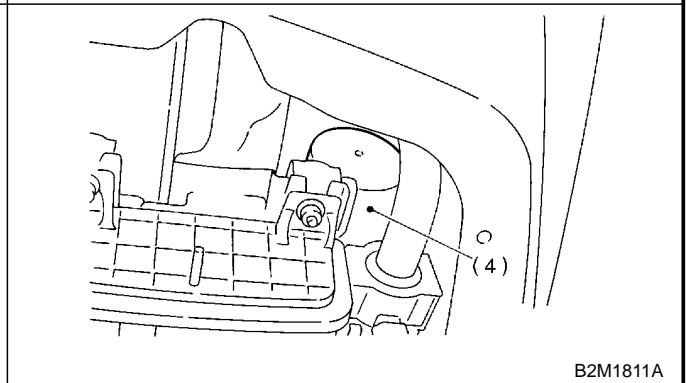
B2M3708A



B2M1809A



B2M1810A



B2M1811A

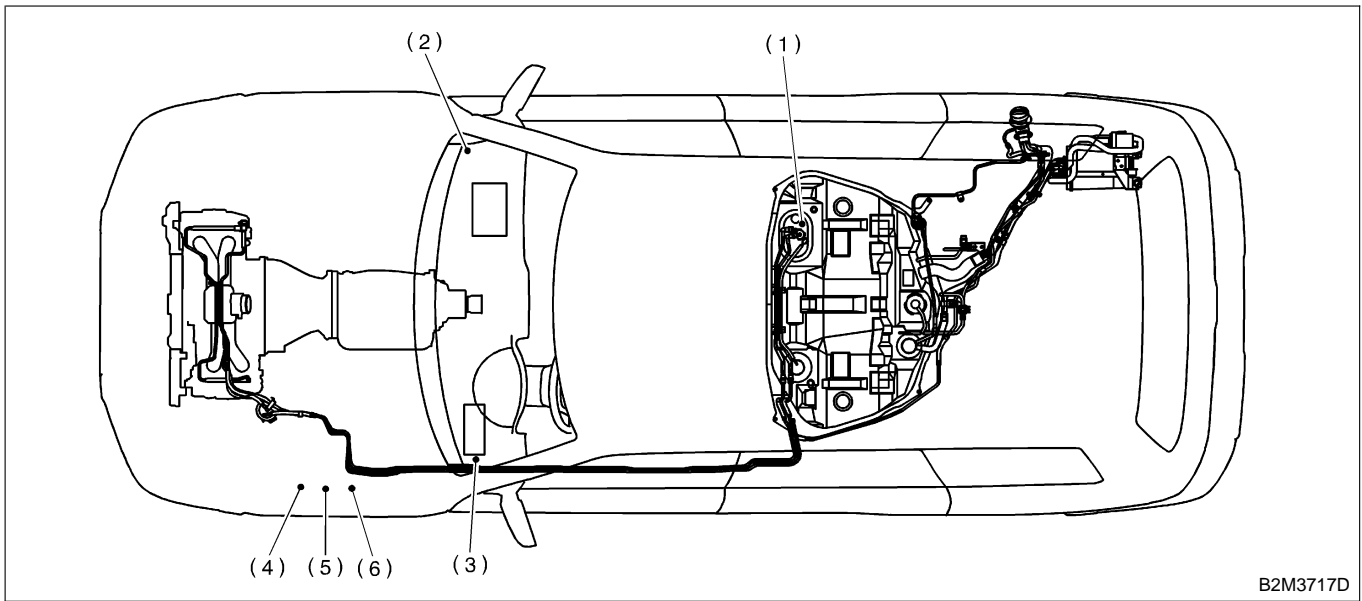
ELECTRICAL COMPONENTS LOCATION

Engine (DIAGNOSTICS)

MEMO:

ELECTRICAL COMPONENTS LOCATION

Engine (DIAGNOSTICS)



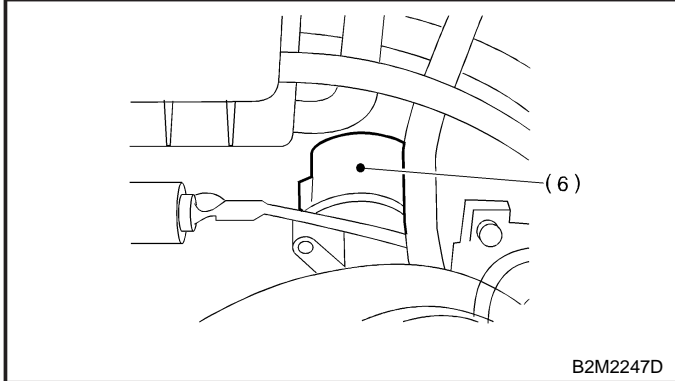
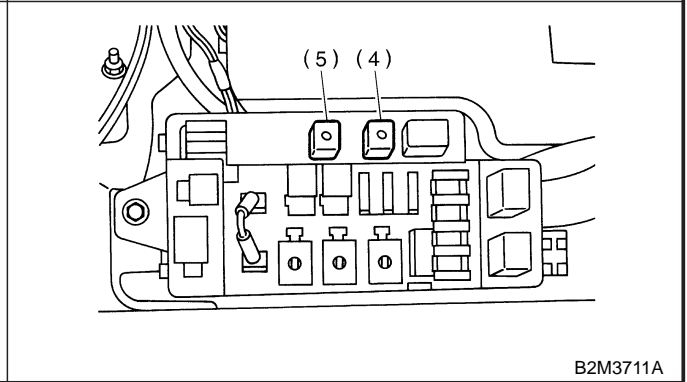
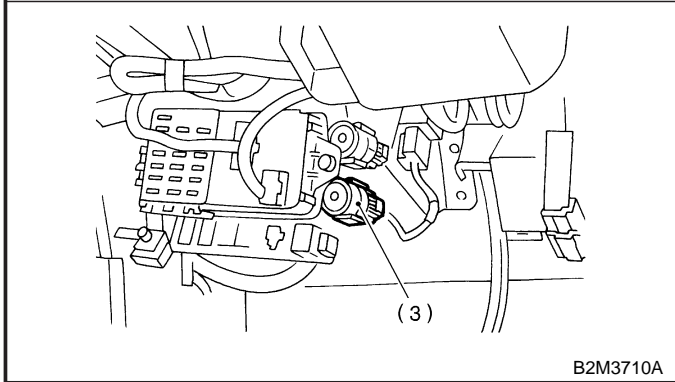
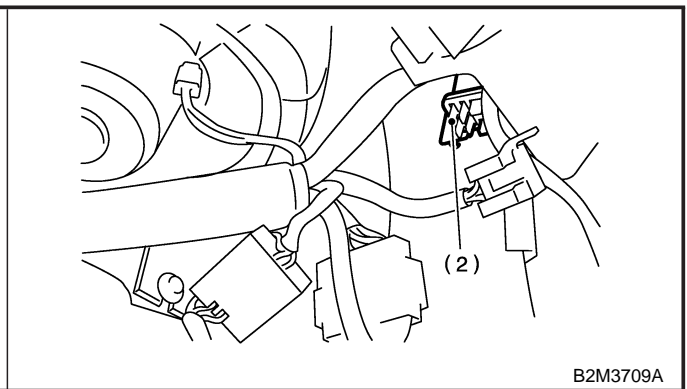
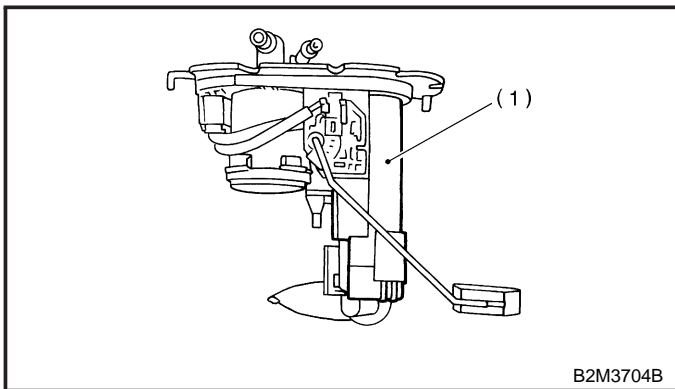
(1) Fuel pump
(2) Main relay

(3) Fuel pump relay
(4) Radiator main fan relay

(5) Radiator sub fan relay
(6) Starter

ELECTRICAL COMPONENTS LOCATION

Engine (DIAGNOSTICS)

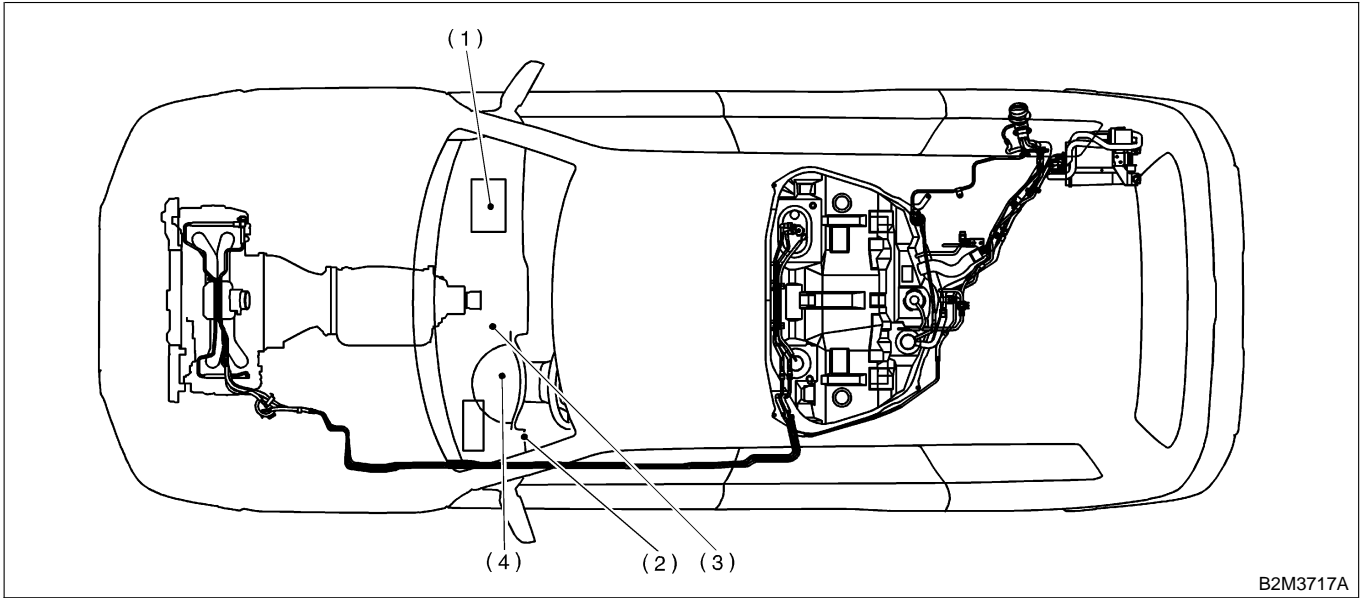


ELECTRICAL COMPONENTS LOCATION

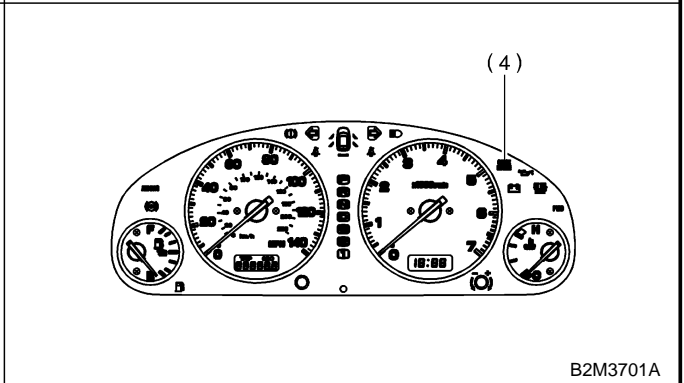
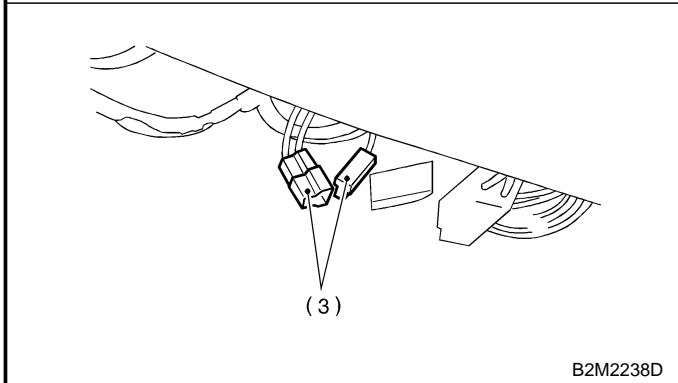
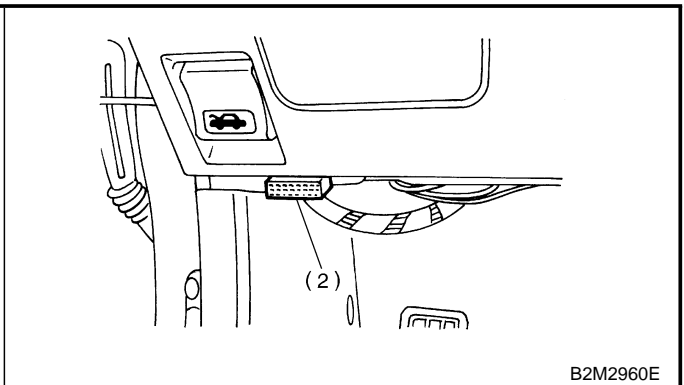
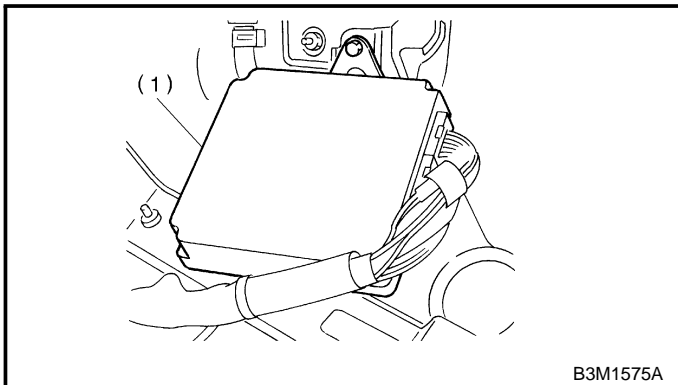
Engine (DIAGNOSTICS)

2. ENGINE (AT VEHICLES) S008507A1304

● MODULE S008507A130401



- (1) Engine control module (ECM)
- (2) Data link connector (for Subaru Select Monitor and OBD-II general scan tool)
- (3) Test mode connector
- (4) CHECK ENGINE malfunction indicator lamp (MIL)



ELECTRICAL COMPONENTS LOCATION

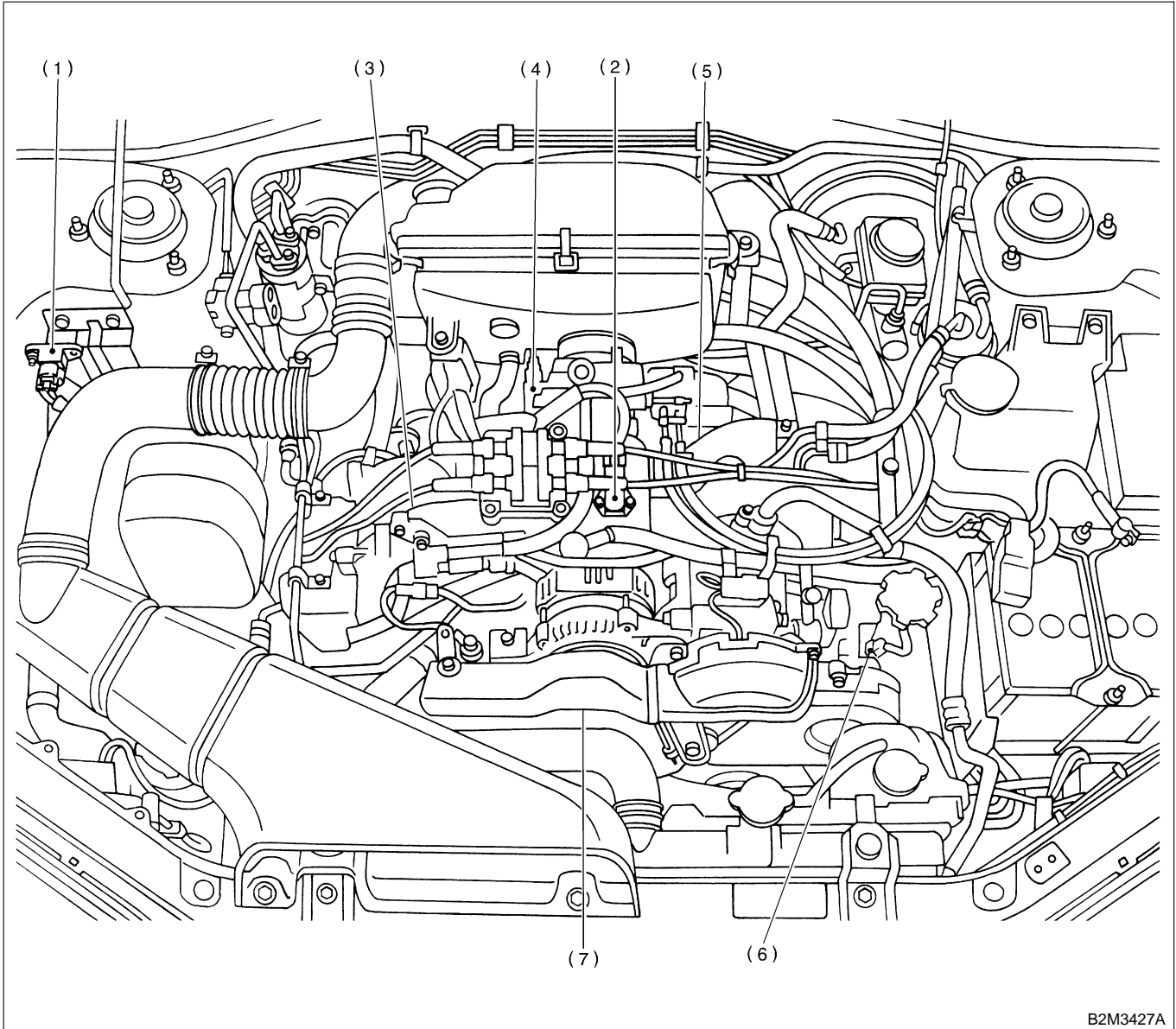
Engine (DIAGNOSTICS)

MEMO:

ELECTRICAL COMPONENTS LOCATION

Engine (DIAGNOSTICS)

● SENSOR S008507A130402



B2M3427A

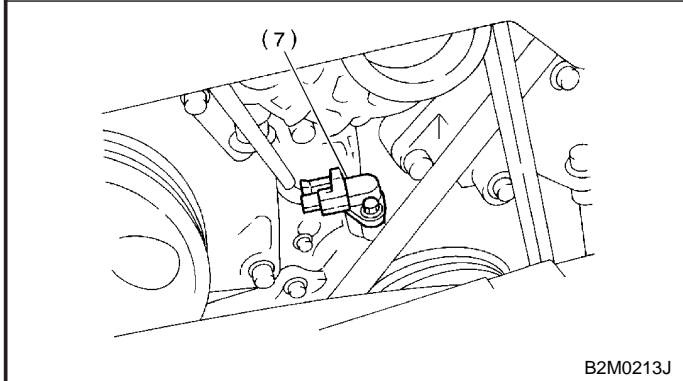
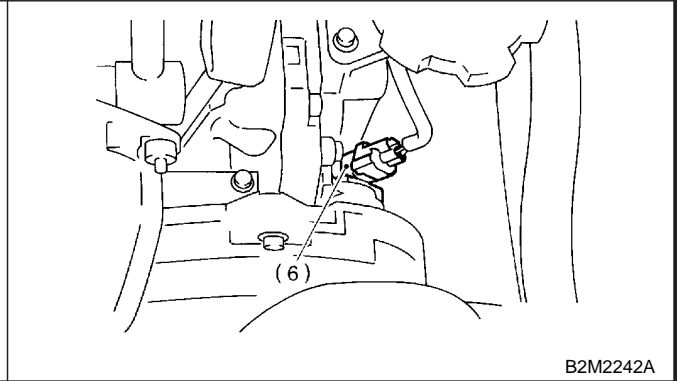
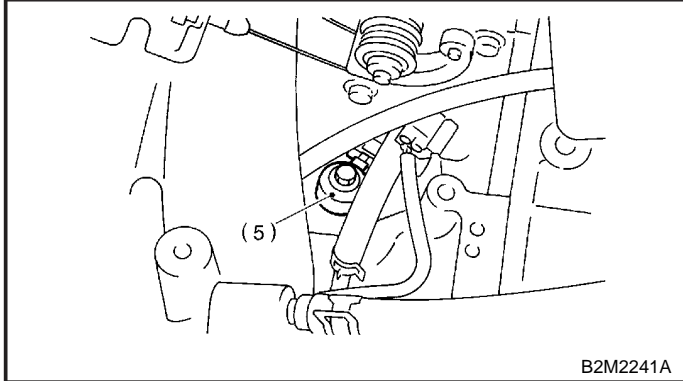
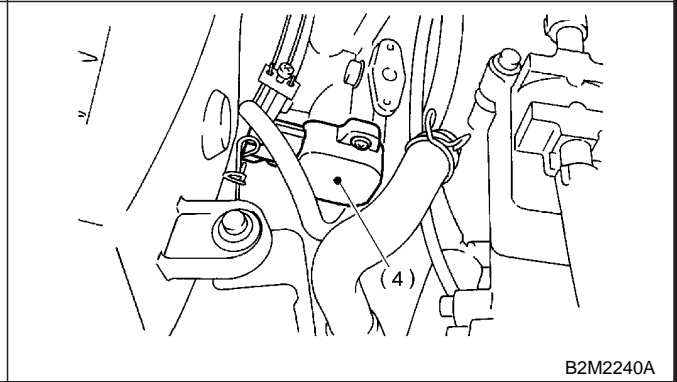
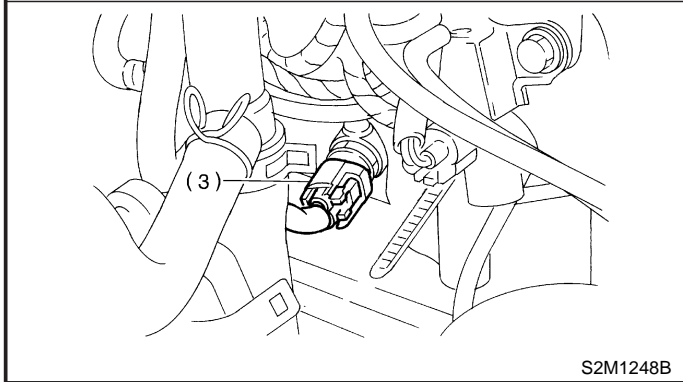
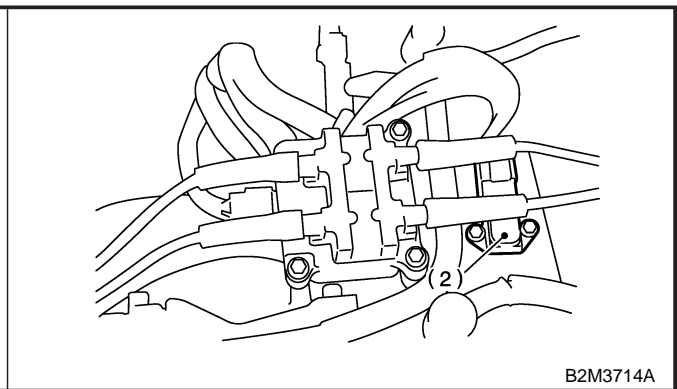
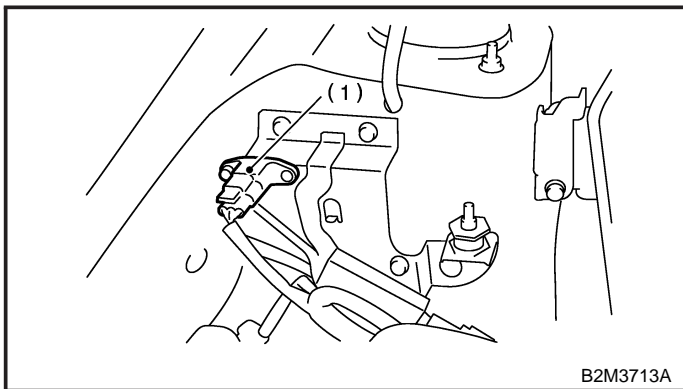
(1) Atmospheric pressure sensor
(2) Intake air temperature and pressure sensor

(3) Engine coolant temperature sensor
(4) Throttle position sensor

(5) Knock sensor
(6) Camshaft position sensor
(7) Crankshaft position sensor

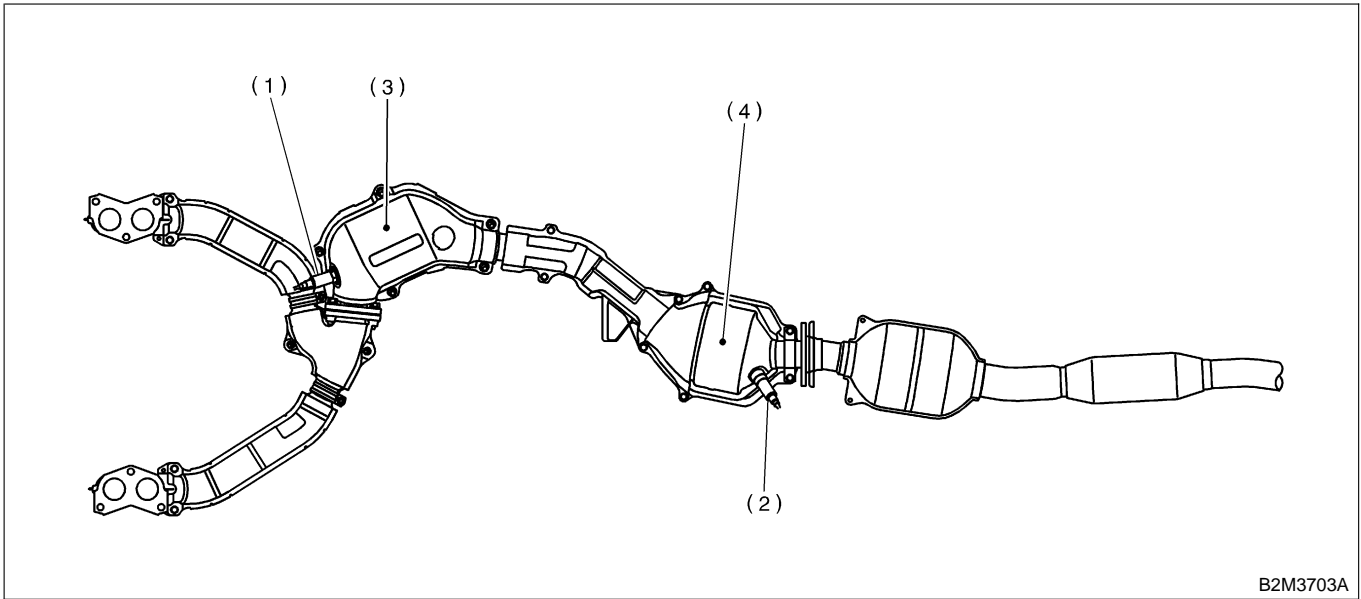
ELECTRICAL COMPONENTS LOCATION

Engine (DIAGNOSTICS)



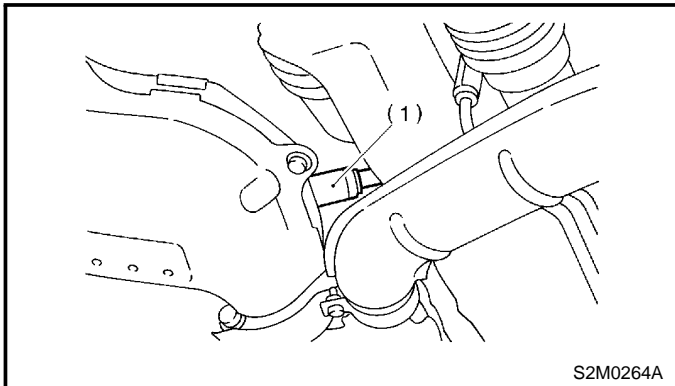
ELECTRICAL COMPONENTS LOCATION

Engine (DIAGNOSTICS)

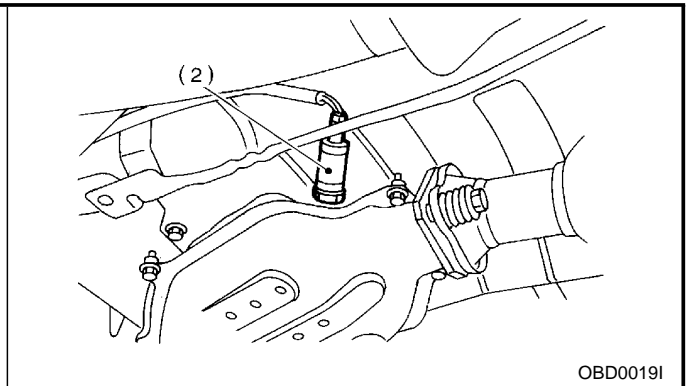


B2M3703A

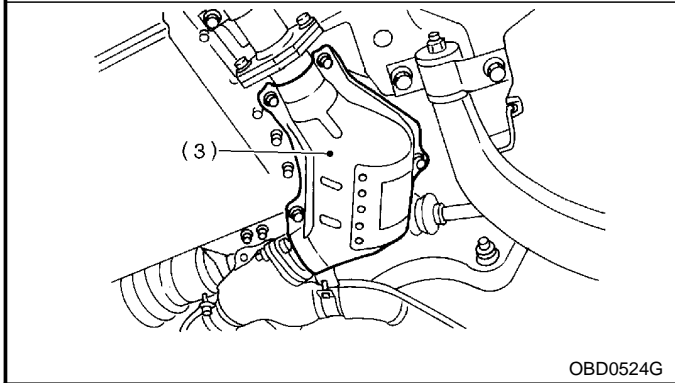
- (1) Front oxygen (A/F) sensor
- (2) Rear oxygen sensor
- (3) Front catalytic converter
- (4) Rear catalytic converter



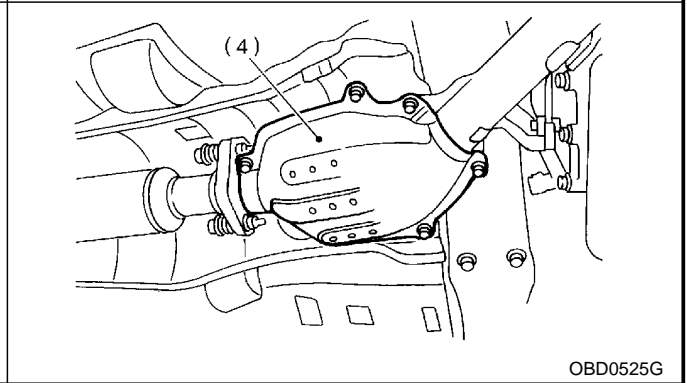
S2M0264A



OBD0019I



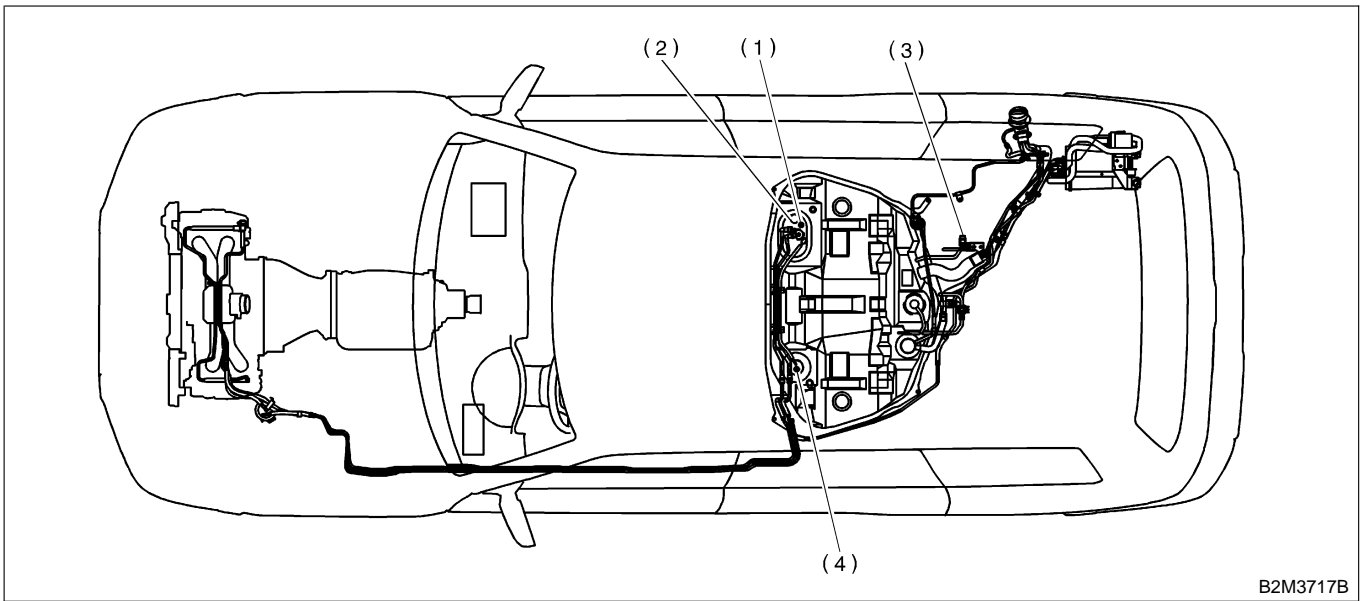
OBD0524G



OBD0525G

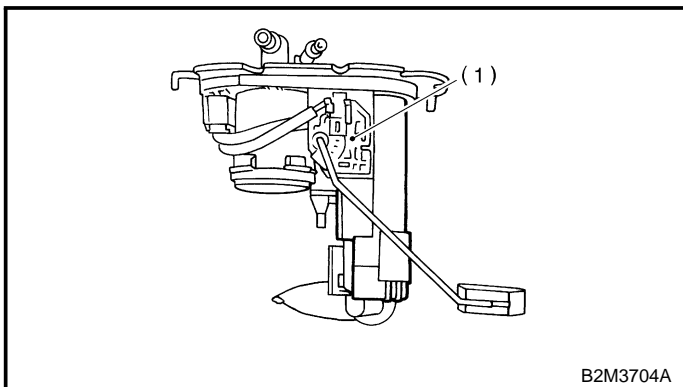
ELECTRICAL COMPONENTS LOCATION

Engine (DIAGNOSTICS)

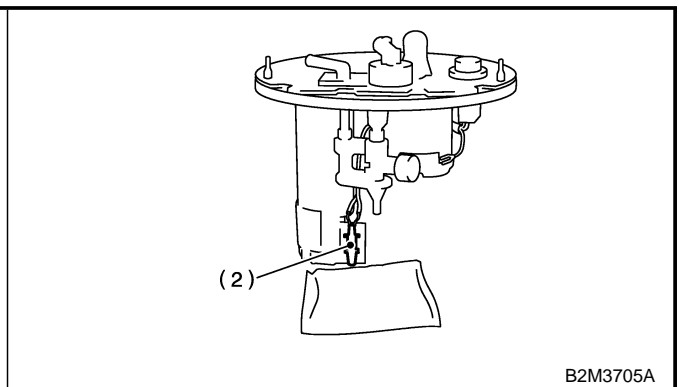


B2M3717B

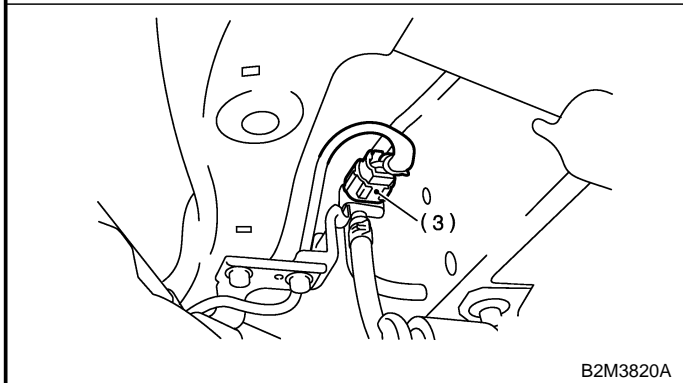
- (1) Fuel level sensor
- (2) Fuel temperature sensor
- (3) Fuel tank pressure sensor
- (4) Fuel sub level sensor



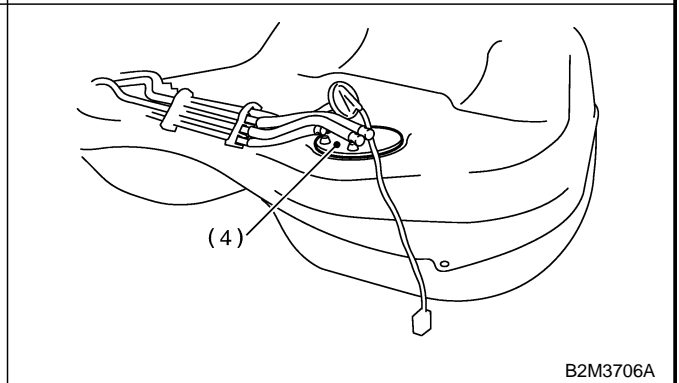
B2M3704A



B2M3705A



B2M3820A



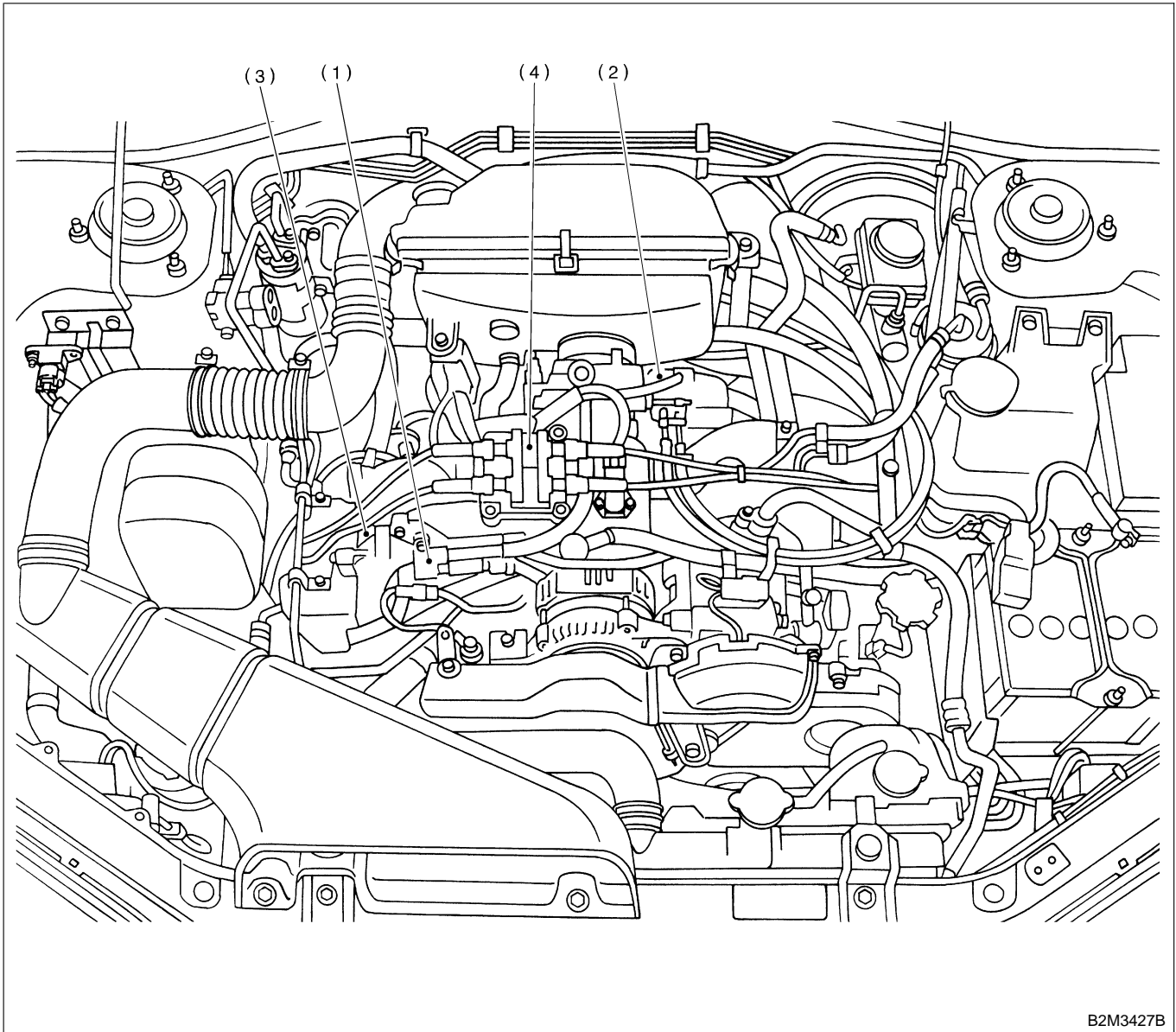
B2M3706A

ELECTRICAL COMPONENTS LOCATION

Engine (DIAGNOSTICS)

● SOLENOID VALVE, EMISSION CONTROL SYSTEM PARTS AND IGNITION SYSTEM PARTS

S008507A130403

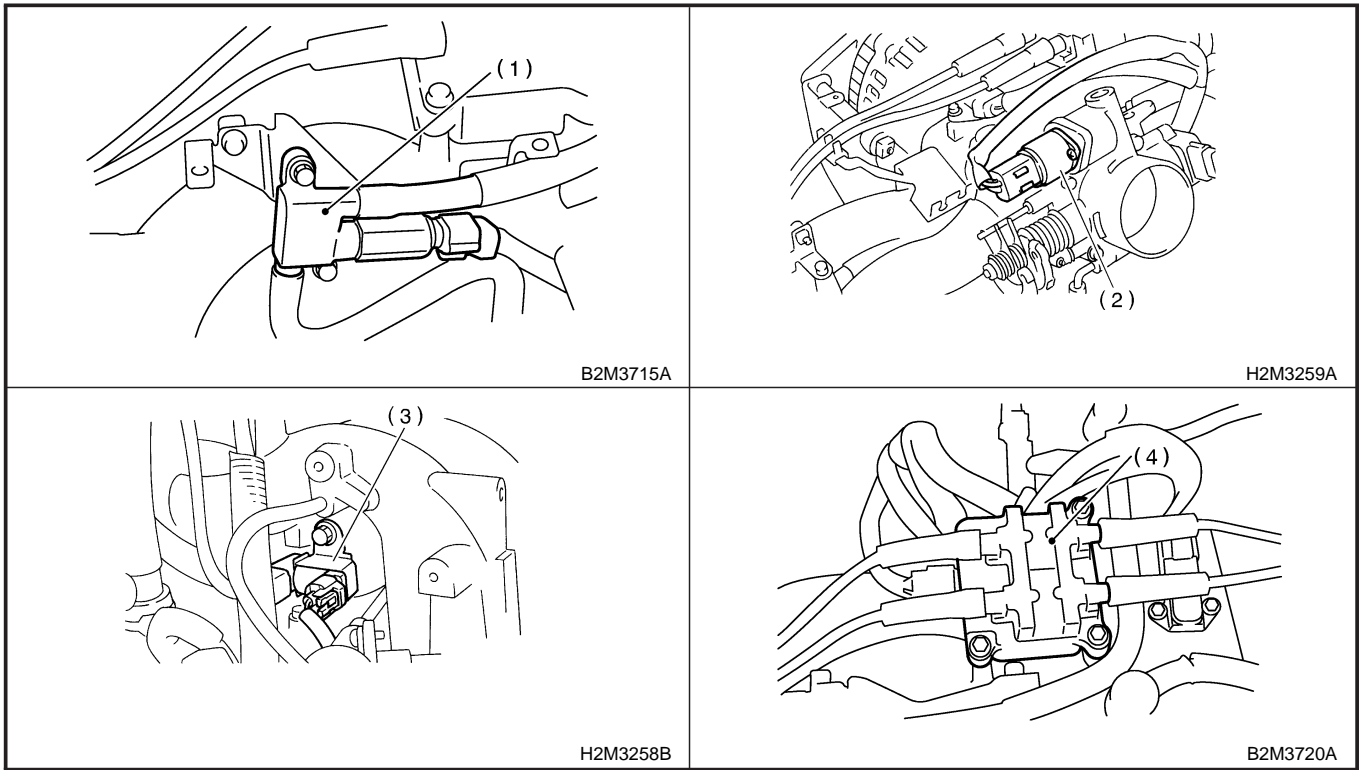


B2M3427B

- | | |
|--|----------------------------------|
| (1) Air assist injector solenoid valve | (3) Purge control solenoid valve |
| (2) Idle air control solenoid valve | (4) Ignition coil & ignitor ASSY |

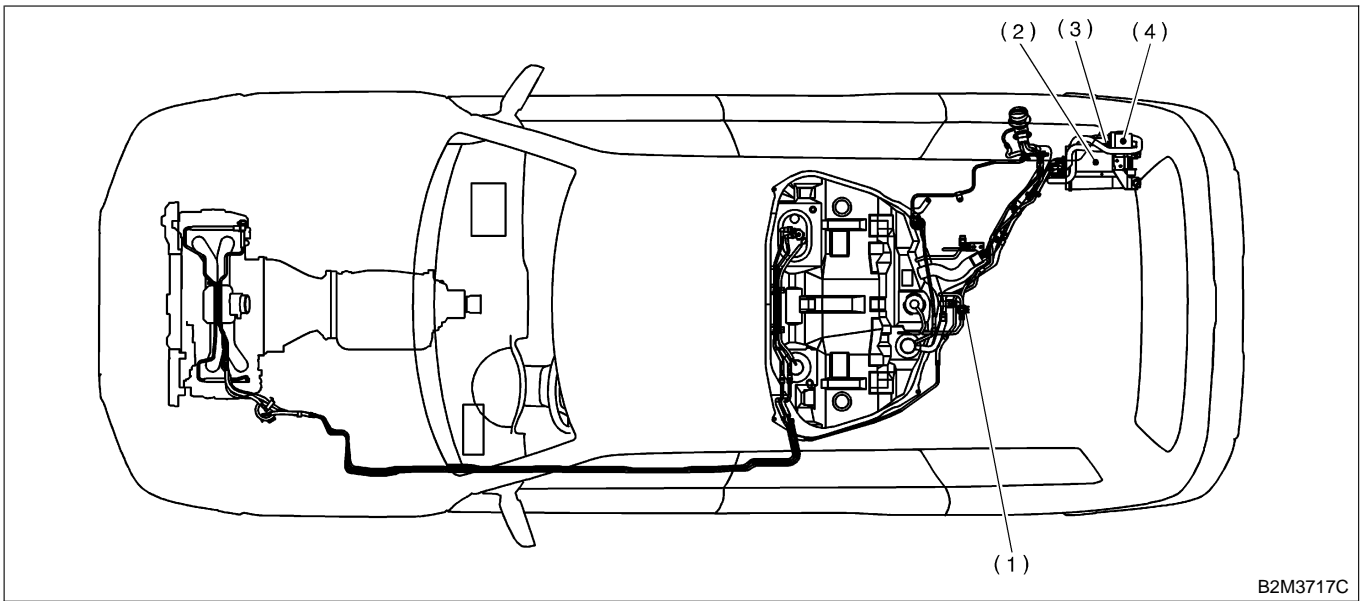
ELECTRICAL COMPONENTS LOCATION

Engine (DIAGNOSTICS)



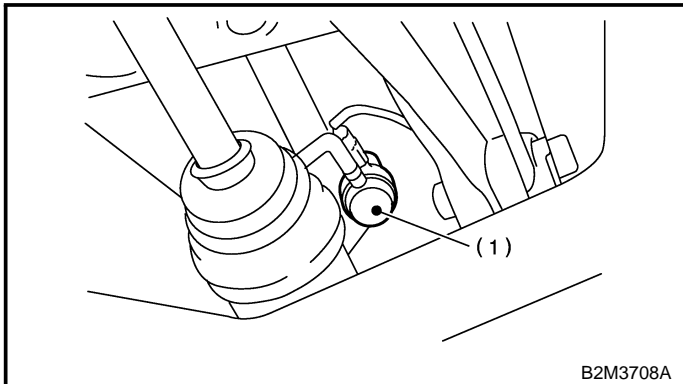
ELECTRICAL COMPONENTS LOCATION

Engine (DIAGNOSTICS)

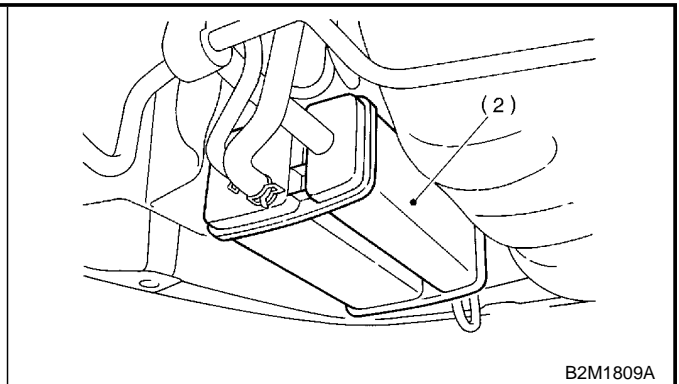


B2M3717C

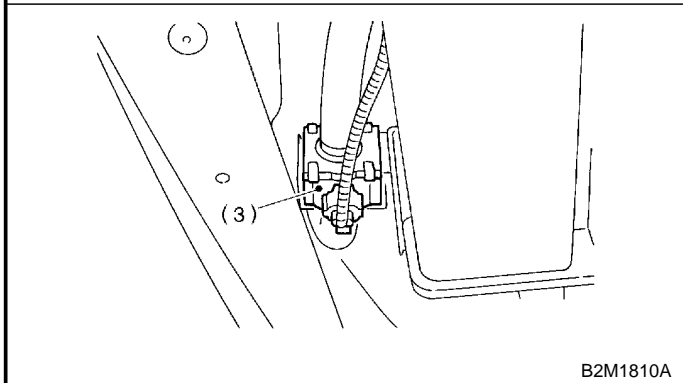
- (1) Pressure control solenoid valve
- (2) Canister
- (3) Drain valve
- (4) Drain filter



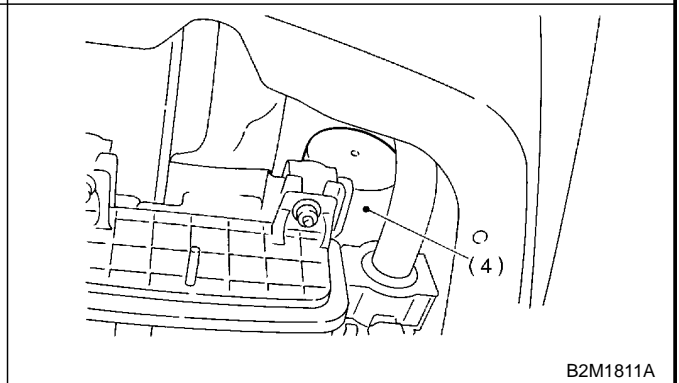
B2M3708A



B2M1809A



B2M1810A

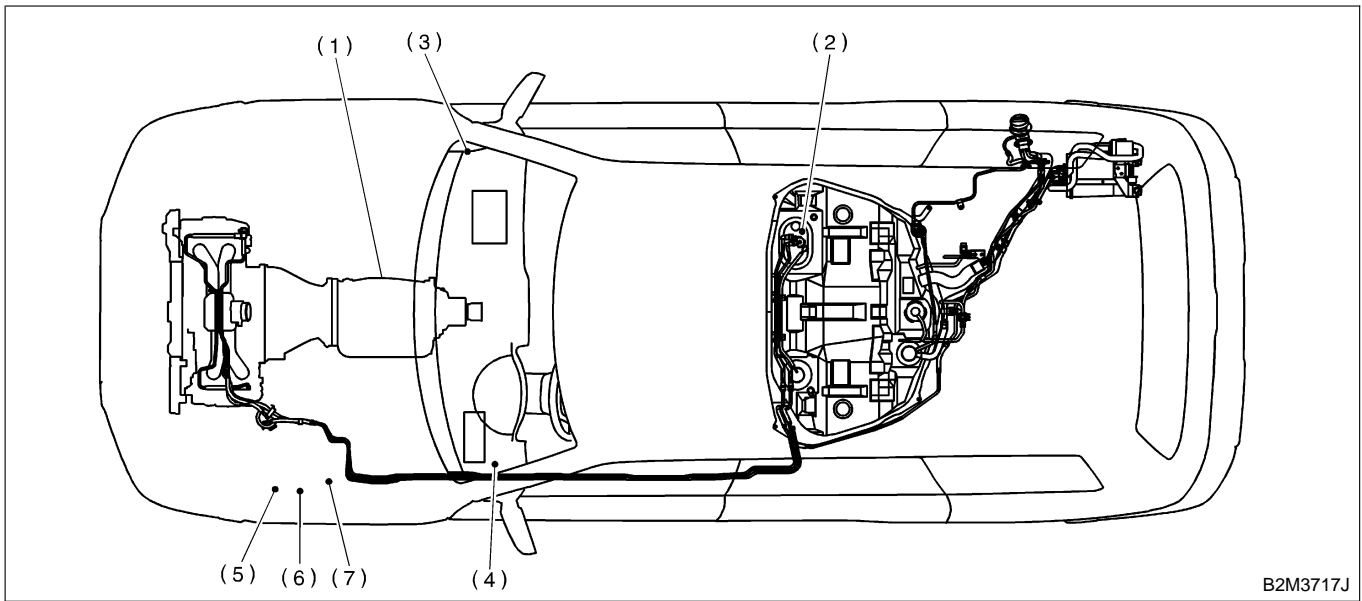


B2M1811A

MEMO:

ELECTRICAL COMPONENTS LOCATION

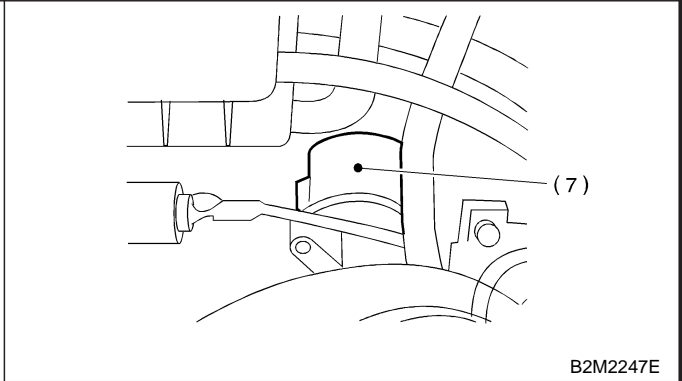
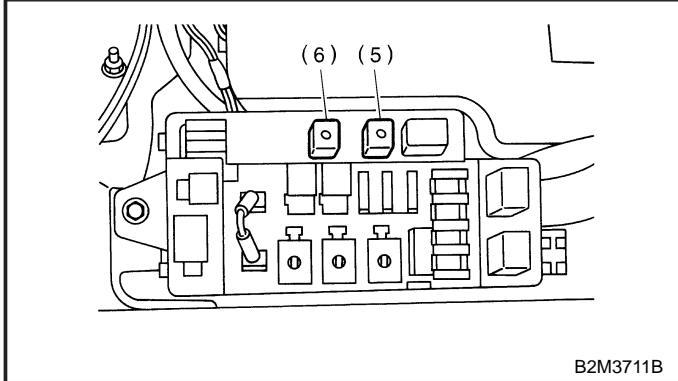
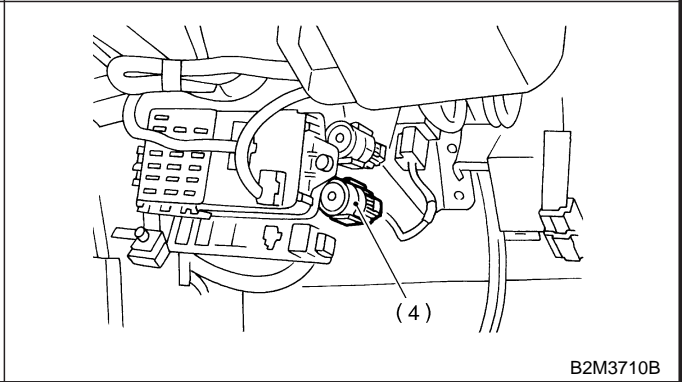
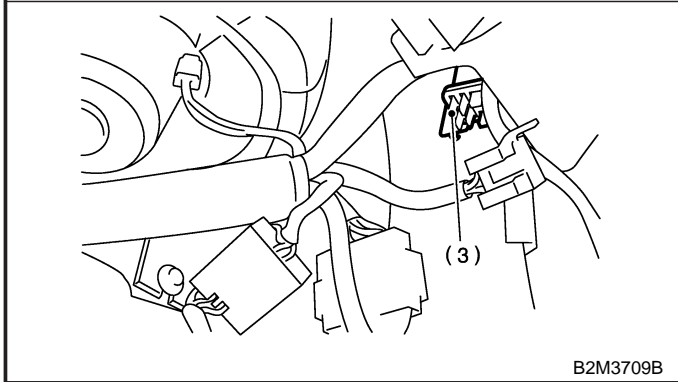
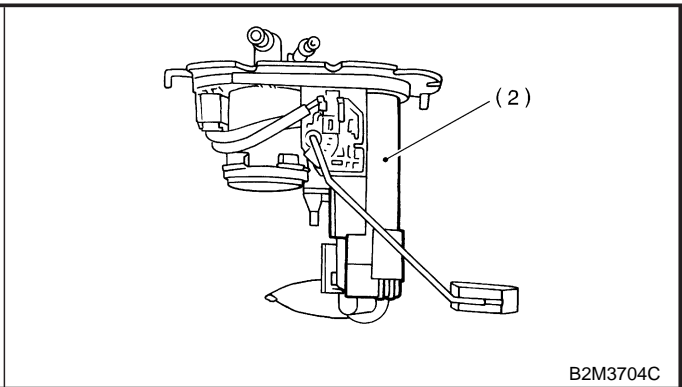
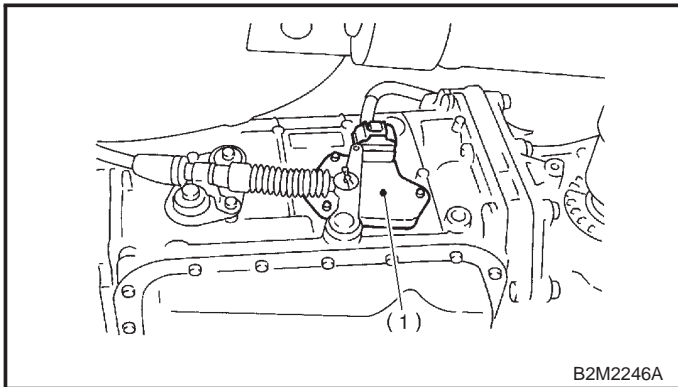
Engine (DIAGNOSTICS)



- | | | |
|----------------------|-----------------------------|-------------|
| (1) Inhibitor switch | (4) Fuel pump relay | (7) Starter |
| (2) Fuel pump | (5) Radiator main fan relay | |
| (3) Main relay | (6) Radiator sub fan relay | |

ELECTRICAL COMPONENTS LOCATION

Engine (DIAGNOSTICS)

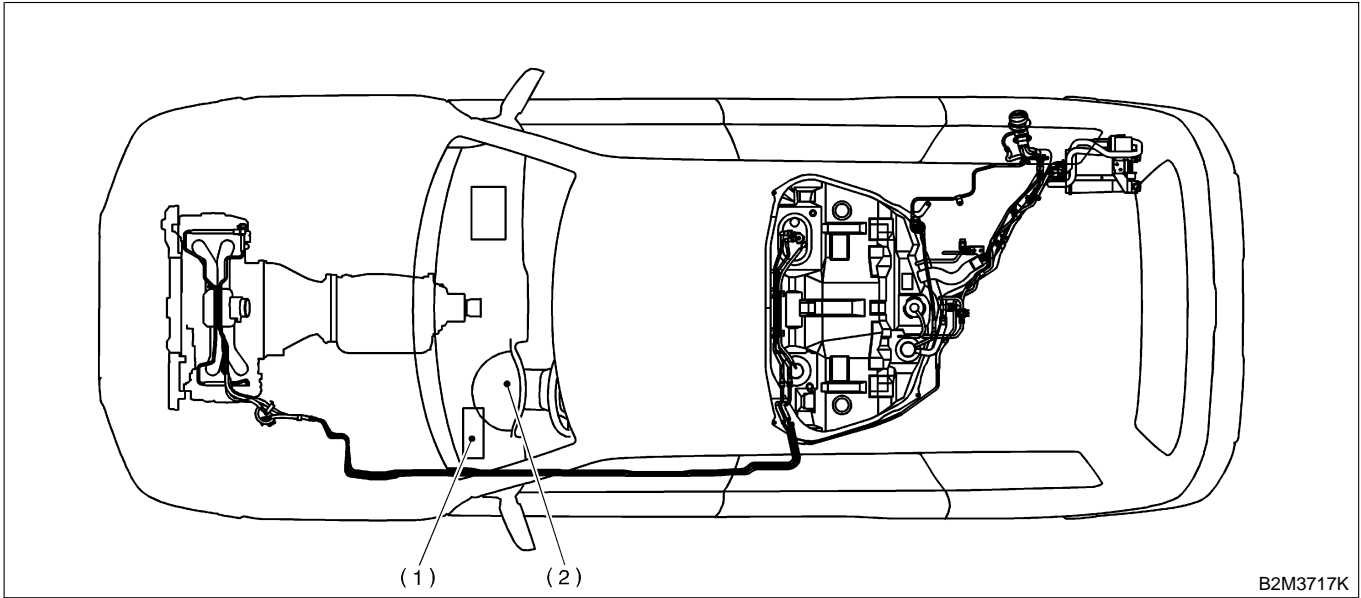


ELECTRICAL COMPONENTS LOCATION

Engine (DIAGNOSTICS)

3. TRANSMISSION S008507A1302

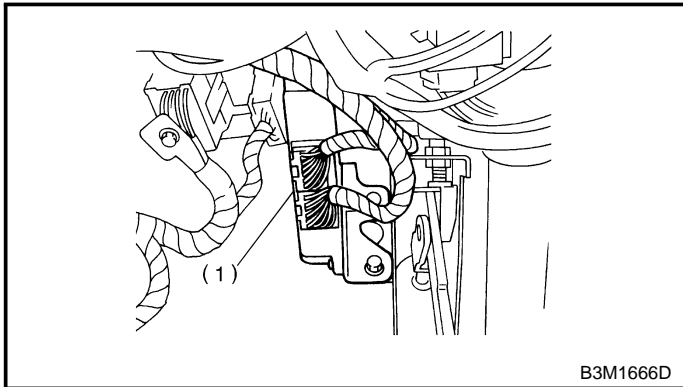
● MODULE S008507A130201



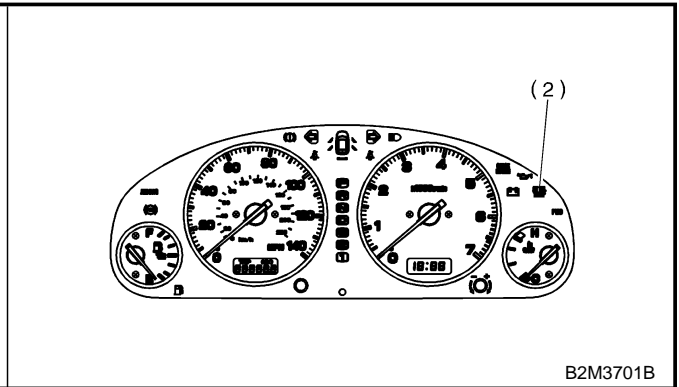
B2M3717K

(1) Transmission Control Module (TCM) (for AT vehicles)

(2) AT diagnostic indicator light (for AT vehicles)



B3M1666D

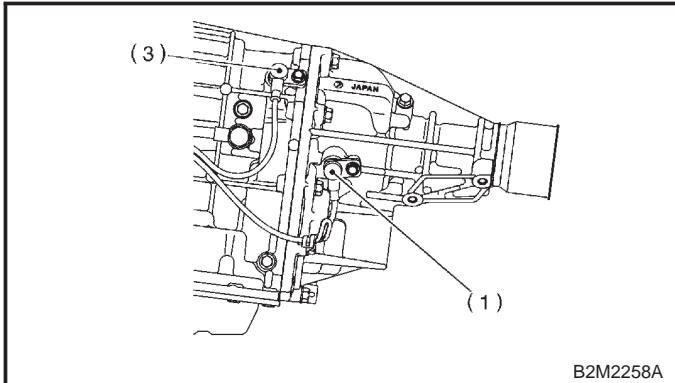


B2M3701B

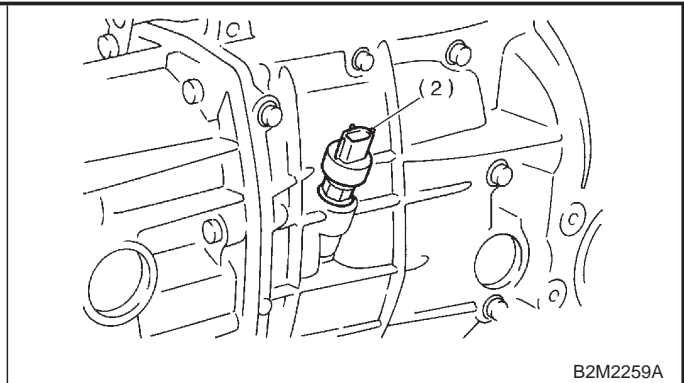
ELECTRICAL COMPONENTS LOCATION

Engine (DIAGNOSTICS)

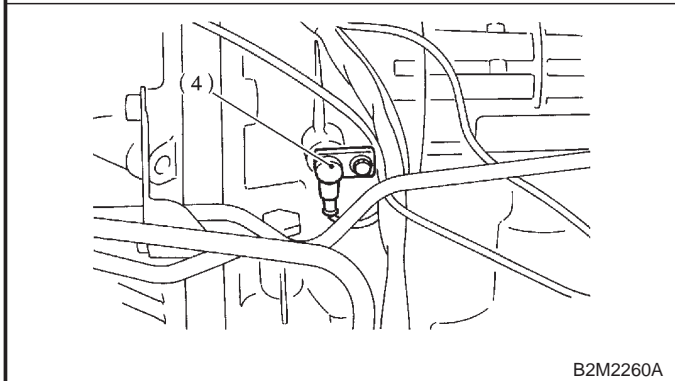
● SENSOR S008507A130202



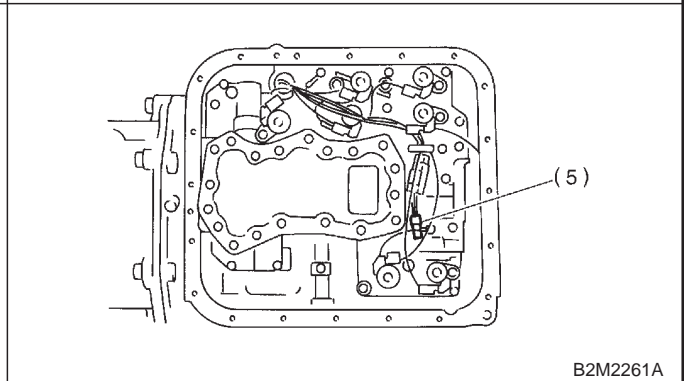
B2M2258A



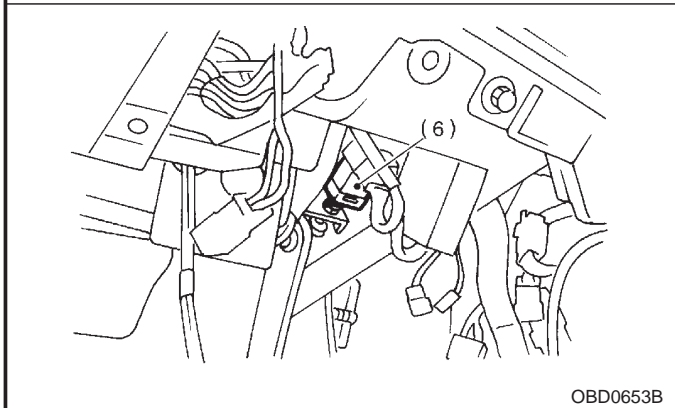
B2M2259A



B2M2260A



B2M2261A



OBD0653B

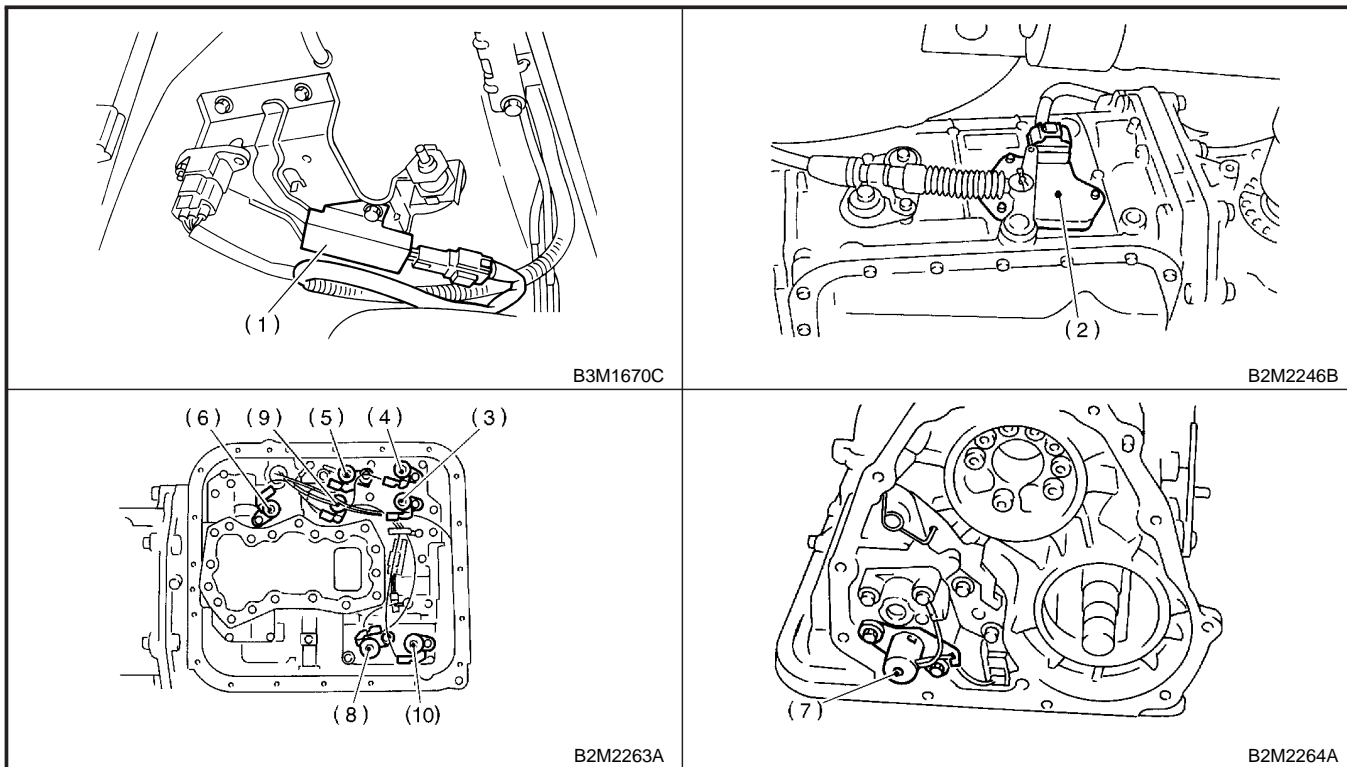


- (1) Rear vehicle speed sensor (for AT vehicles)
- (2) Front vehicle speed sensor (for MT vehicles)
- (3) Front vehicle speed sensor (for AT vehicles)
- (4) Torque converter turbine speed sensor
- (5) ATF temperature sensor (for AT vehicles)
- (6) Brake light switch

ELECTRICAL COMPONENTS LOCATION

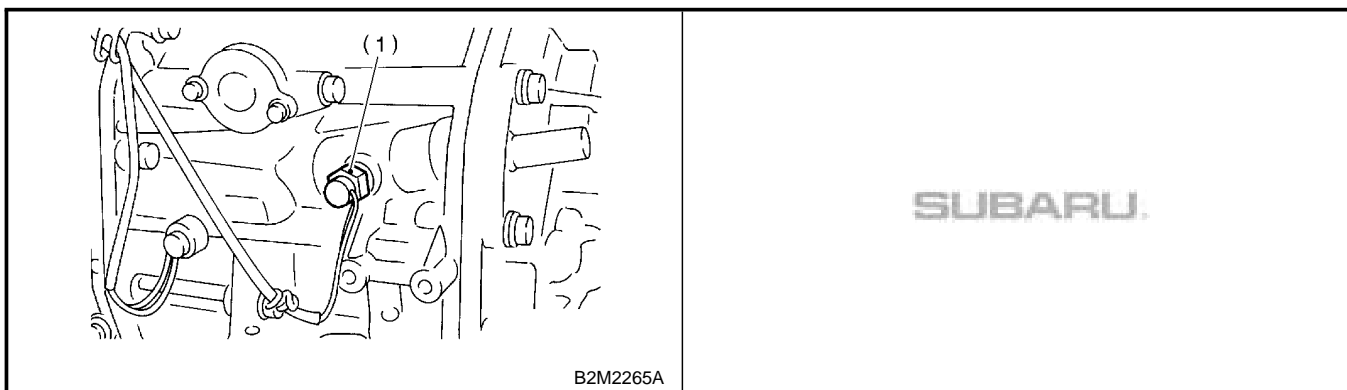
Engine (DIAGNOSTICS)

● SOLENOID VALVE AND SWITCH (AT VEHICLES) S008507A130203



- (1) Dropping resistor
- (2) Inhibitor switch
- (3) Shift solenoid valve 1
- (4) Shift solenoid valve 2
- (5) Line pressure duty solenoid
- (6) Lock-up duty solenoid
- (7) Transfer duty solenoid
- (8) 2-4 brake duty solenoid
- (9) Low clutch timing solenoid valve
- (10) 2-4 brake timing solenoid valve

● SOLENOID VALVE AND SWITCH (MT VEHICLES) S008507A130204



- (1) Neutral position switch

ELECTRICAL COMPONENTS LOCATION

Engine (DIAGNOSTICS)

MEMO: