

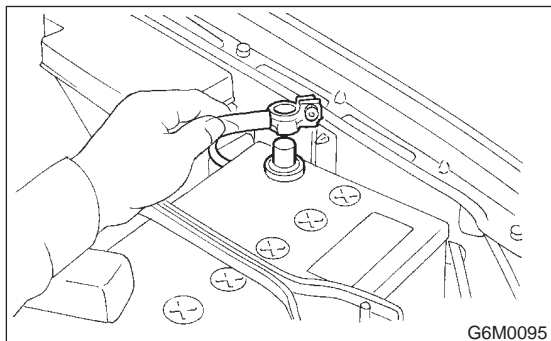
FRONT CATALYTIC CONVERTER

Emission Control (Aux. Emission Control Devices)

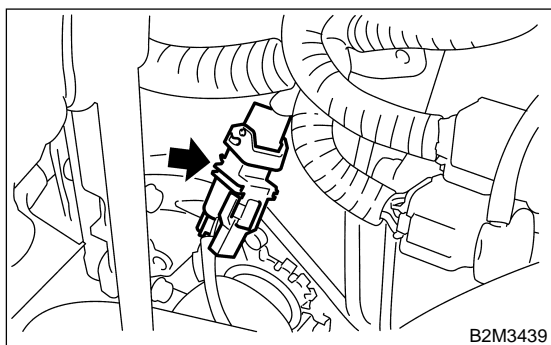
2. Front Catalytic Converter S110017

A: REMOVAL S110017A18

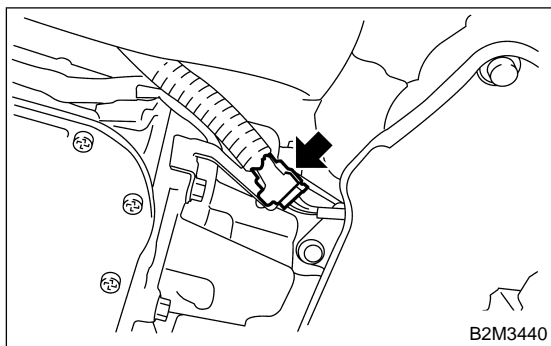
- 1) Set the vehicle on the lift.
- 2) Disconnect battery ground cable.



- 3) Disconnect front oxygen (A/F) sensor connector.



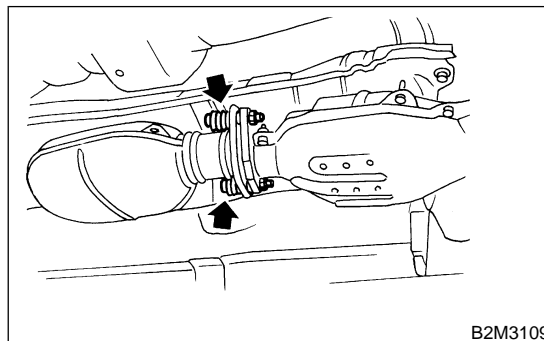
- 4) Lift-up the vehicle.
- 5) Remove under cover.
- 6) Disconnect connector from rear oxygen sensor connector.



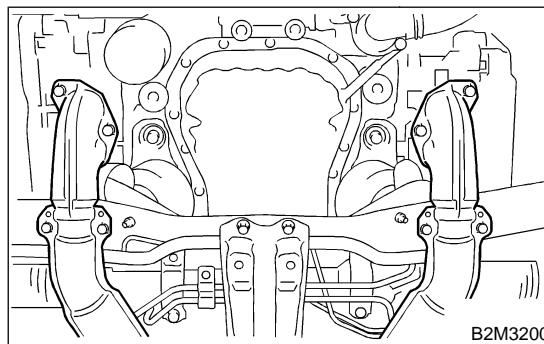
- 7) Separate center exhaust pipe from rear exhaust pipe.

CAUTION:

Be careful, exhaust pipe is hot.



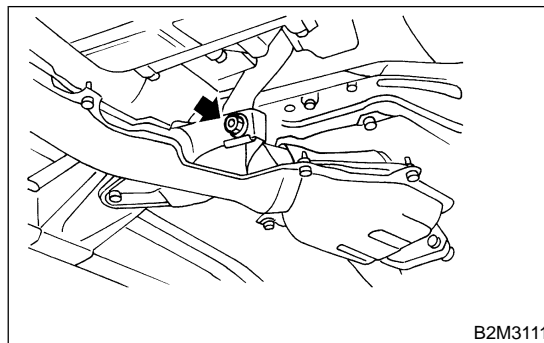
- 8) Remove bolts which hold front exhaust pipe onto cylinder heads.



- 9) Remove front exhaust pipe and center exhaust pipe from hanger bracket.

CAUTION:

Be careful not to pull down front exhaust pipe and center exhaust pipe.



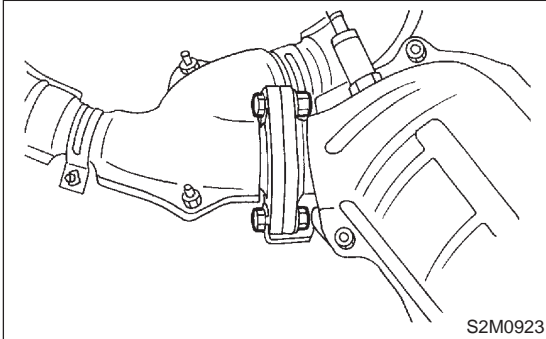
FRONT CATALYTIC CONVERTER

Emission Control (Aux. Emission Control Devices)

10) Separate front catalytic converter from front exhaust pipe.

NOTE:

The rear catalytic converter is integrated with front catalytic converter. Therefore, the procedure for removing rear catalytic converter is the same as the description above.



B: INSTALLATION

S110017A11

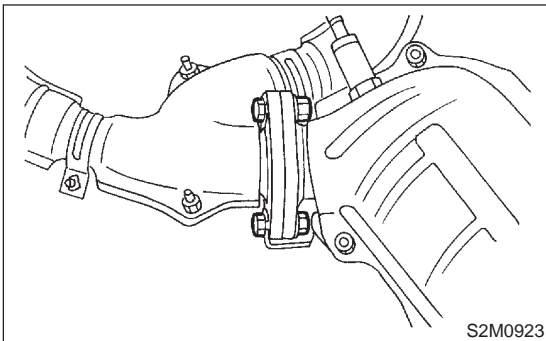
CAUTION:

Replace gaskets with new ones.

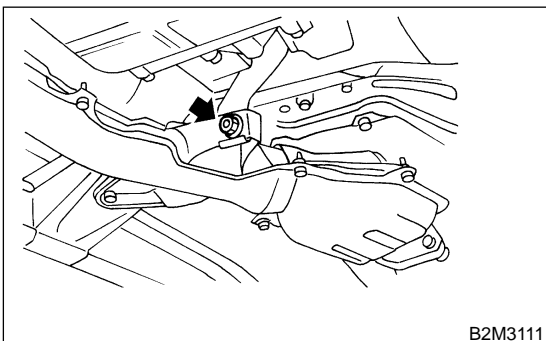
1) Install front catalytic converter to front exhaust pipe.

Tightening torque:

30 N·m (3.1 kgf-m, 22.4 ft-lb)



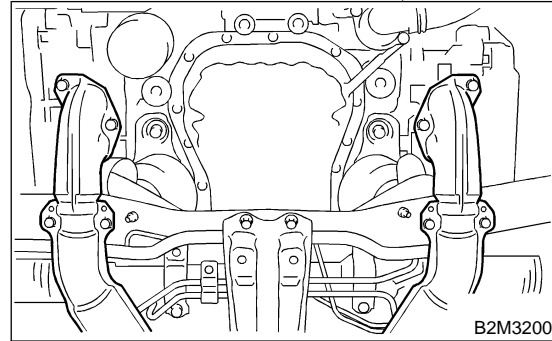
2) Install front exhaust pipe and center exhaust pipe. And temporarily tighten bolt which installs center exhaust pipe to hanger bracket.



3) Tighten bolts which hold front exhaust pipe onto cylinder heads.

Tightening torque:

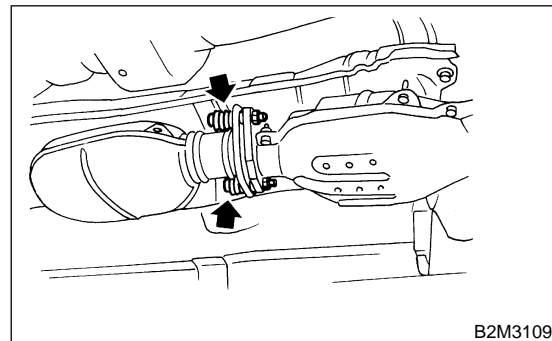
30 N·m (3.1 kgf-m, 22.4 ft-lb)



4) Install center exhaust pipe to rear exhaust pipe.

Tightening torque:

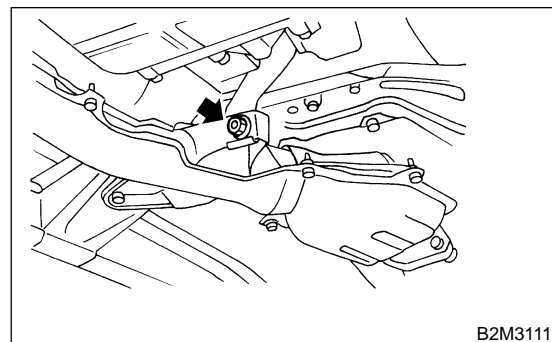
18 N·m (1.8 kgf-m, 13.0 ft-lb)



5) Tighten bolt which holds center exhaust pipe to hanger bracket.

Tightening torque:

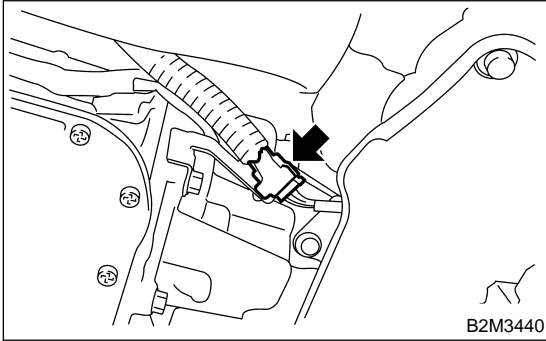
35 N·m (3.6 kgf-m, 26.0 ft-lb)



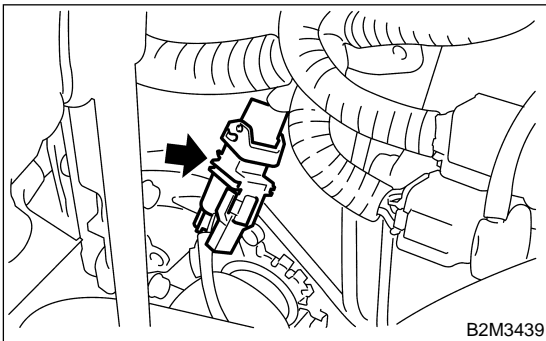
FRONT CATALYTIC CONVERTER

Emission Control (Aux. Emission Control Devices)

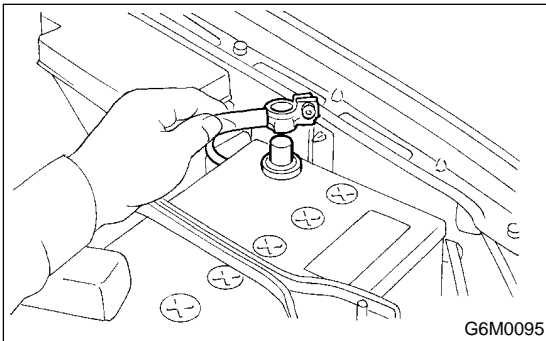
- 6) Connect connector to rear oxygen sensor connector.



- 7) Install under cover.
- 8) Lower the vehicle.
- 9) Connect front oxygen (A/F) sensor connector.



- 10) Connect battery ground cable.



NOTE:

The rear catalytic converter is integrated with front catalytic converter. Therefore, the procedure for installing rear catalytic converter is the same as the description above.

C: INSPECTION S110017A10

- 1) Make sure there are no exhaust leaks from connections and welds.
- 2) Make sure there are no holes or rusting.