

PURGE CONTROL SOLENOID VALVE

Emission Control (Aux. Emission Control Devices)

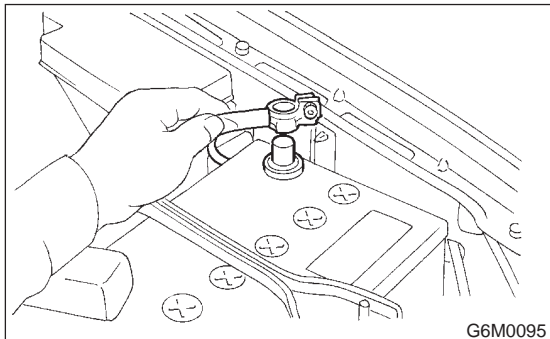
5. Purge Control Solenoid Valve

S110035

A: REMOVAL

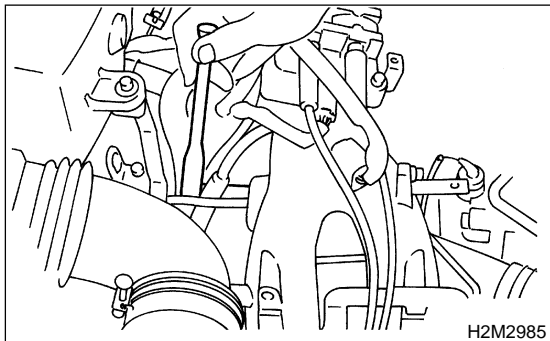
S110035A18

- 1) Disconnect battery ground cable.



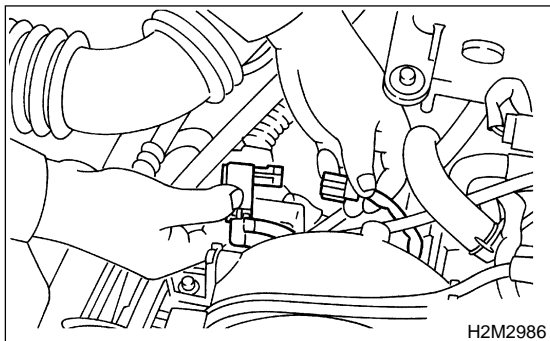
G6M0095

- 2) Remove bolt which installs purge control solenoid valve onto intake manifold.



H2M2985

- 3) Take out purge control solenoid valve through the bottom of the intake manifold.
- 4) Disconnect connector and hoses from purge control solenoid valve.



H2M2986

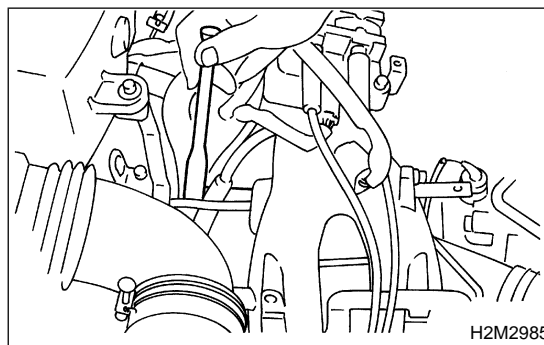
B: INSTALLATION

S110035A11

- 1) Install in the reverse order of removal.

Tightening torque:

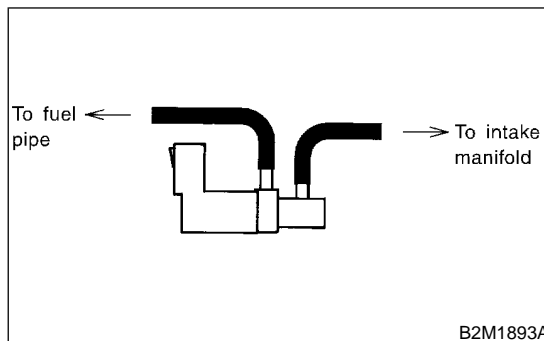
16 N·m (1.6 kgf·m, 11.6 ft·lb)



H2M2985

CAUTION:

Carefully connect the evaporation hoses.



B2M1893A

C: INSPECTION

S110035A10

Make sure hoses are not cracked or loose.