

# FUEL TEMPERATURE SENSOR

Emission Control (Aux. Emission Control Devices)

## 7. Fuel Temperature Sensor S110032

### A: REMOVAL S110032A18

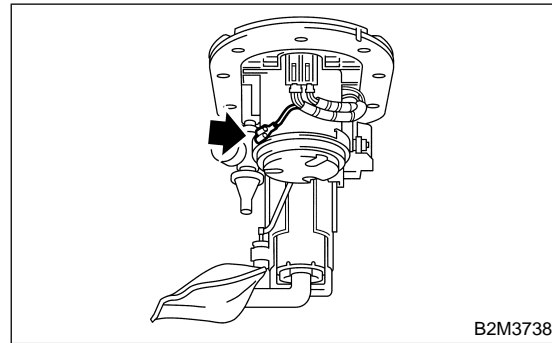
#### WARNING:

During work procedures, if fuel tank is more than 3/4 full, be careful because fuel may spill.

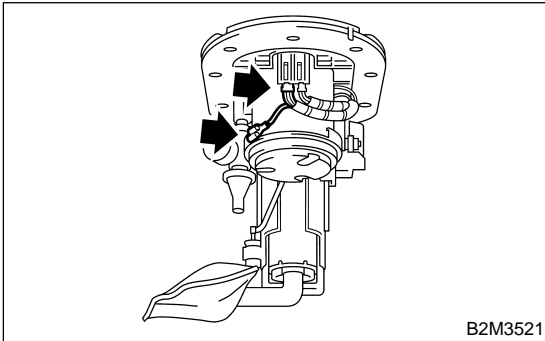
#### NOTE:

Fuel temperature sensor is built in fuel pump assembly.

- 1) Remove fuel pump assembly. <Ref. to FU(H4)-90 REMOVAL, Fuel Pump.>
- 2) Disconnect connector from fuel pump bracket.



B2M3738

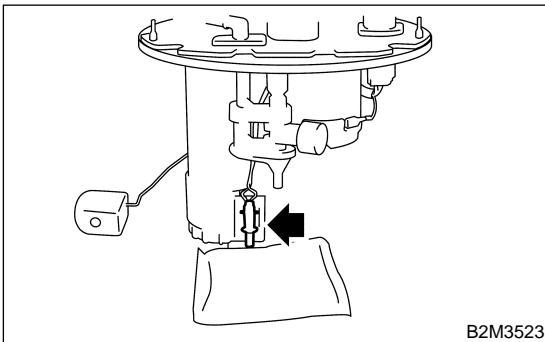


B2M3521

- 3) Remove fuel temperature sensor.

#### NOTE:

When replacing fuel temperature sensor, also replace fuel level sensor. <Ref. to FU(H4)-93 REMOVAL, Fuel Level Sensor.>



B2M3523

### B: INSTALLATION S110032A11

- 1) Install in the reverse order of removal.

#### WARNING:

- Ground cable must be connected.
- Spark may occur and ignite if fuel is nearby.