

FUEL TANK PRESSURE SENSOR

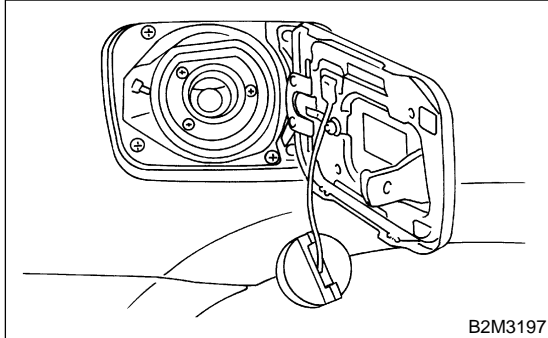
Emission Control (Aux. Emission Control Devices)

9. Fuel Tank Pressure Sensor

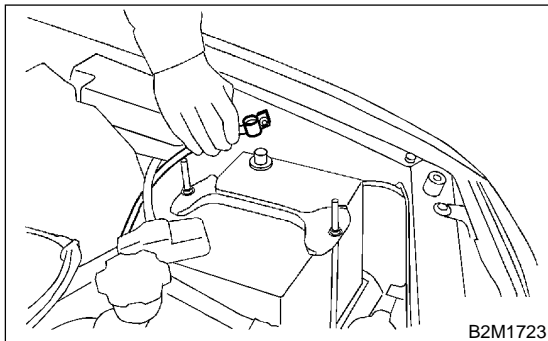
S110030

A: REMOVAL S110030A18

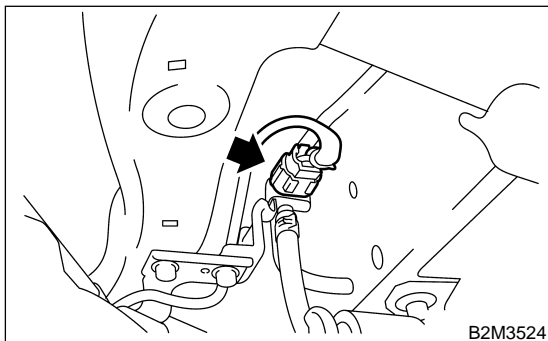
- 1) Set the vehicle on the lift.
- 2) Open fuel flap lid, and remove fuel filler cap.



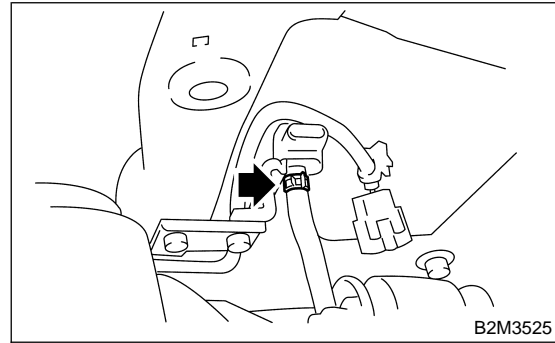
- 3) Disconnect battery ground cable.



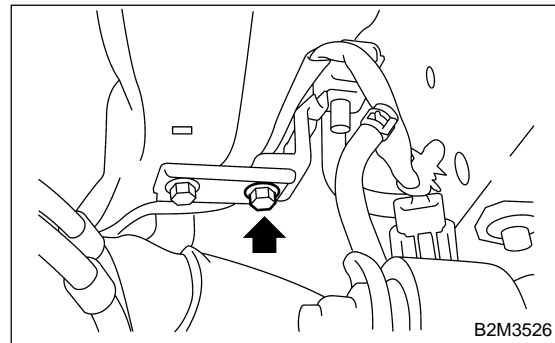
- 4) Lift-up the vehicle.
- 5) Disconnect connector from fuel tank pressure sensor.



- 6) Disconnect pressure hose from fuel tank pressure sensor.



- 7) Remove fuel tank pressure sensor.

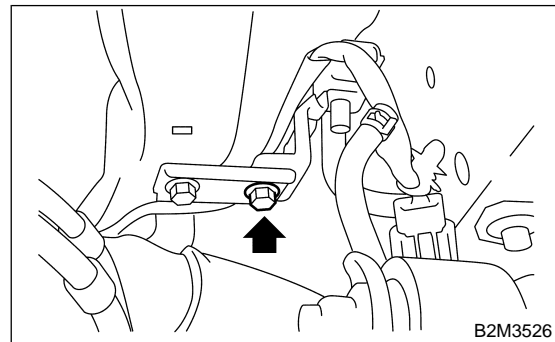


B: INSTALLATION S110030A11

- 1) Install in the reverse order of removal.

Tightening torque:

7.4 N·m (0.75 kgf·m, 5.4 ft-lb)



C: INSPECTION S110030A10

- 1) Make sure that hoses are not cracked or loose.