

PRESSURE CONTROL SOLENOID VALVE

Emission Control (Aux. Emission Control Devices)

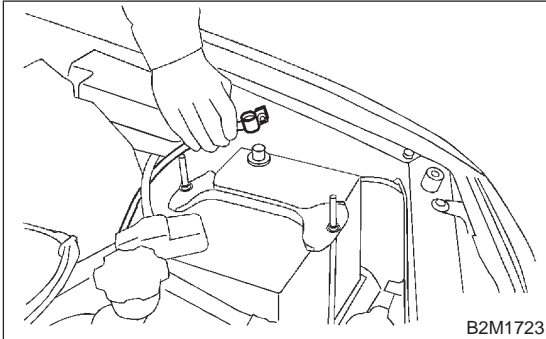
10. Pressure Control Solenoid Valve

S110031

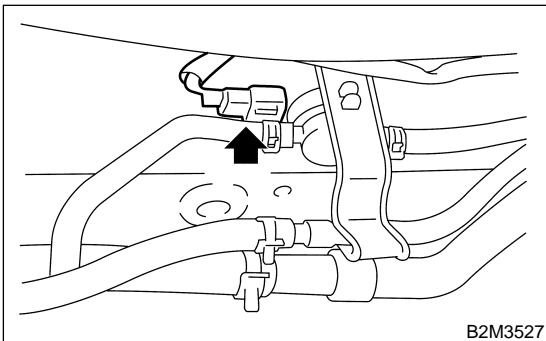
A: REMOVAL

S110031A18

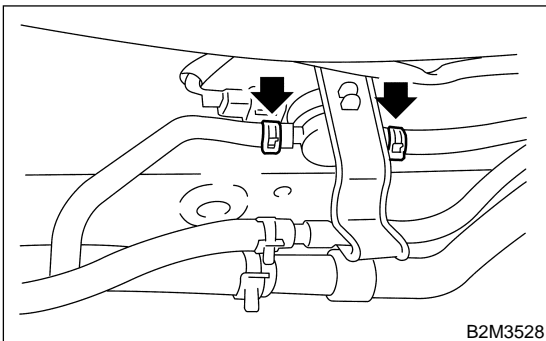
- 1) Set the vehicle on the lift.
- 2) Disconnect battery ground cable.



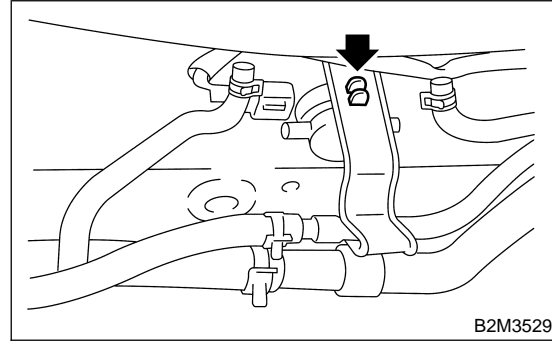
- 3) Lift-up the vehicle.
- 4) Disconnect connector from pressure control solenoid valve.



- 5) Disconnect two evaporation hoses from pressure control solenoid valve.



- 6) Remove pressure control solenoid valve from bracket.



B: INSTALLTION

S110031A11

- 1) Install in the reverse order of removal.

C: INSPECTION

S110031A10

- 1) Make sure that hoses are not cracked or loose.