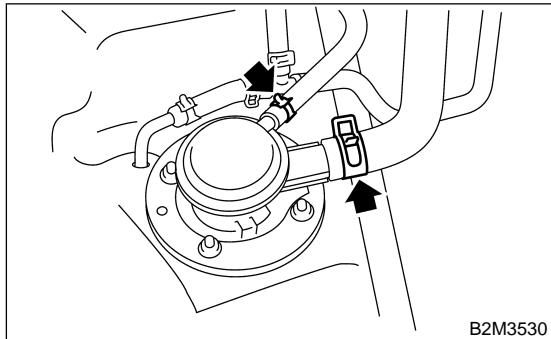


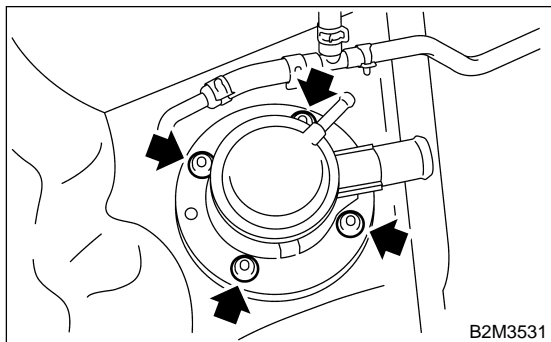
## 12. Vent Valve S110033

### A: REMOVAL S110033A18

- 1) Remove fuel tank. <Ref. to FU(H4)-73 REMOVAL, Fuel Tank.>
- 2) Move clips, and disconnect hoses from vent valve.



- 3) Remove nuts which install vent valve on fuel tank.



### B: INSTALLATION S110033A11

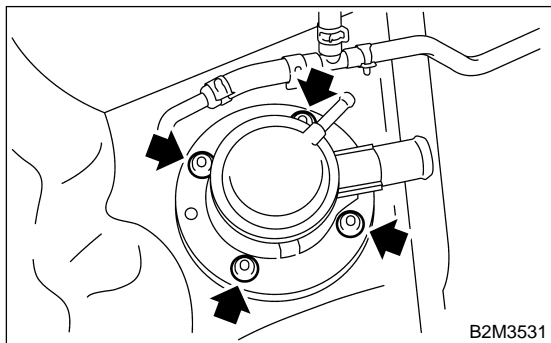
- 1) Install in the reverse order of removal.

#### CAUTION:

Replace rubber seat with a new one.

#### Tightening torque:

**4.4 N·m (0.45 kgf-m, 3.3 ft-lb)**



### C: INSPECTION S110033A10

- 1) Make sure that hoses are not cracked or loose.