

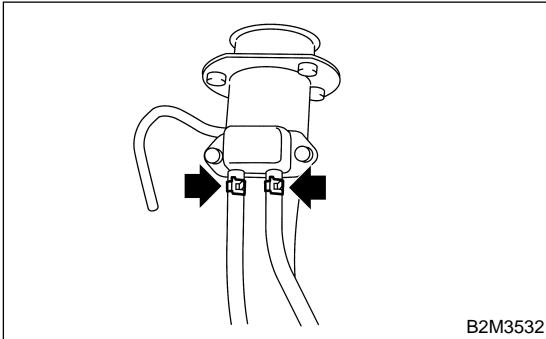
# SHUT VALVE

Emission Control (Aux. Emission Control Devices)

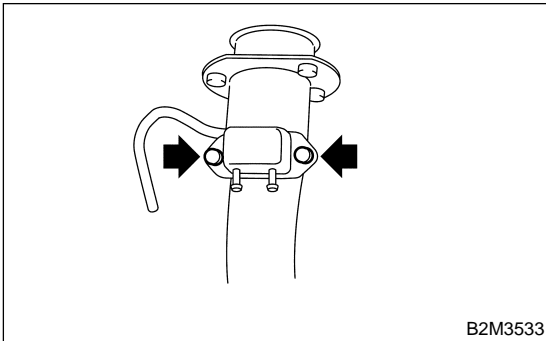
## 13. Shut Valve S110024

### A: REMOVAL S110024A18

- 1) Drain fuel from fuel tank. <Ref. to FU(H4)-73 REMOVAL, Fuel Tank.>
- 2) Remove fuel filler pipe. <Ref. to FU(H4)-82 REMOVAL, Fuel Filler Pipe.>
- 3) Disconnect evaporation hoses from shut valve.



- 4) Remove shut valve from fuel filler pipe.

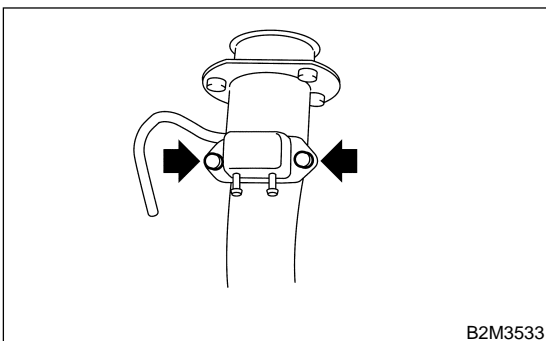


### B: INSTALLATION S110024A11

- 1) Install in the reverse order of removal.

**Tightening torque:**

**4.4 N·m (0.45 kgf·m, 3.3 ft·lb)**



### C: INSPECTION S110024A10

- 1) Make sure that hoses are not cracked or loose.