

MUFFLER

Exhaust

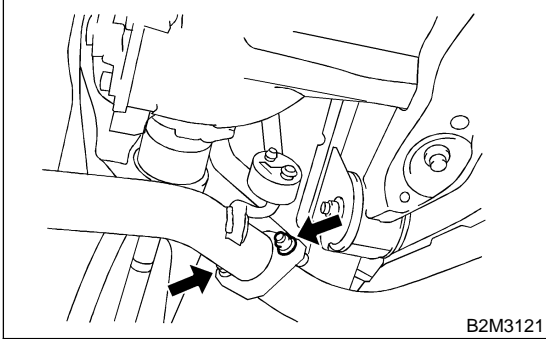
5. Muffler S102066

A: REMOVAL S102066A18

- 1) Separate muffler from rear exhaust pipe.

CAUTION:

Be careful, exhaust pipe is hot.



- 2) Remove left and right rubber cushions.

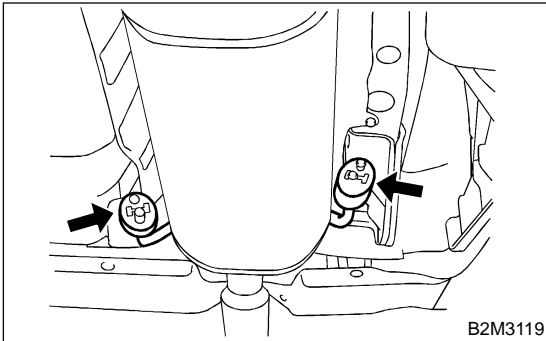
CAUTION:

Be careful not to drop the muffler during removal.

NOTE:

To facilitate removal, apply a coat of SUBARU CRC to mating area of rubber cushions in advance.

SUBARU CRC (Part No. 004301003)

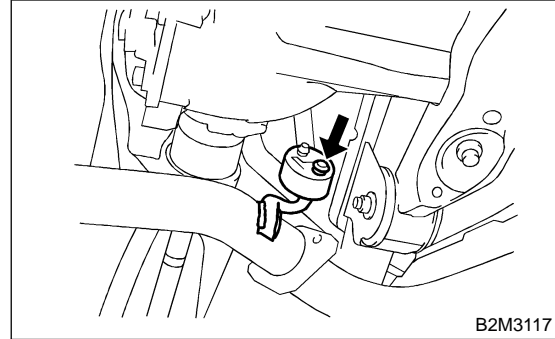


- 3) Remove front rubber cushion, and detach muffler assembly.

NOTE:

To facilitate removal, apply a coat of SUBARU CRC to mating area of rubber cushion in advance.

SUBARU CRC (Part No. 004301003)



B: INSTALLATION S102066A11

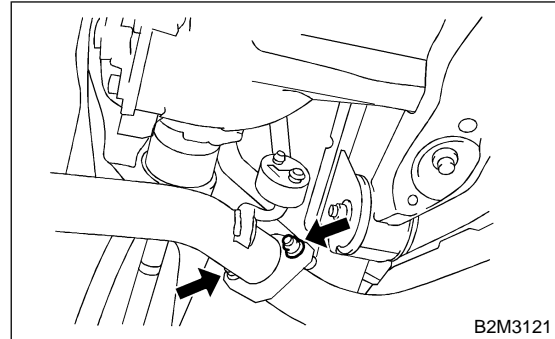
- 1) Install in the reverse order of removal.

CAUTION:

Replace gasket with a new one.

Tightening torque:

48 N·m (4.9 kgf-m, 35.4 ft-lb)



C: INSPECTION S102066A10

- 1) Make sure there are no exhaust leaks from connections and welds.
- 2) Make sure there are no holes or rusting.
- 3) Make sure the cushion rubber is not worn or cracked.