

## 9. Intake Manifold Pressure Sensor

S105568

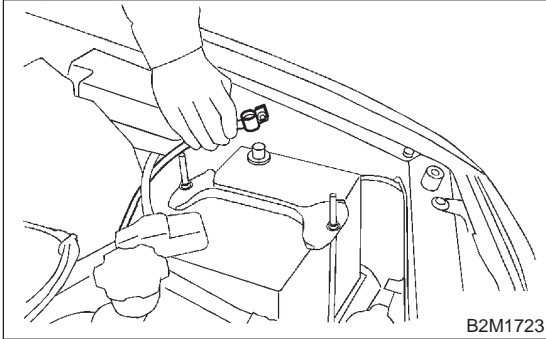
### A: REMOVAL

S105568A18

#### NOTE:

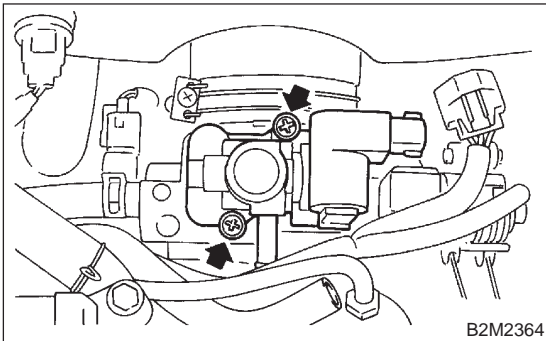
This sensor is installed on MT vehicles only.

- 1) Disconnect battery ground cable.



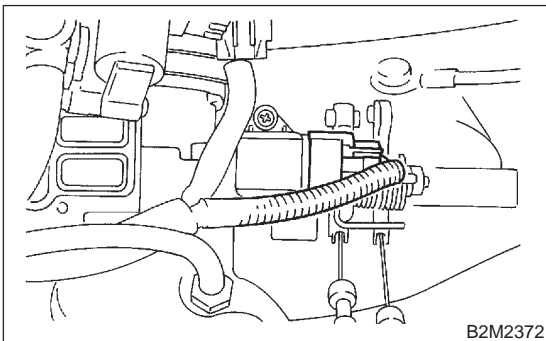
B2M1723

- 2) Remove idle air control solenoid valve. <Ref. to FU(H4)-53 MT VEHICLES, REMOVAL, Idle Air Control Solenoid Valve.>



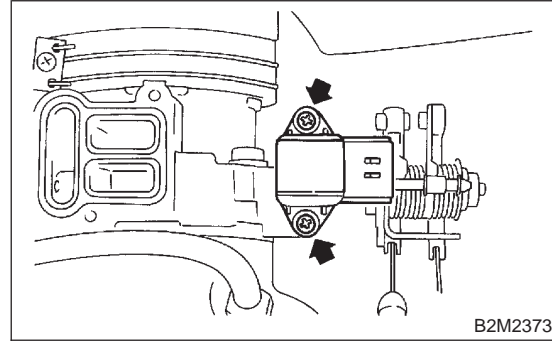
B2M2364

- 3) Disconnect connector from intake manifold pressure sensor.



B2M2372

- 4) Remove intake manifold pressure sensor from throttle body.



B2M2373

### B: INSTALLATION

S105568A11

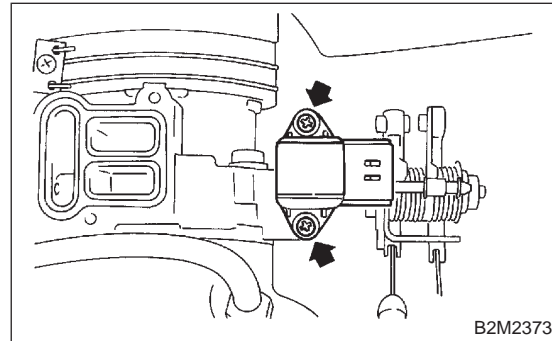
Install in the reverse order of removal.

#### CAUTION:

Replace gaskets for intake air pressure sensor and idle air control solenoid valve with new ones.

**Tightening torque:**

**2.8 N·m (0.29 kgf-m, 2.1 ft-lb)**



B2M2373